



Profile: HD CL 1

Height: 2 5/8"

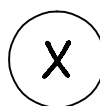
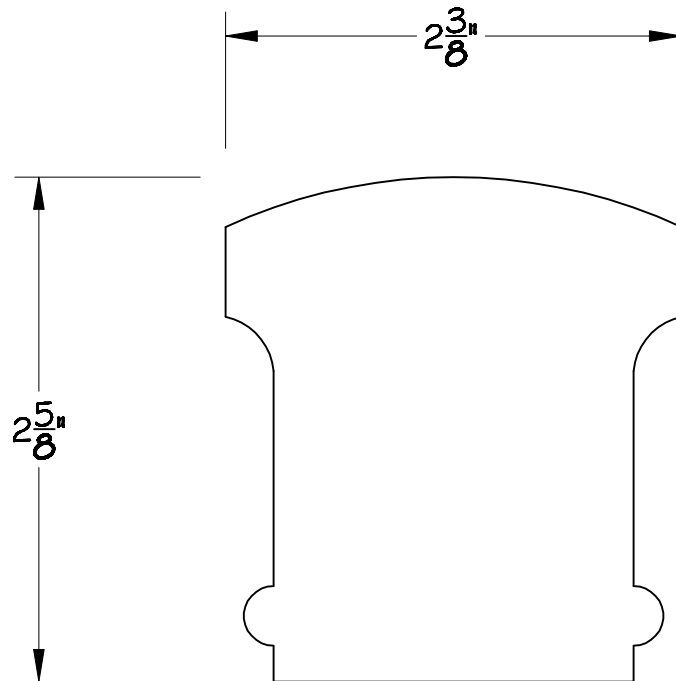
Width: 2 3/8"

Width Adjustable: YES

24E Dorset Mill Road
Exeter, R.I. 02822
Phone: (401) 294-2235
Fax: (401) 295-1086
www.hdistair.com

Notes:

THIS HANDRAIL PROFILE DOES NOT MEET TYPE II REQUIREMENTS BUT IT MAY BE DETERMINED BY THE BUILDING INSPECTOR THAT IT PROVIDES EQUIVALENT GRASPABILITY . CODE REFERENCE R311.7.8.3 GRIP-SIZE, 2012 IRC.



HD CL 1 RAIL PROFILE

FULL SCALE



Profile: HD CL 2

Height: 2 1/2"

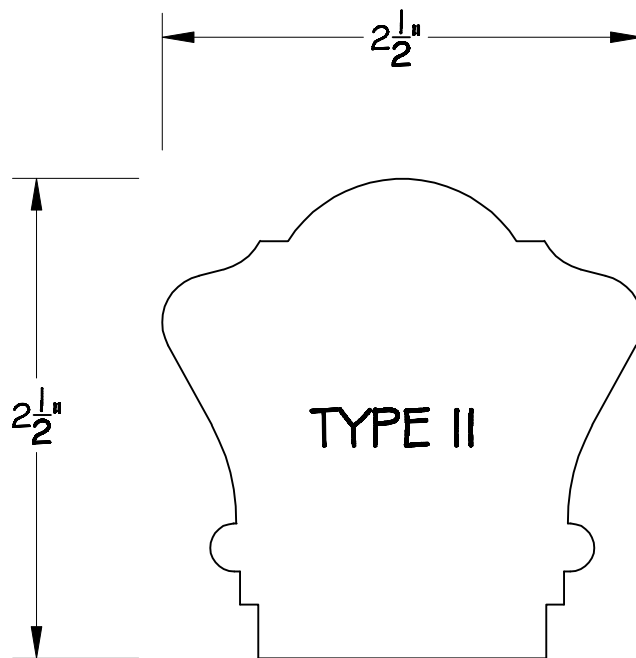
Width: 2 1/2"

Width Adjustable: YES

24E Dorset Mill Road
Exeter, R.I. 02822
Phone: (401) 294-2235
Fax: (401) 295-1086
www.hdistair.com

Notes:

THIS HANDRAIL PROFILE MEETS TYPE II
REQUIREMENTS. CODE REFERENCE
R311.7.8.3 GRIP-SIZE, 2012 IRC.



X HD CL 2 RAIL PROFILE
FULL SCALE



Profile: HD CL 3

Height: 2 1/4"

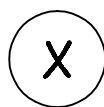
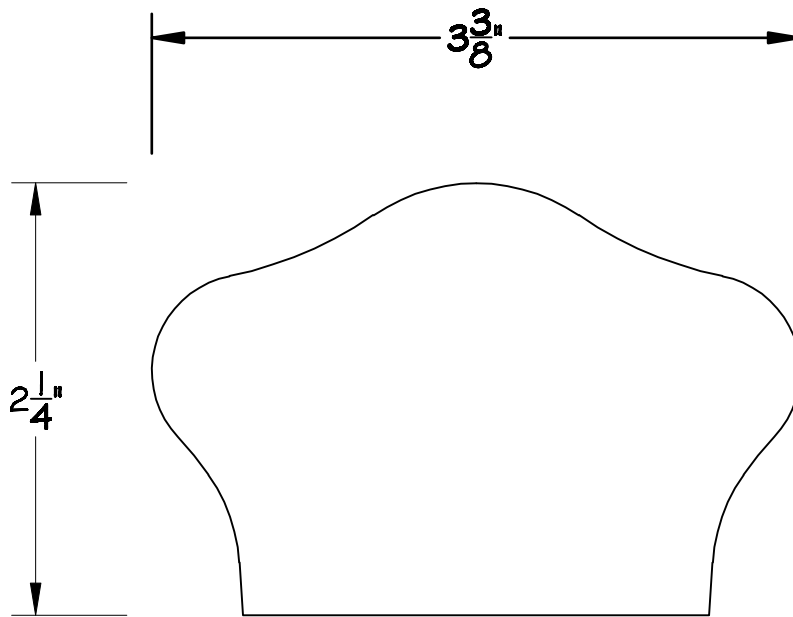
Width: 2 3/8"

Width Adjustable: yes but not preferred

24E Dorset Mill Road
Exeter, R.I. 02822
Phone: (401) 294-2235
Fax: (401) 295-1086
www.hdistair.com

Notes:

THIS HANDRAIL PROFILE DOES NOT MEET TYPE II REQUIREMENTS BUT IT MAY BE DETERMINED BY THE BUILDING INSPECTOR THAT IT PROVIDES EQUIVALENT GRASPABILITY . CODE REFERENCE R311.7.8.3 GRIP-SIZE, 2012 IRC.



HD CL 3 RAIL PROFILE

FULL SCALE



Profile: HD CL 4

Height: 2 3/4"

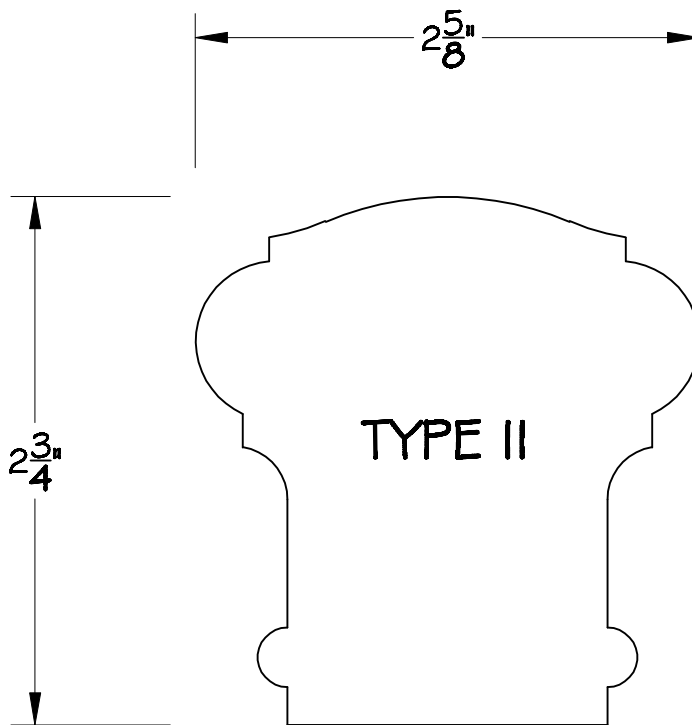
Width: 2 5/8"

Width Adjustable: YES different top

24E Dorset Mill Road
Exeter, R.I. 02822
Phone: (401) 294-2235
Fax: (401) 295-1086
www.hdistair.com

Notes:

THIS HANDRAIL PROFILE MEETS TYPE II
REQUIREMENTS. CODE REFERENCE
R311.7.8.3 GRIP-SIZE, 2012 IRC.



X HD CL 4 RAIL PROFILE
FULL SCALE



Profile: HD CL 5

Height: 3 5/16"

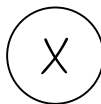
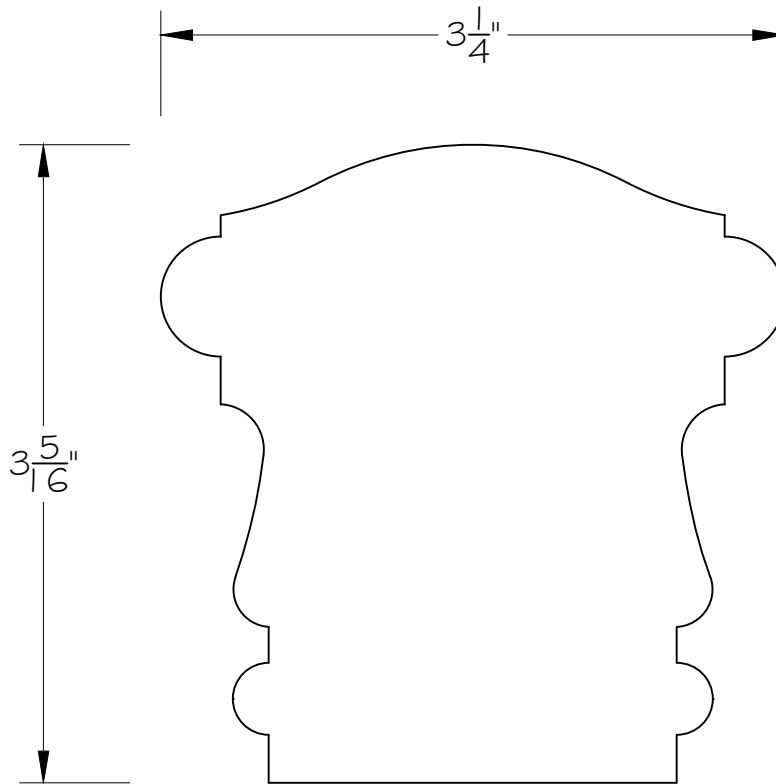
Width: 3 1/4"

Width Adjustable: yes

24E Dorset Mill Road
Exeter, R.I. 02822
Phone: (401) 294-2235
Fax: (401) 295-1086
www.hdistair.com

Notes:

THIS HANDRAIL PROFILE DOES NOT MEET TYPE II REQUIREMENTS BUT IT MAY BE DETERMINED BY THE BUILDING INSPECTOR THAT IT PROVIDES EQUIVALENT GRASPABILITY . CODE REFERENCE R311.7.8.3 GRIP-SIZE, 2012 IRC.



HD CL 5 RAIL PROFILE

FULL SCALE



Profile: HD CL 6

Height: 2 7/8"

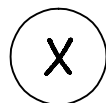
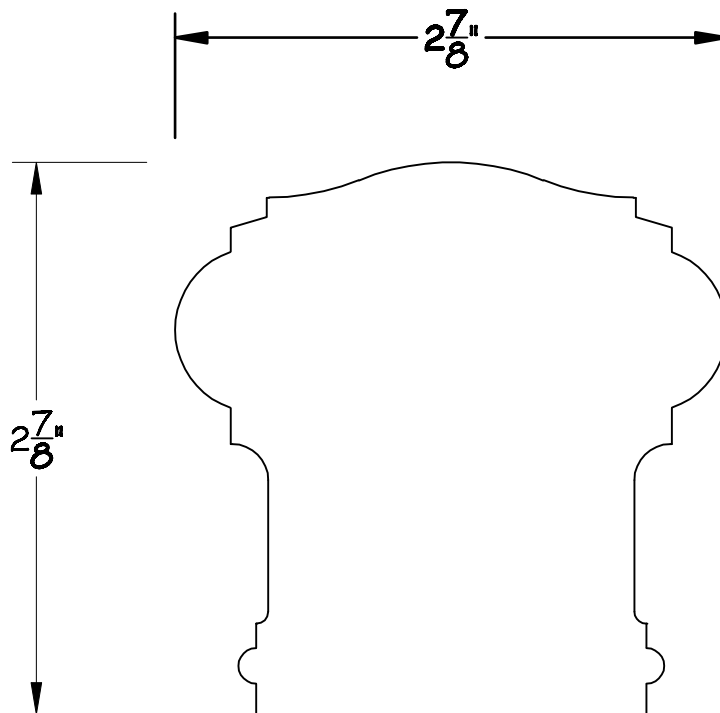
Width: 2 7/8"

Width Adjustable: YES

24E Dorset Mill Road
Exeter, R.I. 02822
Phone: (401) 294-2235
Fax: (401) 295-1086
www.hdistair.com

Notes:

THIS HANDRAIL PROFILE DOES NOT MEET TYPE II REQUIREMENTS BUT IT MAY BE DETERMINED BY THE BUILDING INSPECTOR THAT IT PROVIDES EQUIVALENT GRASPABILITY . CODE REFERENCE R311.7.8.3 GRIP-SIZE, 2012 IRC.



HD CL 6 RAIL PROFILE

FULL SCALE



Profile: HD CL 7

Height: 2 11/16"

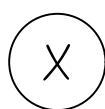
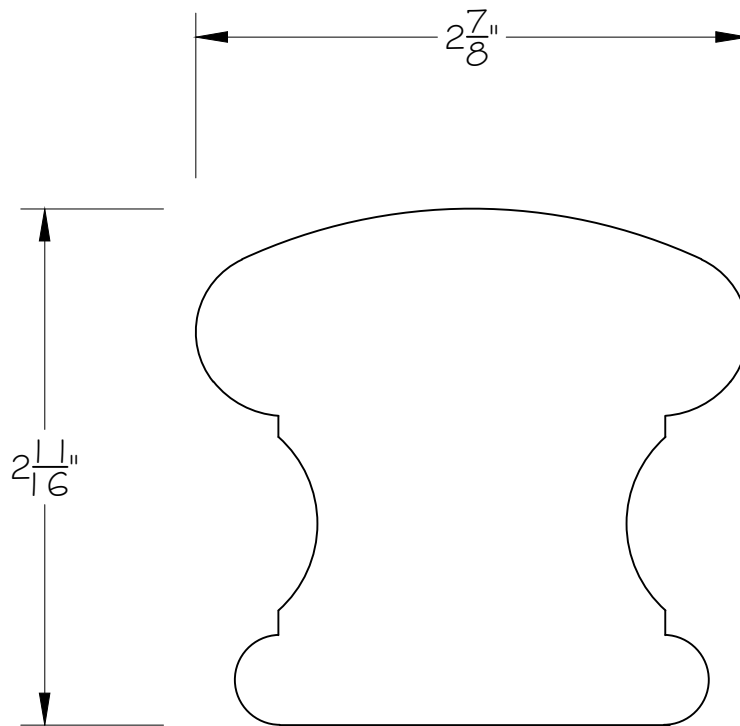
Width: 2 7/8"

Width Adjustable:

24E Dorset Mill Road
Exeter, R.I. 02822
Phone: (401) 294-2235
Fax: (401) 295-1086
www.hdistair.com

Notes:

THIS HANDRAIL PROFILE DOES NOT MEET TYPE II REQUIREMENTS BUT IT MAY BE DETERMINED BY THE BUILDING INSPECTOR THAT IT PROVIDES EQUIVALENT GRASPABILITY . CODE REFERENCE R311.7.8.3 GRIP-SIZE, 2012 IRC.



HD CL 7 RAIL PROFILE

FULL SCALE



Profile: HD CL 8

Height: 3 9/16"

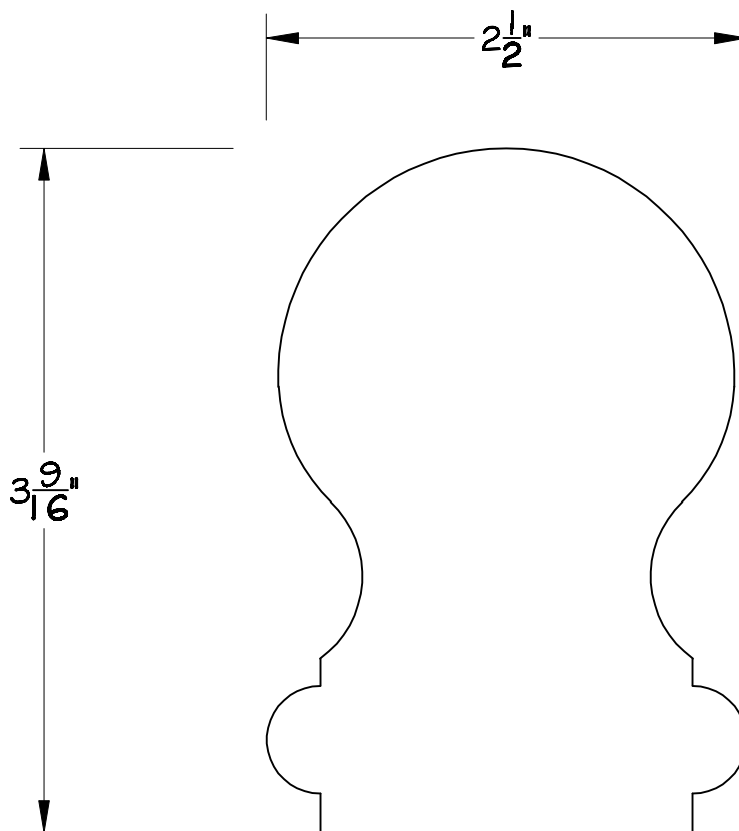
Width: 2 1/2"

Width Adjustable: NO

24E Dorset Mill Road
Exeter, R.I. 02822
Phone: (401) 294-2235
Fax: (401) 295-1086
www.hdistair.com

Notes:

THIS HANDRAIL PROFILE DOES NOT MEET TYPE II REQUIREMENTS BUT IT MAY BE DETERMINED BY THE BUILDING INSPECTOR THAT IT PROVIDES EQUIVALENT GRASPABILITY . CODE REFERENCE R311.7.8.3 GRIP-SIZE, 2012 IRC.



X HD CL 8 RAIL PROFILE
FULL SCALE



Profile: HD CL 9

Height: 3 3/4"

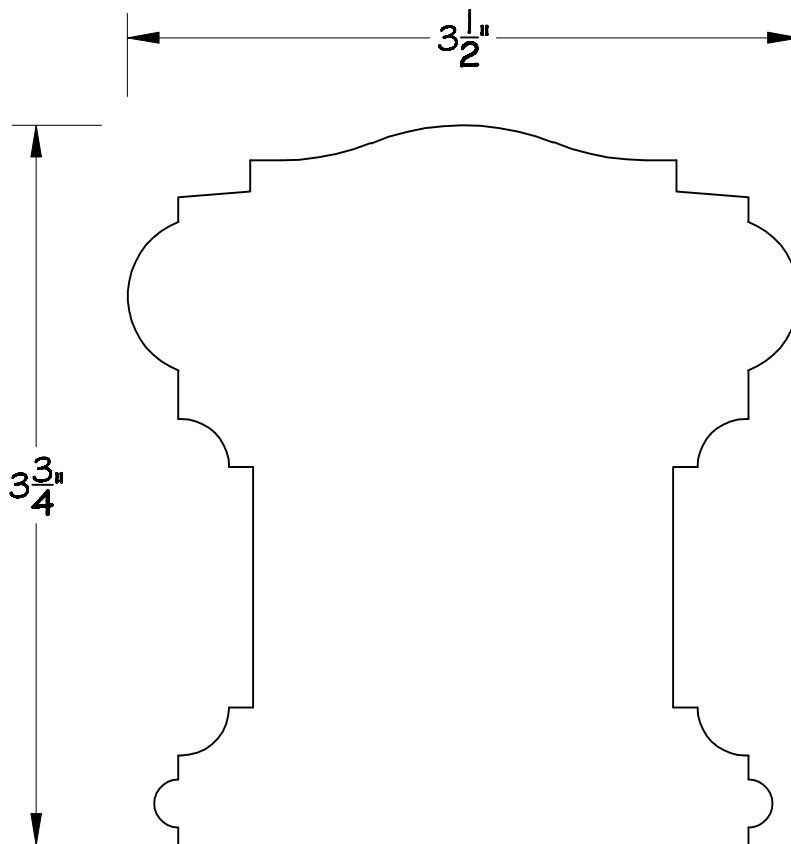
Width: 3 1/2"

Width Adjustable: YES

24E Dorset Mill Road
Exeter, R.I. 02822
Phone: (401) 294-2235
Fax: (401) 295-1086
www.hdistair.com

Notes:

THIS HANDRAIL PROFILE DOES NOT MEET TYPE II REQUIREMENTS BUT IT MAY BE DETERMINED BY THE BUILDING INSPECTOR THAT IT PROVIDES EQUIVALENT GRASPABILITY . CODE REFERENCE R311.7.8.3 GRIP-SIZE, 2012 IRC.



X HD CL 9 RAIL PROFILE
FULL SCALE



Profile: HD CL 10

Height: 2 1/4"

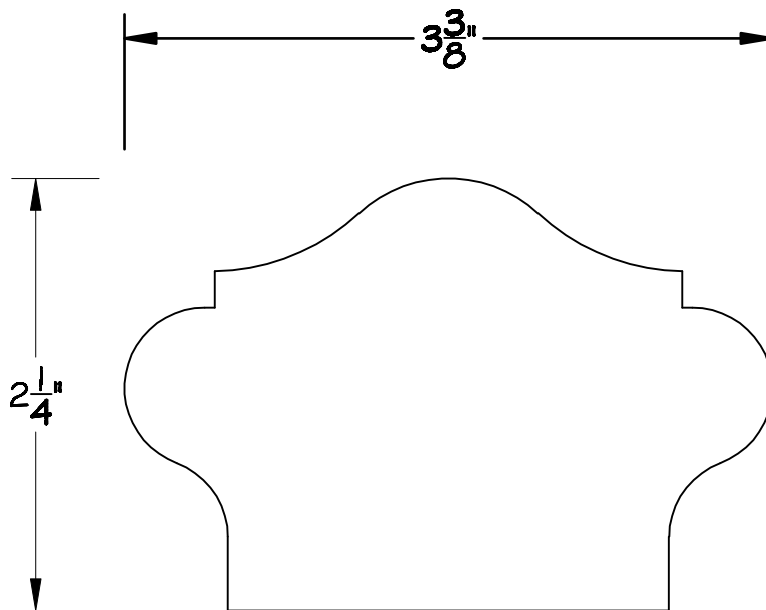
Width: 3 3/8"

Width Adjustable: NO

24E Dorset Mill Road
Exeter, R.I. 02822
Phone: (401) 294-2235
Fax: (401) 295-1086
www.hdistair.com

Notes:

THIS HANDRAIL PROFILE DOES NOT MEET TYPE II REQUIREMENTS BUT IT MAY BE DETERMINED BY THE BUILDING INSPECTOR THAT IT PROVIDES EQUIVALENT GRASPABILITY . CODE REFERENCE R311.7.8.3 GRIP-SIZE, 2012 IRC.



X HD CL 10 RAIL PROFILE
FULL SCALE



Profile: HD CL 11

Height: 3 1/4"

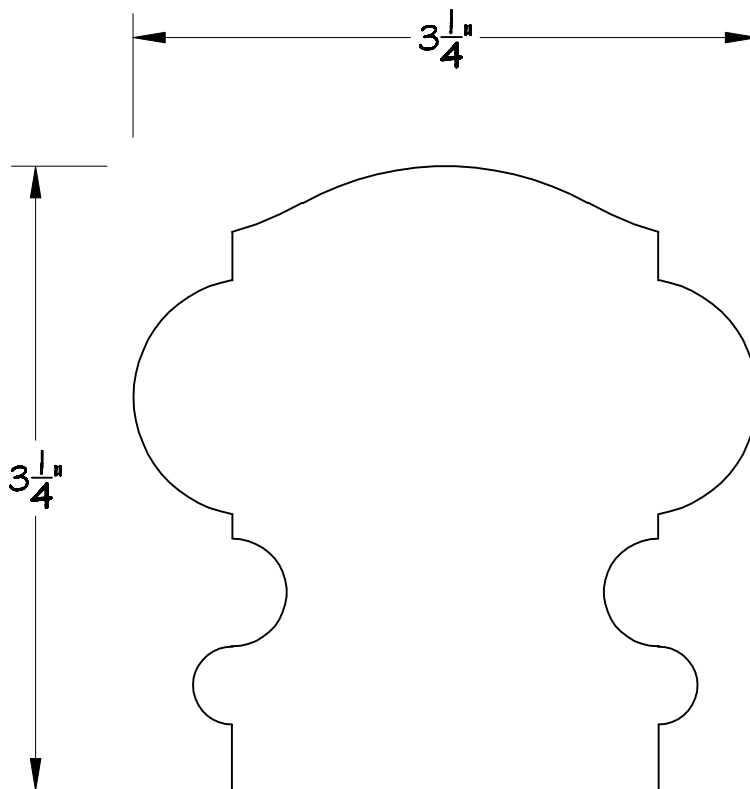
Width: 3 1/4"

Width Adjustable: NO

24E Dorset Mill Road
Exeter, R.I. 02822
Phone: (401) 294-2235
Fax: (401) 295-1086
www.hdistair.com

Notes:

THIS HANDRAIL PROFILE DOES NOT MEET TYPE II REQUIREMENTS BUT IT MAY BE DETERMINED BY THE BUILDING INSPECTOR THAT IT PROVIDES EQUIVALENT GRASPABILITY . CODE REFERENCE R311.7.8.3 GRIP-SIZE, 2012 IRC.



X HD CL 11 RAIL PROFILE
FULL SCALE



Profile: HD CL 12

Height: 3 7/16"

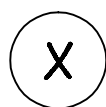
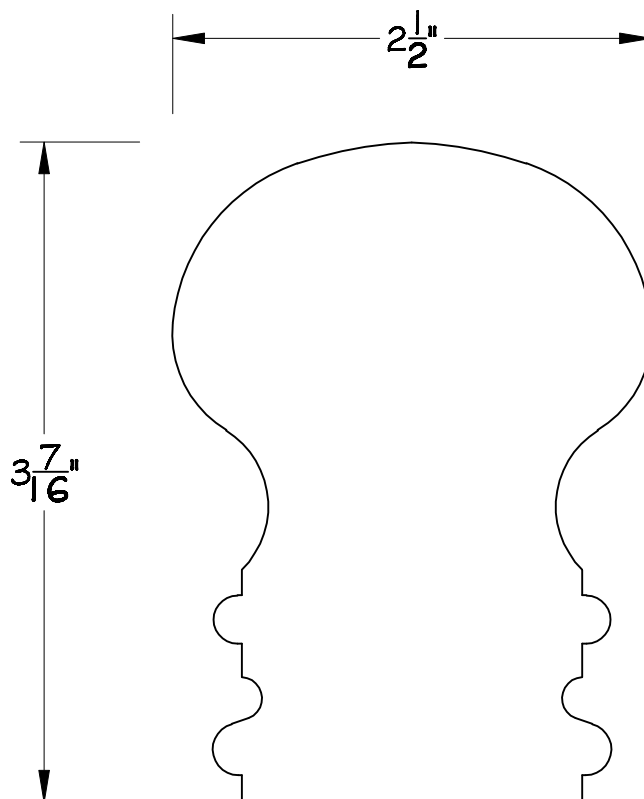
Width: 2 1/2"

Width Adjustable: No

24E Dorset Mill Road
Exeter, R.I. 02822
Phone: (401) 294-2235
Fax: (401) 295-1086
www.hdistair.com

Notes:

THIS HANDRAIL PROFILE DOES NOT MEET TYPE II REQUIREMENTS BUT IT MAY BE DETERMINED BY THE BUILDING INSPECTOR THAT IT PROVIDES EQUIVALENT GRASPABILITY . CODE REFERENCE R311.7.8.3 GRIP-SIZE, 2012 IRC.



HD CL 12 RAIL PROFILE

FULL SCALE



Profile: HD CL 13

Height: 1 11/16"

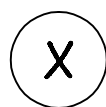
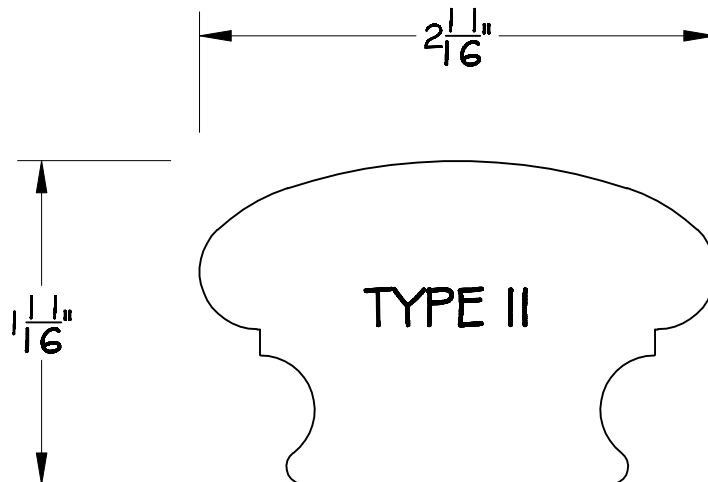
Width: 2 11/16"

Width Adjustable: No

24E Dorset Mill Road
Exeter, R.I. 02822
Phone: (401) 294-2235
Fax: (401) 295-1086
www.hdistair.com

Notes:

THIS HANDRAIL PROFILE MEETS TYPE II REQUIREMENTS. CODE REFERENCE R311.7.8.3 GRIP-SIZE, 2012 IRC.



HD CL 13 RAIL PROFILE

FULL SCALE



Profile: HD CL 14

Height: 4 1/2"

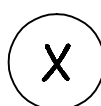
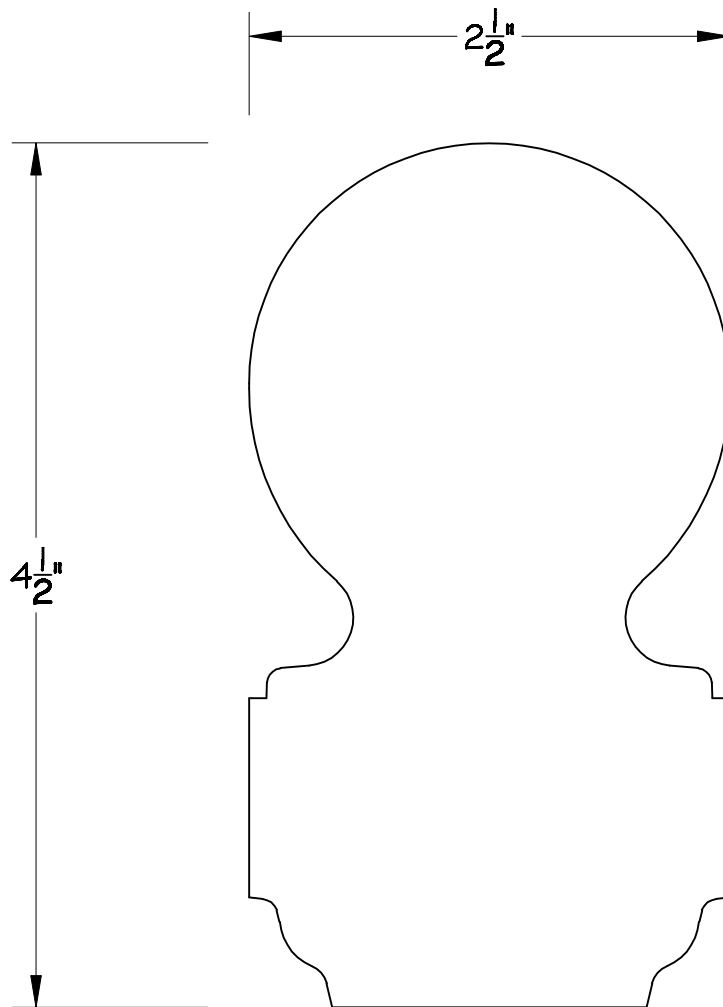
Width: 2 1/2"

Width Adjustable: No

24E Dorset Mill Road
Exeter, R.I. 02822
Phone: (401) 294-2235
Fax: (401) 295-1086
www.hdistair.com

Notes:

THIS HANDRAIL PROFILE DOES NOT MEET TYPE II REQUIREMENTS BUT IT MAY BE DETERMINED BY THE BUILDING INSPECTOR THAT IT PROVIDES EQUIVALENT GRASPABILITY . CODE REFERENCE R311.7.8.3 GRIP-SIZE, 2012 IRC.



HD CL 14 RAIL PROFILE

FULL SCALE



Profile: HD CL 15

Height: 4 1/2"

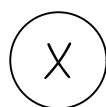
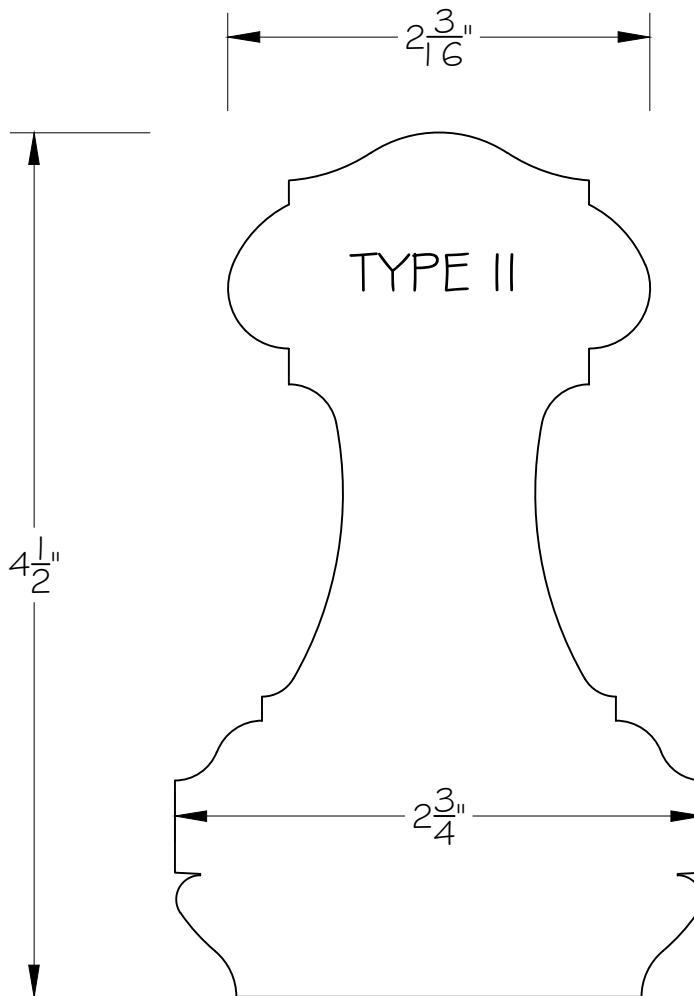
Width: 2 3/4"

Width Adjustable: YES

24E Dorset Mill Road
Exeter, R.I. 02822
Phone: (401) 294-2235
Fax: (401) 295-1086
www.hdistair.com

Notes:

THIS HANDRAIL PROFILE MEETS TYPE II REQUIREMENTS. CODE REFERENCE R311.7.8.3 GRIP-SIZE, 2012 IRC.



HD CL 15 RAIL PROFILE

FULL SCALE



Profile: HD CL 16

Height: 2 3/8"

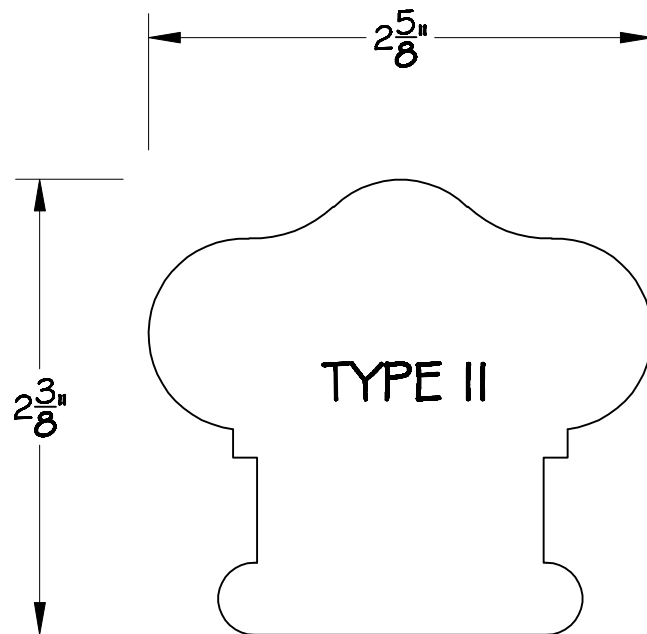
Width: 2 5/8"

Width Adjustable: No

24E Dorset Mill Road
Exeter, R.I. 02822
Phone: (401) 294-2235
Fax: (401) 295-1086
www.hdistair.com

Notes:

THIS HANDRAIL PROFILE MEETS TYPE II REQUIREMENTS. CODE REFERENCE R311.7.8.3 GRIP-SIZE, 2012 IRC.



X HD CL 16 RAIL PROFILE
FULL SCALE



Profile: HD CL 17

Height: $2 \frac{7}{8}$ "

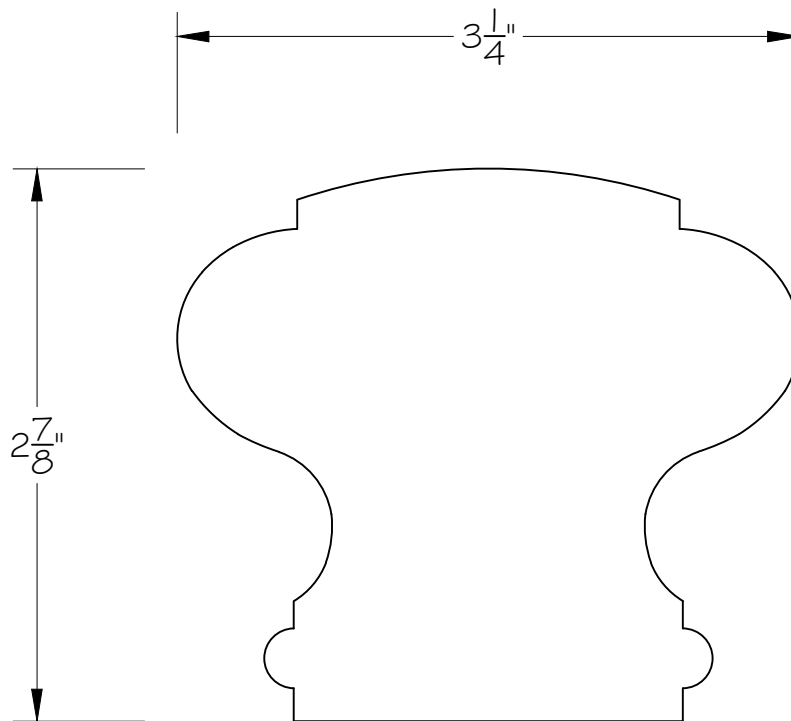
Width: $3 \frac{1}{4}$ "

Width Adjustable: No

24E Dorset Mill Road
Exeter, R.I. 02822
Phone: (401) 294-2235
Fax: (401) 295-1086
www.hdistair.com

Notes:

THIS HANDRAIL PROFILE DOES NOT MEET TYPE II REQUIREMENTS BUT IT MAY BE DETERMINED BY THE BUILDING INSPECTOR THAT IT PROVIDES EQUIVALENT GRASPABILITY . CODE REFERENCE R311.7.8.3 GRIP-SIZE, 2012 IRC.



(X) HD CL 17 RAIL PROFILE
FULL SCALE



Profile: HD CL 18

Height: 2 7/8"

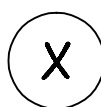
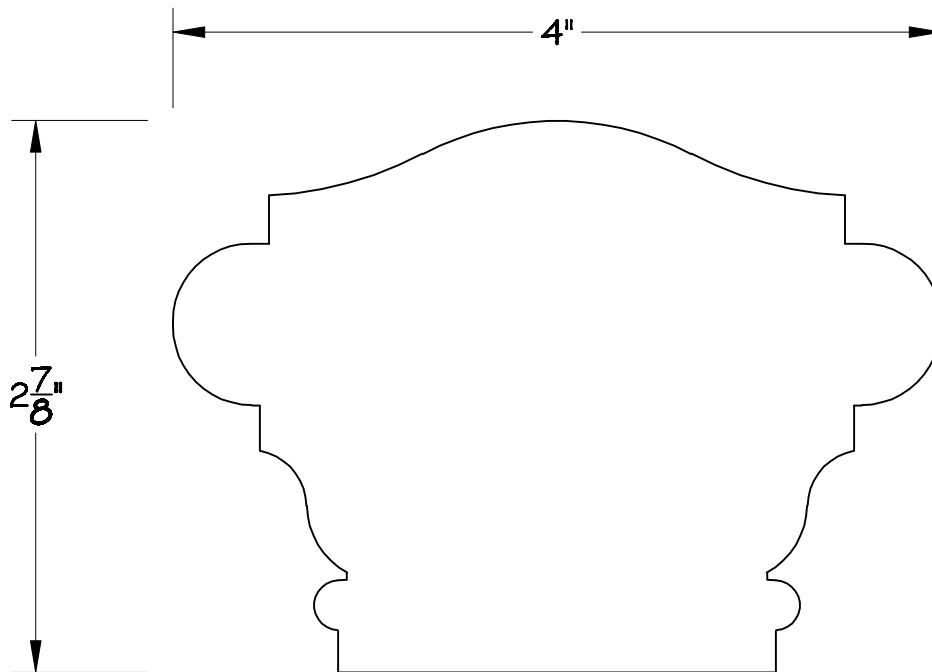
Width: 4"

Width Adjustable: YES

24E Dorset Mill Road
Exeter, R.I. 02822
Phone: (401) 294-2235
Fax: (401) 295-1086
www.hdistair.com

Notes:

THIS HANDRAIL PROFILE DOES NOT MEET TYPE II REQUIREMENTS BUT IT MAY BE DETERMINED BY THE BUILDING INSPECTOR THAT IT PROVIDES EQUIVALENT GRASPABILITY . CODE REFERENCE R311.7.8.3 GRIP-SIZE, 2012 IRC.



HD CL 18 RAIL PROFILE

FULL SCALE



Profile: HD CL 19

Height: 3 3/4"

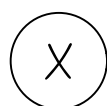
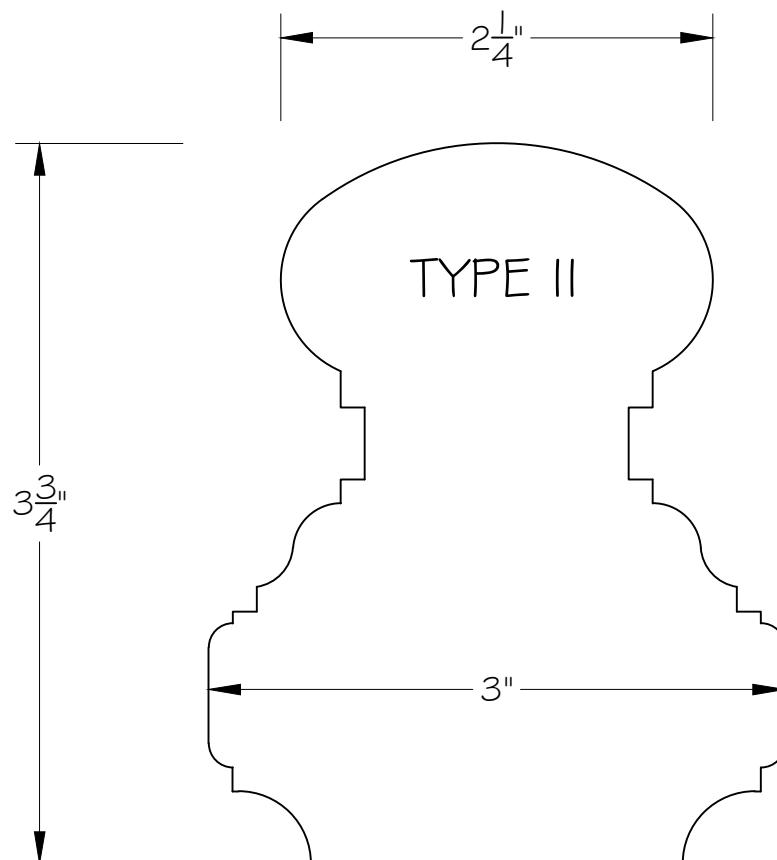
Width: 3"

Width Adjustable: No

24E Dorset Mill Road
Exeter, R.I. 02822
Phone: (401) 294-2235
Fax: (401) 295-1086
www.hdistair.com

Notes:

THIS HANDRAIL PROFILE MEETS TYPE II REQUIREMENTS. CODE REFERENCE R311.7.8.3 GRIP-SIZE, 2012 IRC.



HD CL 19 RAIL PROFILE

FULL SCALE



Profile: HD CL 20 3"

Height: 3"

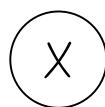
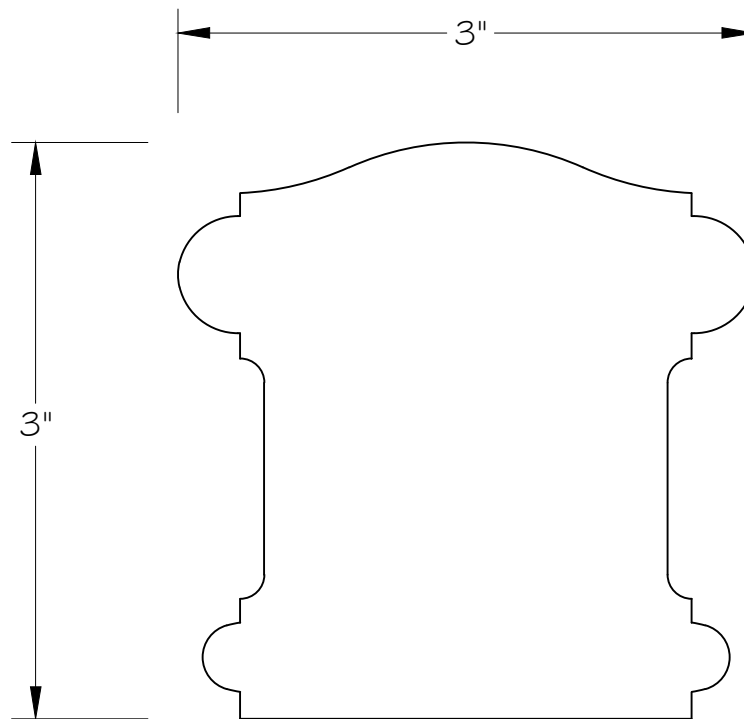
Width: 3"

Width Adjustable: No

24E Dorset Mill Road
Exeter, R.I. 02822
Phone: (401) 294-2235
Fax: (401) 295-1086
www.hdistair.com

Notes:

THIS HANDRAIL PROFILE DOES NOT MEET TYPE II REQUIREMENTS BUT IT MAY BE DETERMINED BY THE BUILDING INSPECTOR THAT IT PROVIDES EQUIVALENT GRASPABILITY . CODE REFERENCE R311.7.8.3 GRIP-SIZE, 2012 IRC.



HD CL 20 3" RAIL PROFILE

FULL SCALE



Profile: HD CL 20

Height: 3"

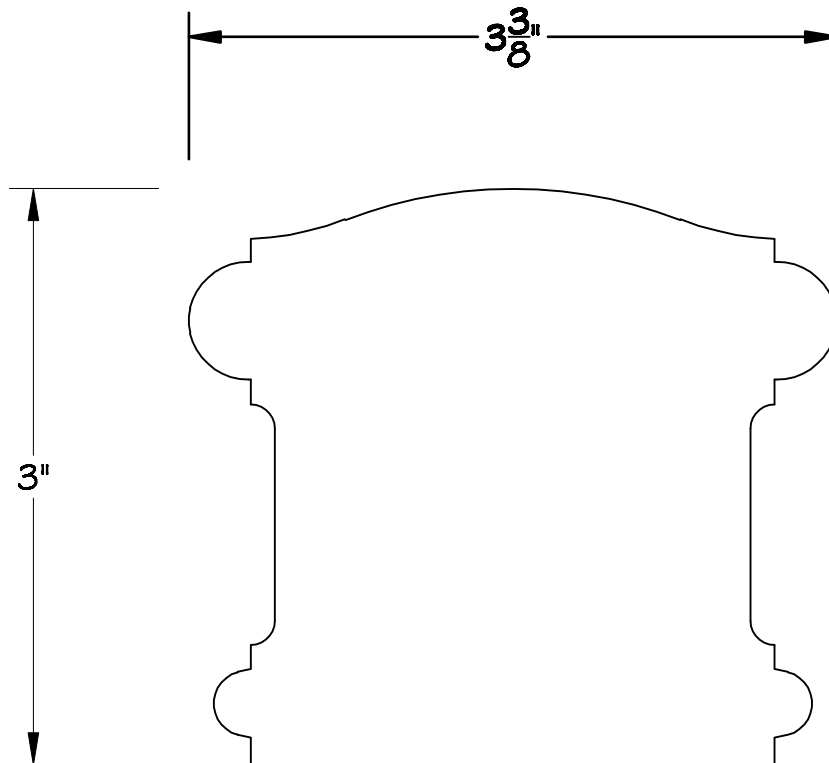
Width: 3 3/8"

Width Adjustable: Yes

24E Dorset Mill Road
Exeter, R.I. 02822
Phone: (401) 294-2235
Fax: (401) 295-1086
www.hdistair.com

Notes:

THIS HANDRAIL PROFILE DOES NOT MEET TYPE II REQUIREMENTS BUT IT MAY BE DETERMINED BY THE BUILDING INSPECTOR THAT IT PROVIDES EQUIVALENT GRASPABILITY . CODE REFERENCE R311.7.8.3 GRIP-SIZE, 2012 IRC.



X HD CL 20 RAIL PROFILE
FULL SCALE



Profile: HD CL 21

Height: 2 3/4"

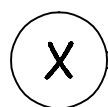
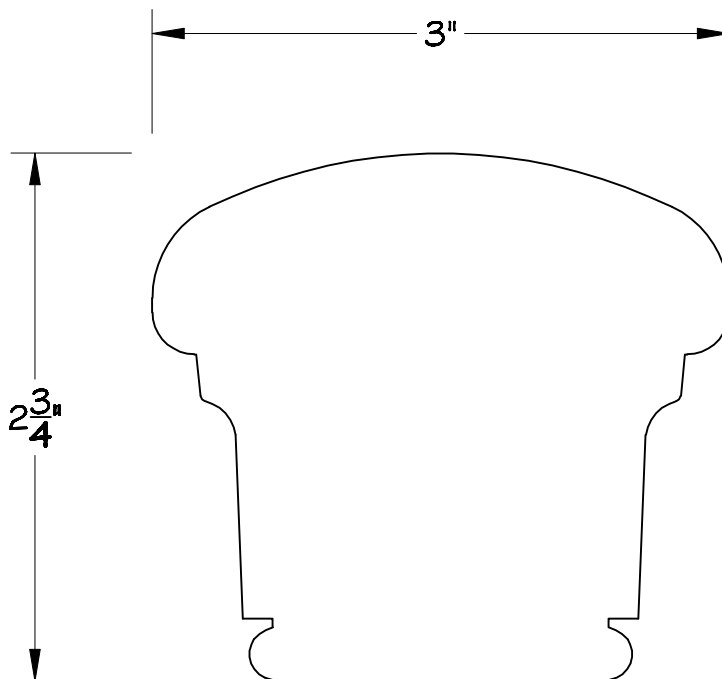
Width: 3"

Width Adjustable: Yes

24E Dorset Mill Road
Exeter, R.I. 02822
Phone: (401) 294-2235
Fax: (401) 295-1086
www.hdistair.com

Notes:

THIS HANDRAIL PROFILE DOES NOT MEET TYPE II REQUIREMENTS BUT IT MAY BE DETERMINED BY THE BUILDING INSPECTOR THAT IT PROVIDES EQUIVALENT GRASPABILITY . CODE REFERENCE R311.7.8.3 GRIP-SIZE, 2012 IRC.



HD CL 21 RAIL PROFILE

FULL SCALE



Profile: HD CL 22

Height: $2 \frac{5}{8}$ "

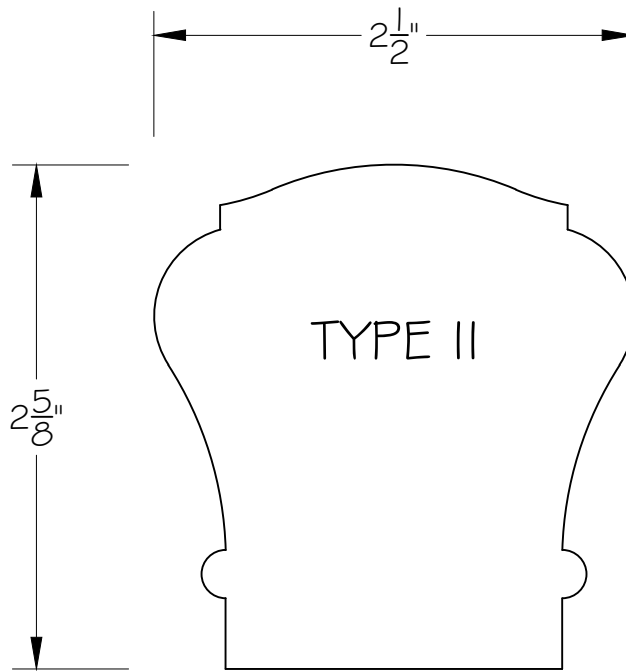
Width: $2 \frac{1}{2}$ "

Width Adjustable: Yes

24E Dorset Mill Road
Exeter, R.I. 02822
Phone: (401) 294-2235
Fax: (401) 295-1086
www.hdistair.com

Notes:

THIS HANDRAIL PROFILE MEETS TYPE II REQUIREMENTS. CODE REFERENCE R311.7.8.3 GRIP-SIZE, 2012 IRC.



X HD CL 22 RAIL PROFILE
FULL SCALE



Profile: HD CL 23

Height: 3 5/8"

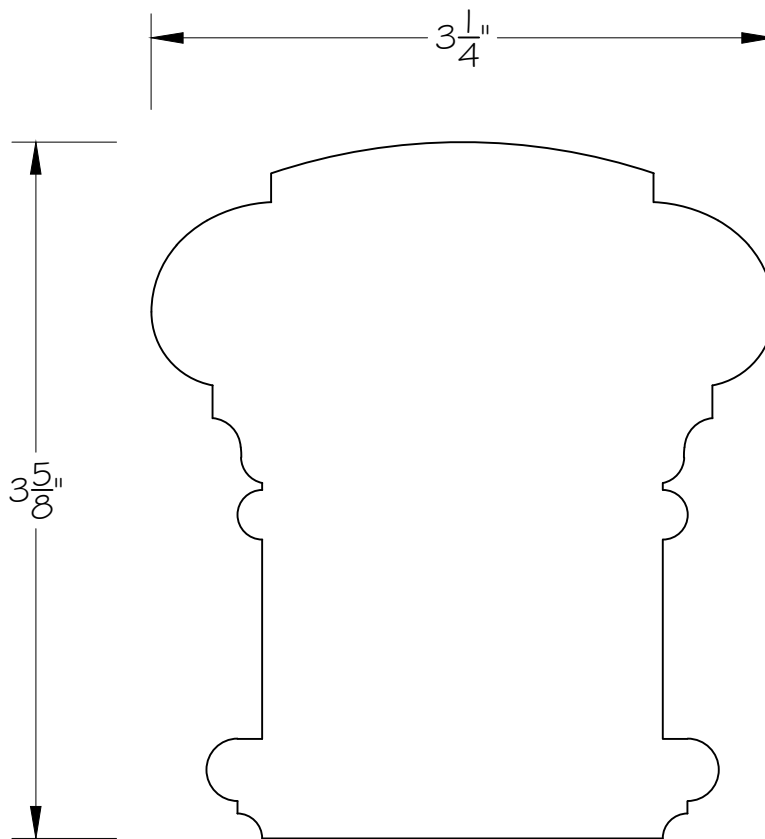
Width: 3 1/4"

Width Adjustable: No

24E Dorset Mill Road
Exeter, R.I. 02822
Phone: (401) 294-2235
Fax: (401) 295-1086
www.hdistair.com

Notes:

THIS HANDRAIL PROFILE DOES NOT MEET TYPE II REQUIREMENTS BUT IT MAY BE DETERMINED BY THE BUILDING INSPECTOR THAT IT PROVIDES EQUIVALENT GRASPABILITY . CODE REFERENCE R311.7.8.3 GRIP-SIZE, 2012 IRC.



(X) HD CL 23 RAIL PROFILE
FULL SCALE



Profile: HD CL 24

Height: $4 \frac{11}{16}$ "

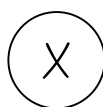
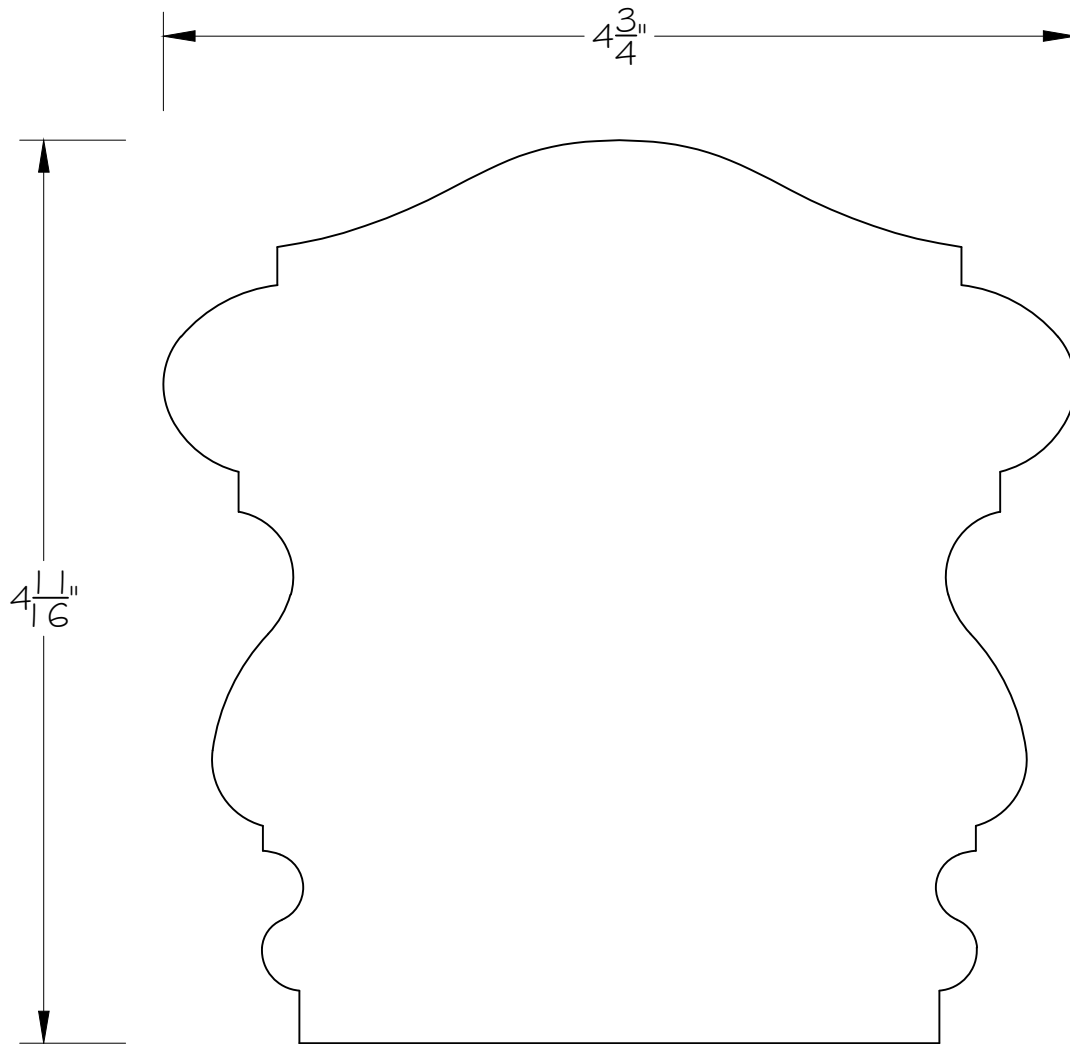
Width: $4 \frac{3}{4}$ "

Width Adjustable: Yes

24E Dorset Mill Road
Exeter, R.I. 02822
Phone: (401) 294-2235
Fax: (401) 295-1086
www.hdistair.com

Notes:

THIS HANDRAIL PROFILE DOES NOT MEET TYPE II REQUIREMENTS BUT IT MAY BE DETERMINED BY THE BUILDING INSPECTOR THAT IT PROVIDES EQUIVALENT GRASPABILITY . CODE REFERENCE R311.7.8.3 GRIP-SIZE, 2012 IRC.



HD CL 24 RAIL PROFILE

FULL SCALE



Profile: HD CL 25

Height: $3 \frac{7}{8}$ "

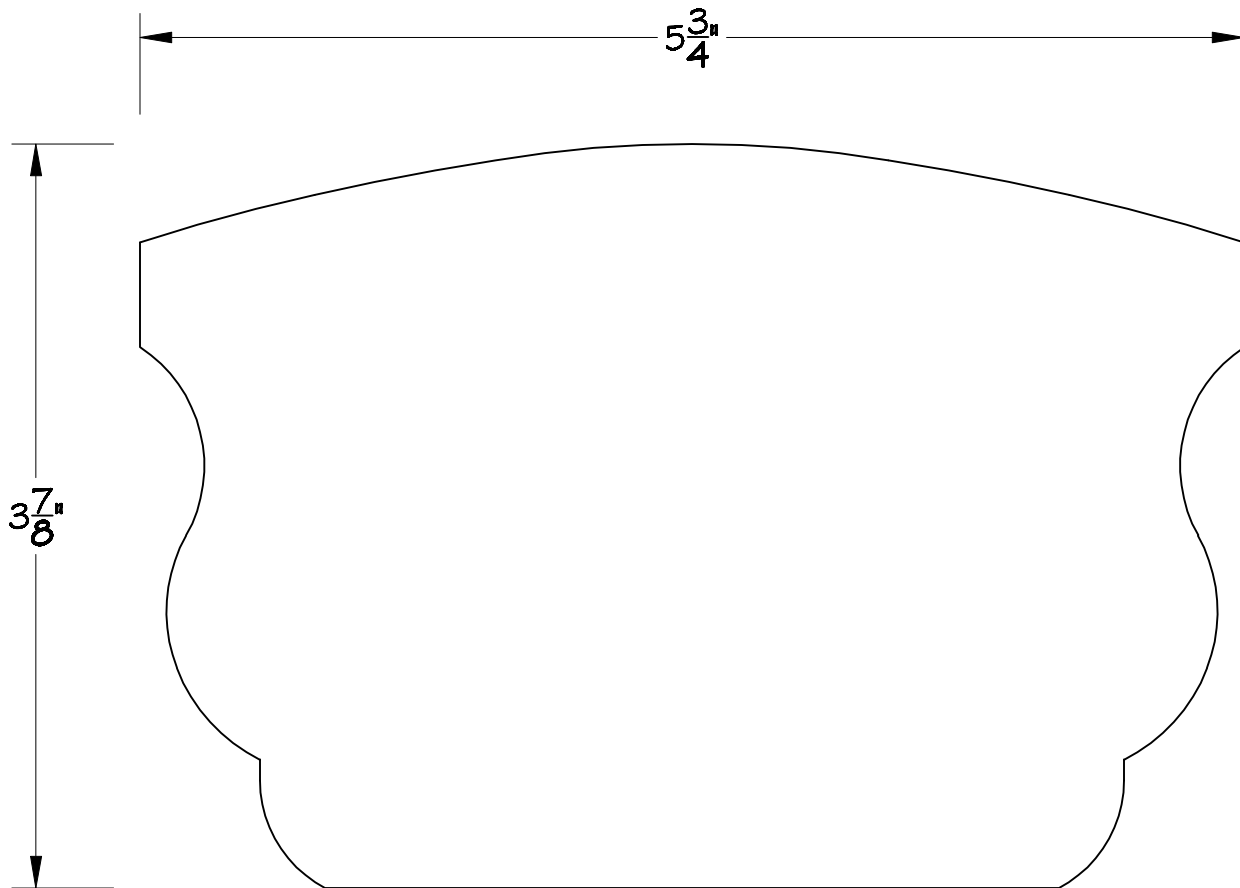
Width: $5 \frac{3}{4}$ "

Width Adjustable: Yes slightly

24E Dorset Mill Road
Exeter, R.I. 02822
Phone: (401) 294-2235
Fax: (401) 295-1086
www.hdistair.com

Notes:

THIS HANDRAIL PROFILE DOES NOT MEET TYPE II REQUIREMENTS BUT IT MAY BE DETERMINED BY THE BUILDING INSPECTOR THAT IT PROVIDES EQUIVALENT GRASPABILITY . CODE REFERENCE R311.7.8.3 GRIP-SIZE, 2012 IRC.



X HD CL 25 RAIL PROFILE
FULL SCALE



Profile: HD CL 26

Height: 3 1/2"

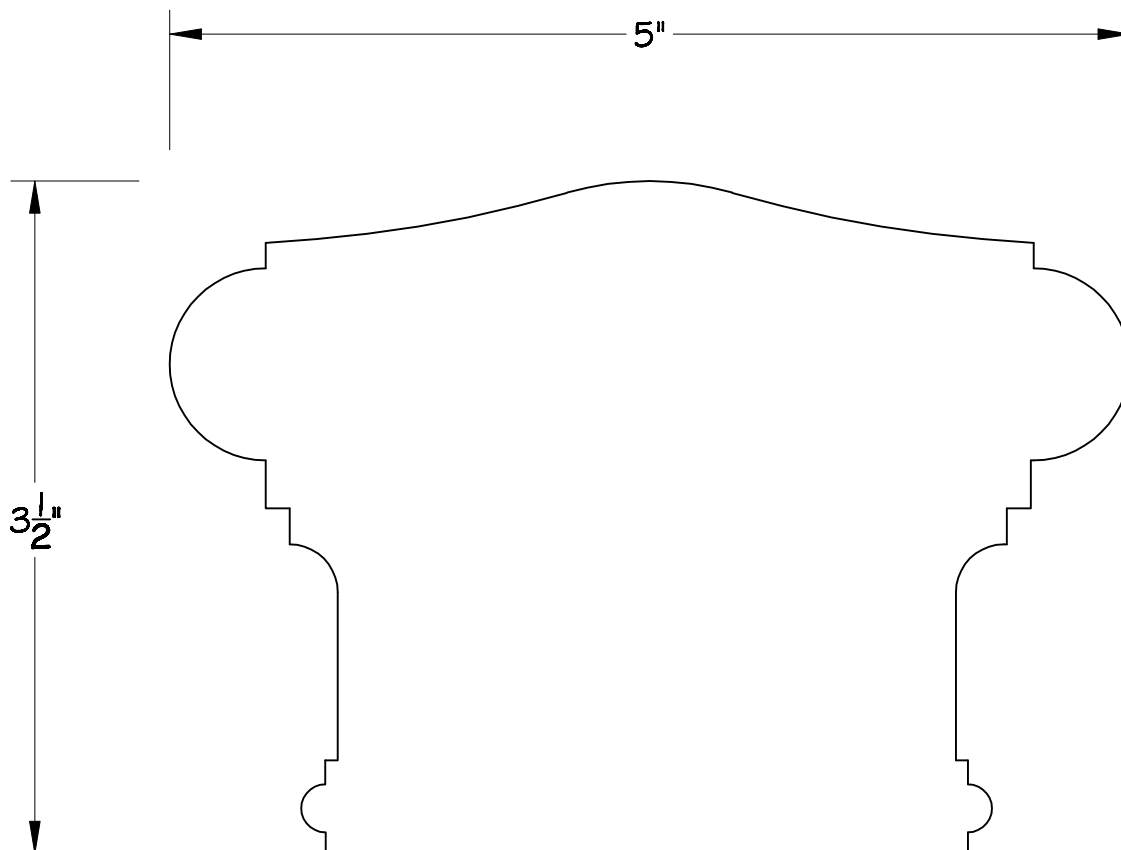
Width: 5"

Width Adjustable: No

24E Dorset Mill Road
Exeter, R.I. 02822
Phone: (401) 294-2235
Fax: (401) 295-1086
www.hdistair.com

Notes:

THIS HANDRAIL PROFILE DOES NOT MEET TYPE II REQUIREMENTS BUT IT MAY BE DETERMINED BY THE BUILDING INSPECTOR THAT IT PROVIDES EQUIVALENT GRASPABILITY . CODE REFERENCE R311.7.8.3 GRIP-SIZE, 2012 IRC.



X HD CL 26 RAIL PROFILE
FULL SCALE



Profile: HD CL 27

Height: $2 \frac{3}{8}$ "

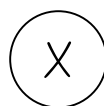
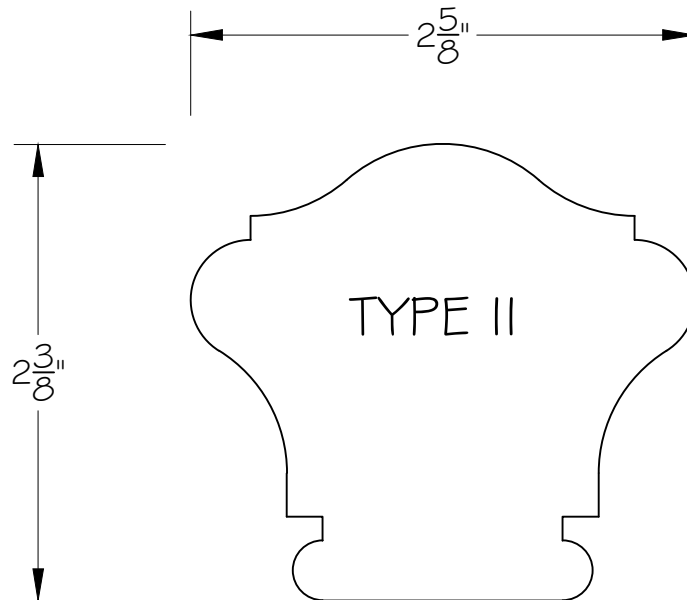
Width: $2 \frac{5}{8}$ "

Width Adjustable: No

24E Dorset Mill Road
Exeter, R.I. 02822
Phone: (401) 294-2235
Fax: (401) 295-1086
www.hdistair.com

Notes:

THIS HANDRAIL PROFILE MEETS TYPE II REQUIREMENTS. CODE REFERENCE R311.7.8.3 GRIP-SIZE, 2012 IRC.



HD CL 27 RAIL PROFILE

FULL SCALE



Profile: HD CL 28

Height: 2 1/4"

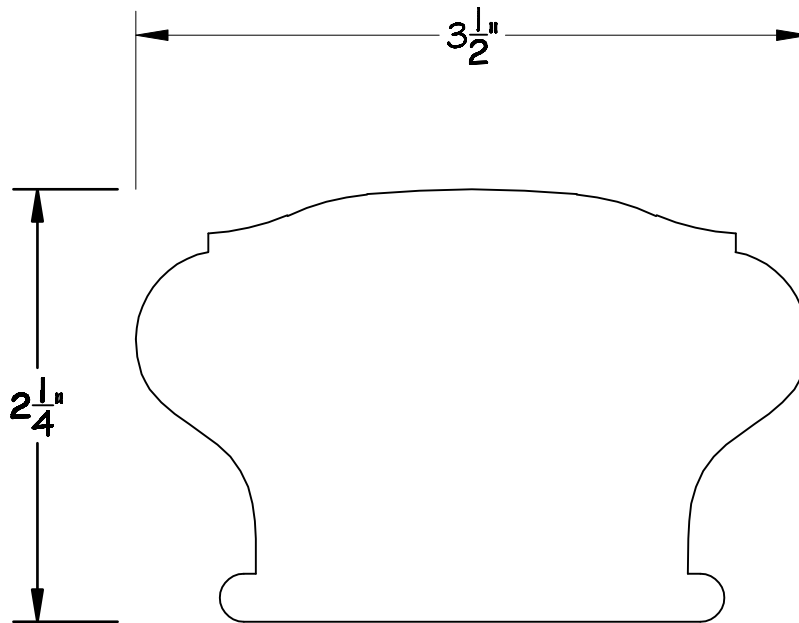
Width: 3 1/2"

Width Adjustable: Yes

24E Dorset Mill Road
Exeter, R.I. 02822
Phone: (401) 294-2235
Fax: (401) 295-1086
www.hdistair.com

Notes:

THIS HANDRAIL PROFILE DOES NOT MEET TYPE II REQUIREMENTS BUT IT MAY BE DETERMINED BY THE BUILDING INSPECTOR THAT IT PROVIDES EQUIVALENT GRASPABILITY . CODE REFERENCE R311.7.8.3 GRIP-SIZE, 2012 IRC.



X HD CL 28 RAIL PROFILE
FULL SCALE



Profile: HD CL 29

Height: 2 1/8"

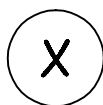
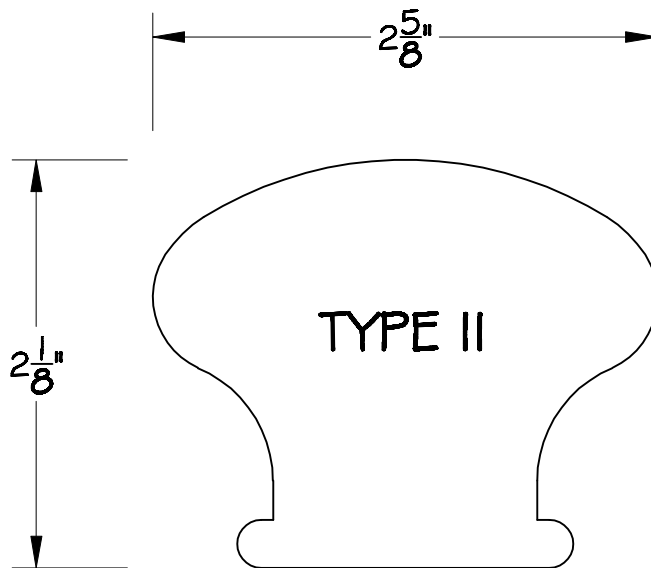
Width: 2 5/8"

Width Adjustable: No

24E Dorset Mill Road
Exeter, R.I. 02822
Phone: (401) 294-2235
Fax: (401) 295-1086
www.hdistair.com

Notes:

THIS HANDRAIL PROFILE MEETS TYPE II REQUIREMENTS. CODE REFERENCE R311.7.8.3 GRIP-SIZE, 2012 IRC.



HD CL 29 RAIL PROFILE

FULL SCALE



Profile: HD CL 30

Height: $3 \frac{1}{8}$ "

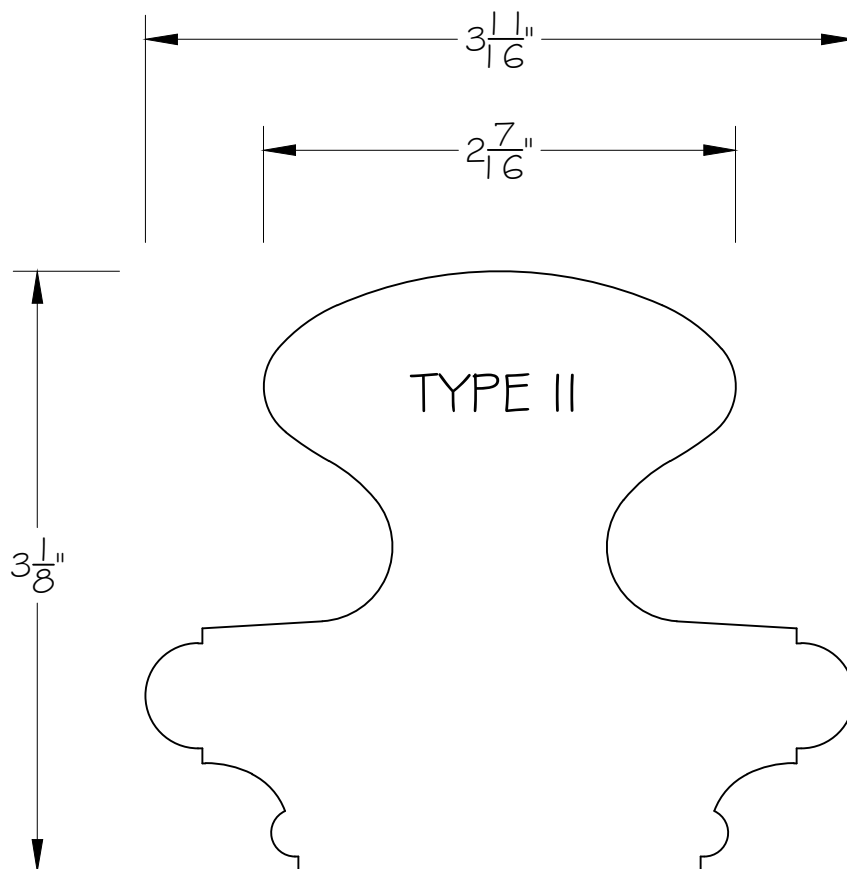
Width: $3 \frac{11}{16}$ "

Width Adjustable: Yes

24E Dorset Mill Road
Exeter, R.I. 02822
Phone: (401) 294-2235
Fax: (401) 295-1086
www.hdistair.com

Notes:

THIS HANDRAIL PROFILE MEETS TYPE II REQUIREMENTS. CODE REFERENCE R311.7.8.3 GRIP-SIZE, 2012 IRC.



(X) HD CL 30 RAIL PROFILE
FULL SCALE



Profile: HD CL 31

Height: 2 5/16"

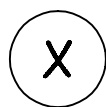
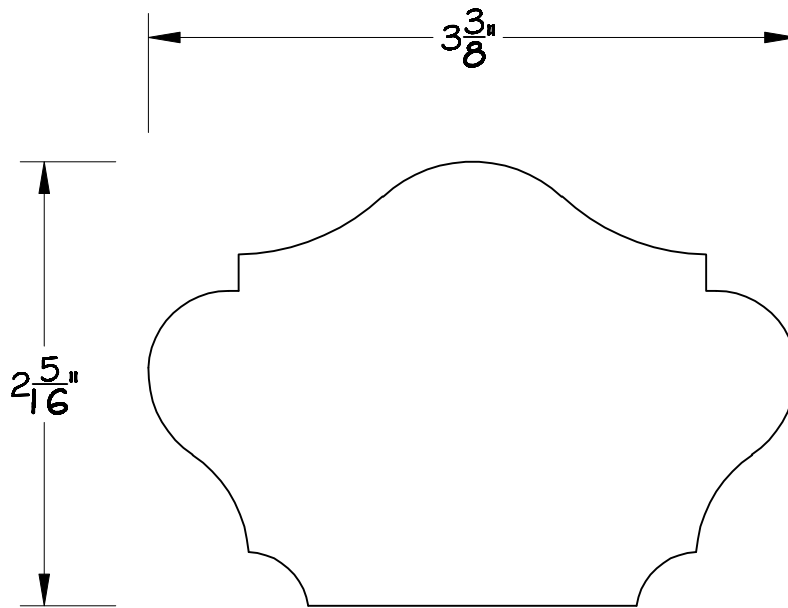
Width: 3 3/8"

Width Adjustable: Yes

24E Dorset Mill Road
Exeter, R.I. 02822
Phone: (401) 294-2235
Fax: (401) 295-1086
www.hdistair.com

Notes:

THIS HANDRAIL PROFILE DOES NOT MEET TYPE II REQUIREMENTS BUT IT MAY BE DETERMINED BY THE BUILDING INSPECTOR THAT IT PROVIDES EQUIVALENT GRASPABILITY . CODE REFERENCE R311.7.8.3 GRIP-SIZE, 2012 IRC.



HD CL 31 RAIL PROFILE

FULL SCALE



Profile: HD CL 32

Height: 3 3/8"

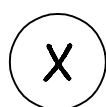
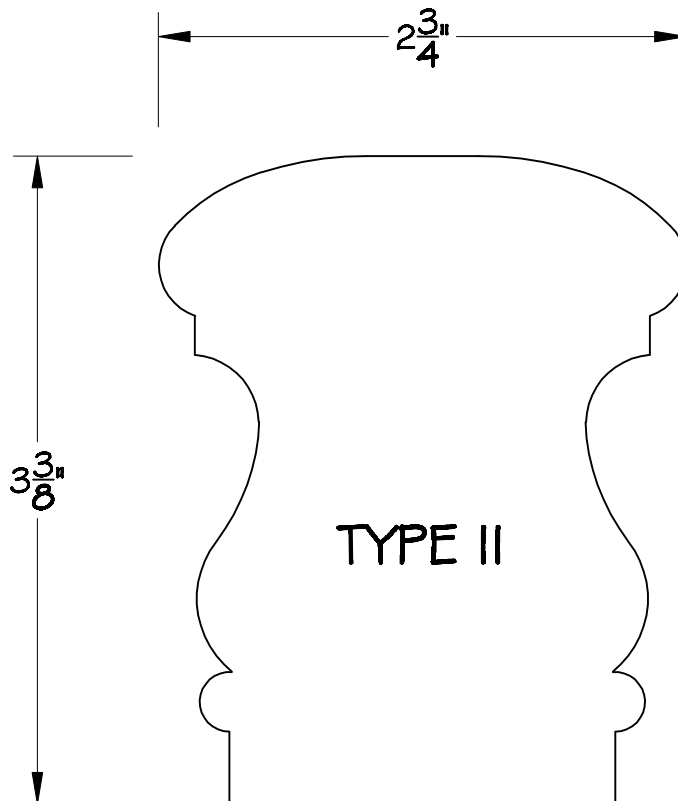
Width: 2 3/4"

Width Adjustable: Yes

24E Dorset Mill Road
Exeter, R.I. 02822
Phone: (401) 294-2235
Fax: (401) 295-1086
www.hdistair.com

Notes:

THIS HANDRAIL PROFILE MEETS TYPE II REQUIREMENTS. CODE REFERENCE R311.7.8.3 GRIP-SIZE, 2012 IRC.



HD CL 32 RAIL PROFILE

FULL SCALE



Profile: HD CL 33

Height: 3 1/4"

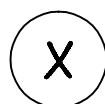
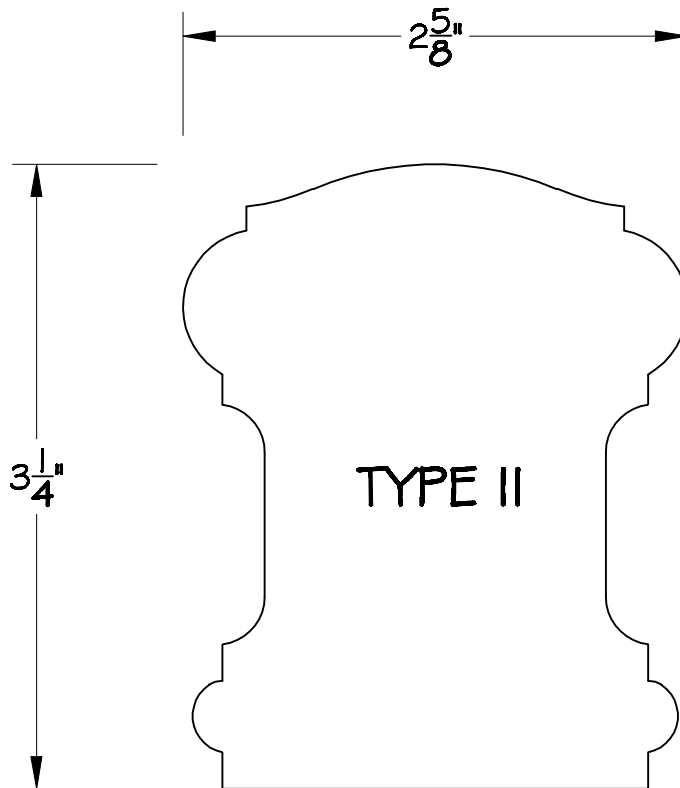
Width: 2 5/8"

Width Adjustable: No

24E Dorset Mill Road
Exeter, R.I. 02822
Phone: (401) 294-2235
Fax: (401) 295-1086
www.hdistair.com

Notes:

THIS HANDRAIL PROFILE MEETS TYPE II
REQUIREMENTS. CODE REFERENCE
R311.7.8.3 GRIP-SIZE, 2012 IRC.



HD CL 33 RAIL PROFILE

FULL SCALE



Profile: HD CL 34

Height: 2 5/8"

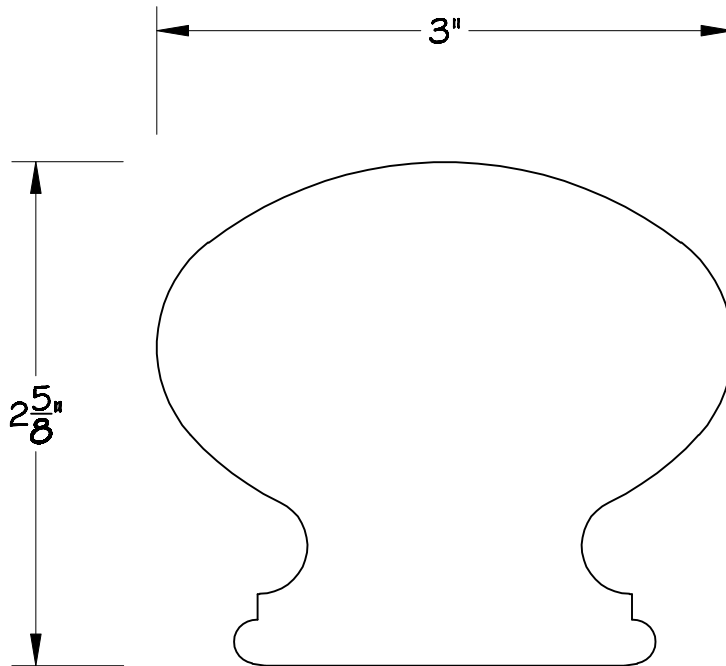
Width: 3"

Width Adjustable: +/- 1/4"

24E Dorset Mill Road
Exeter, R.I. 02822
Phone: (401) 294-2235
Fax: (401) 295-1086
www.hdistair.com

Notes:

THIS HANDRAIL PROFILE DOES NOT MEET TYPE II REQUIREMENTS BUT IT MAY BE DETERMINED BY THE BUILDING INSPECTOR THAT IT PROVIDES EQUIVALENT GRASPABILITY . CODE REFERENCE R311.7.8.3 GRIP-SIZE, 2012 IRC.



X HD CL 34 RAIL PROFILE
FULL SCALE



Profile: HD CL 35

Height: 3"

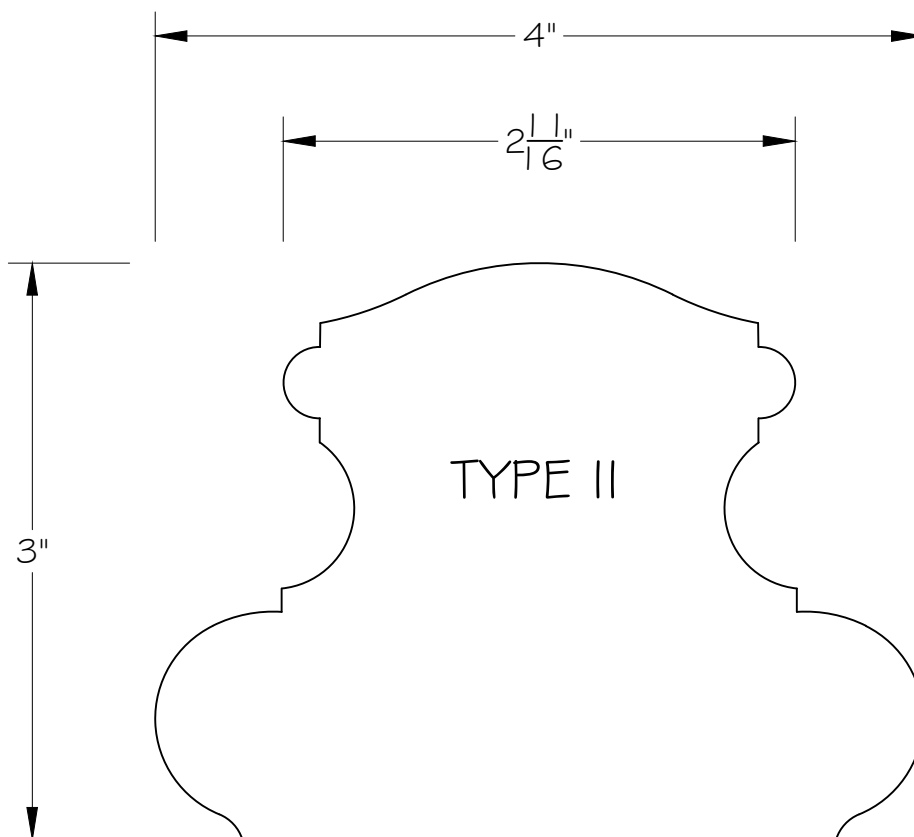
Width: 4"

Width Adjustable: Yes

24E Dorset Mill Road
Exeter, R.I. 02822
Phone: (401) 294-2235
Fax: (401) 295-1086
www.hdistair.com

Notes:

THIS HANDRAIL PROFILE MEETS TYPE II REQUIREMENTS. CODE REFERENCE R311.7.8.3 GRIP-SIZE, 2012 IRC.



(X) HD CL 35 RAIL PROFILE
FULL SCALE



Profile: HD CL 36

Height: $2 \frac{5}{16}$ "

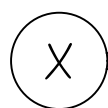
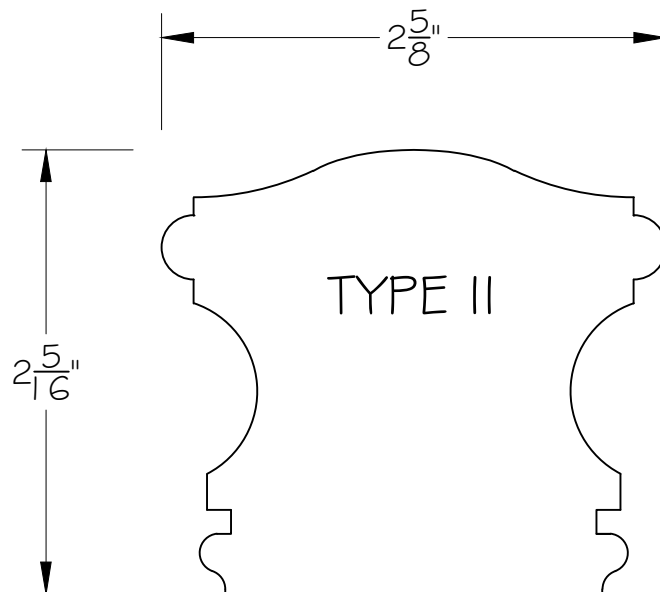
Width: $2 \frac{5}{8}$ "

Width Adjustable: Yes

24E Dorset Mill Road
Exeter, R.I. 02822
Phone: (401) 294-2235
Fax: (401) 295-1086
www.hdistair.com

Notes:

THIS HANDRAIL PROFILE MEETS TYPE II REQUIREMENTS. CODE REFERENCE R311.7.8.3 GRIP-SIZE, 2012 IRC.



HD CL 36 RAIL PROFILE

FULL SCALE



Profile: HD CL 37

Height: 2 1/8"

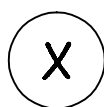
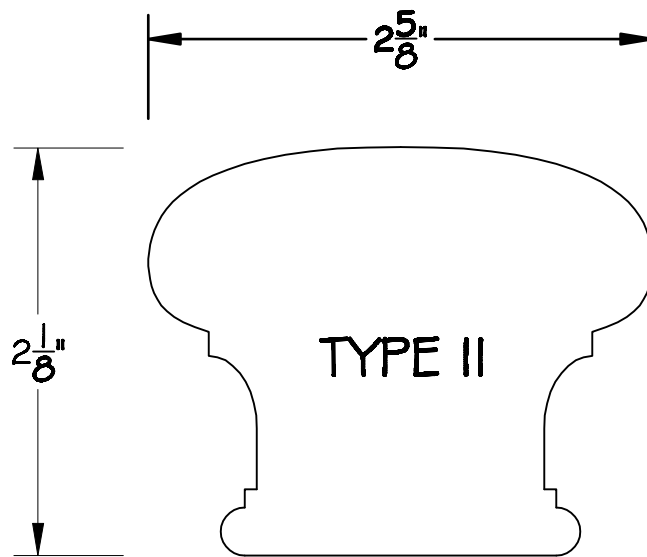
Width: 2 5/8"

Width Adjustable: No

24E Dorset Mill Road
Exeter, R.I. 02822
Phone: (401) 294-2235
Fax: (401) 295-1086
www.hdistair.com

Notes:

THIS HANDRAIL PROFILE MEETS TYPE II REQUIREMENTS. CODE REFERENCE R311.7.8.3 GRIP-SIZE, 2012 IRC.



HD CL 37 RAIL PROFILE

FULL SCALE



Profile: HD CL 38

Height: 2 5/8"

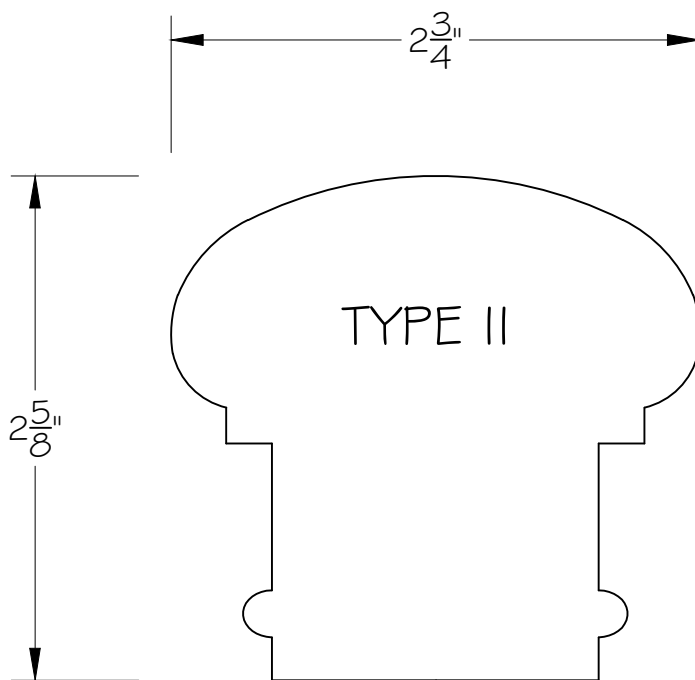
Width: 2 3/4"

Width Adjustable: No

24E Dorset Mill Road
Exeter, R.I. 02822
Phone: (401) 294-2235
Fax: (401) 295-1086
www.hdistair.com

Notes:

THIS HANDRAIL PROFILE MEETS TYPE II REQUIREMENTS. CODE REFERENCE R311.7.8.3 GRIP-SIZE, 2012 IRC.



(X) HD CL 38 RAIL PROFILE
FULL SCALE



Profile: HD CL 39

Height: 2 9/16"

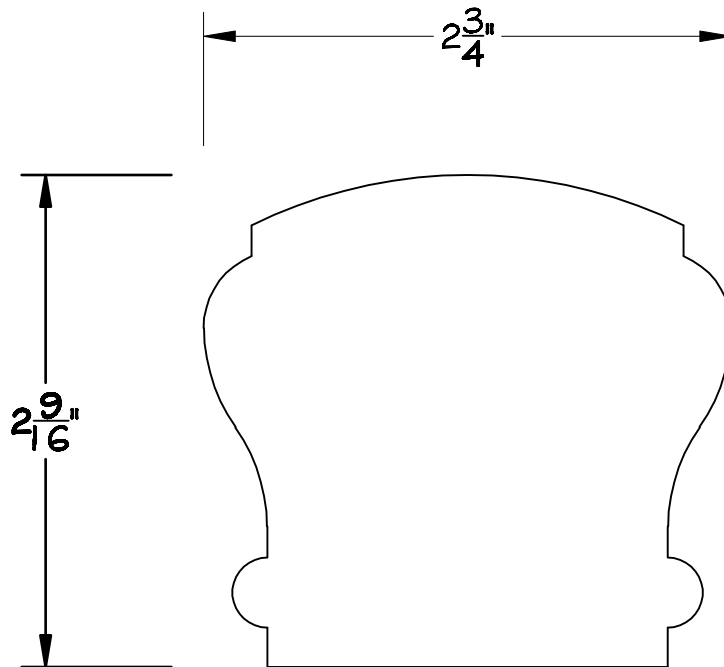
Width: 2 3/4"

Width Adjustable: No

24E Dorset Mill Road
Exeter, R.I. 02822
Phone: (401) 294-2235
Fax: (401) 295-1086
www.hdistair.com

Notes:

THIS HANDRAIL PROFILE DOES NOT MEET TYPE II REQUIREMENTS BUT IT MAY BE DETERMINED BY THE BUILDING INSPECTOR THAT IT PROVIDES EQUIVALENT GRASPABILITY . CODE REFERENCE R311.7.8.3 GRIP-SIZE, 2012 IRC.



X HD CL 39 RAIL PROFILE
FULL SCALE



Profile: HD CL 40

Height: 1 7/8"

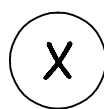
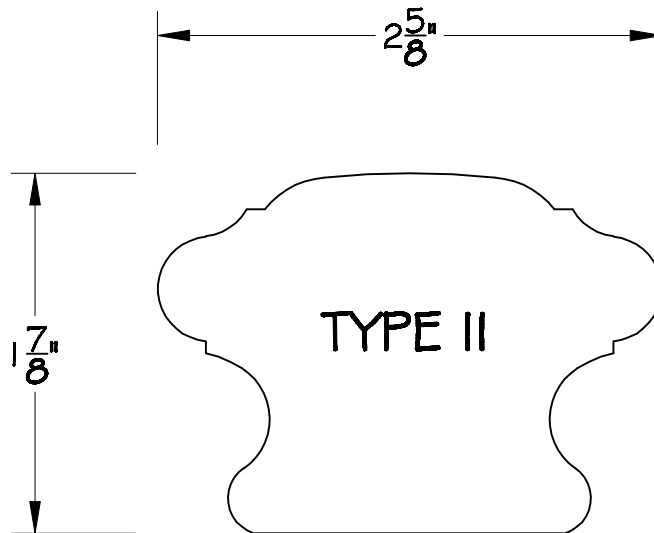
Width: 2 5/8"

Width Adjustable: No

24E Dorset Mill Road
Exeter, R.I. 02822
Phone: (401) 294-2235
Fax: (401) 295-1086
www.hdistair.com

Notes:

THIS HANDRAIL PROFILE MEETS TYPE II REQUIREMENTS. CODE REFERENCE R311.7.8.3 GRIP-SIZE, 2012 IRC.



HD CL 40 RAIL PROFILE

FULL SCALE



Profile: HD CL 41A

Height: 3 1/2"

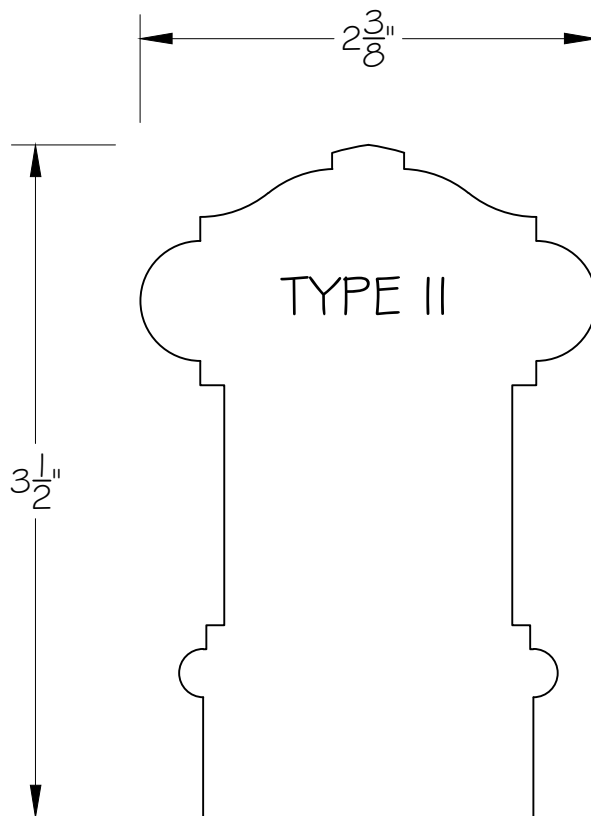
Width: 2 3/8"

Width Adjustable: Yes

24E Dorset Mill Road
Exeter, R.I. 02822
Phone: (401) 294-2235
Fax: (401) 295-1086
www.hdistair.com

Notes:

THIS HANDRAIL PROFILE MEETS TYPE II REQUIREMENTS. CODE REFERENCE R311.7.8.3 GRIP-SIZE, 2012 IRC.



(X) HD CL 41A RAIL PROFILE
FULL SCALE



Profile: HD CL 41B

Height: 1 1/2"

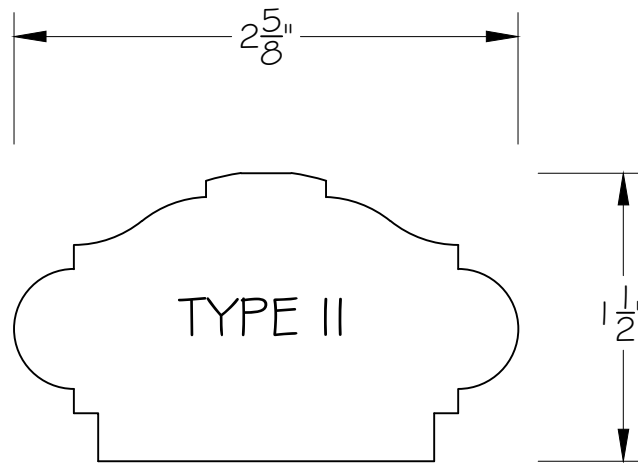
Width: 2 5/8"

Width Adjustable: Yes

24E Dorset Mill Road
Exeter, R.I. 02822
Phone: (401) 294-2235
Fax: (401) 295-1086
www.hdistair.com

Notes:

THIS HANDRAIL PROFILE MEETS TYPE II REQUIREMENTS. CODE REFERENCE R311.7.8.3 GRIP-SIZE, 2012 IRC.



(X) HD CL 41B RAIL PROFILE
FULL SCALE



Profile: HD CL 42

Height: $3 \frac{3}{8}$ "

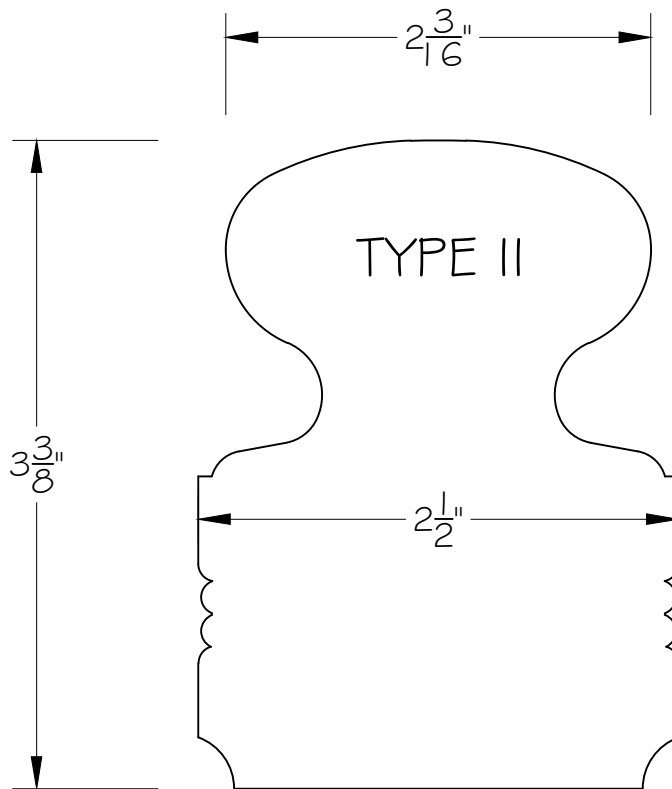
Width: $2 \frac{1}{2}$ "

Width Adjustable: Very little

24E Dorset Mill Road
Exeter, R.I. 02822
Phone: (401) 294-2235
Fax: (401) 295-1086
www.hdistair.com

Notes:

THIS HANDRAIL PROFILE MEETS TYPE II REQUIREMENTS. CODE REFERENCE R311.7.8.3 GRIP-SIZE, 2012 IRC.



(X) HD CL 42 RAIL PROFILE
FULL SCALE



Profile: HD CL 43

Height: 3 1/2"

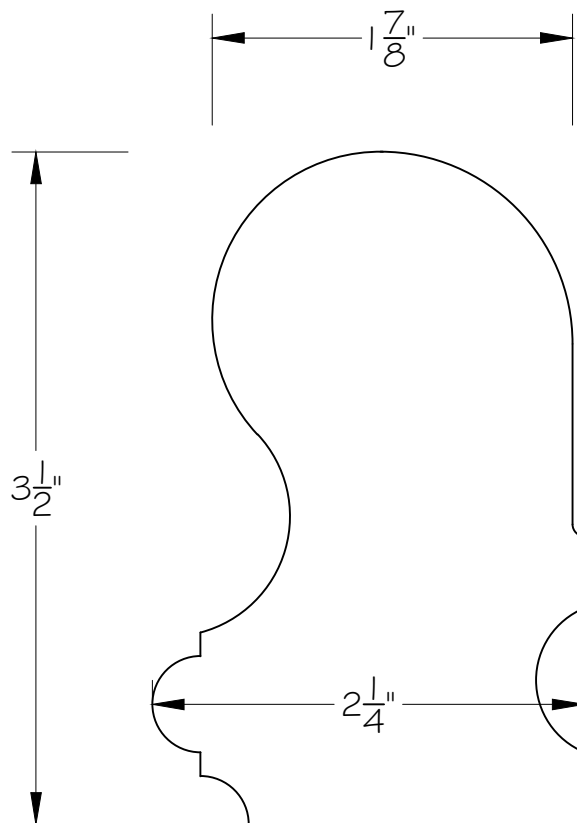
Width: 2 1/4"

Width Adjustable: No

24E Dorset Mill Road
Exeter, R.I. 02822
Phone: (401) 294-2235
Fax: (401) 295-1086
www.hdistair.com

Notes:

THIS HANDRAIL PROFILE DOES NOT MEET TYPE II REQUIREMENTS BUT IT MAY BE DETERMINED BY THE BUILDING INSPECTOR THAT IT PROVIDES EQUIVALENT GRASPABILITY . CODE REFERENCE R311.7.8.3 GRIP-SIZE, 2012 IRC.



X HD CL 43 RAIL PROFILE
FULL SCALE



Profile: HD CL 44

Height: 3 1/2"

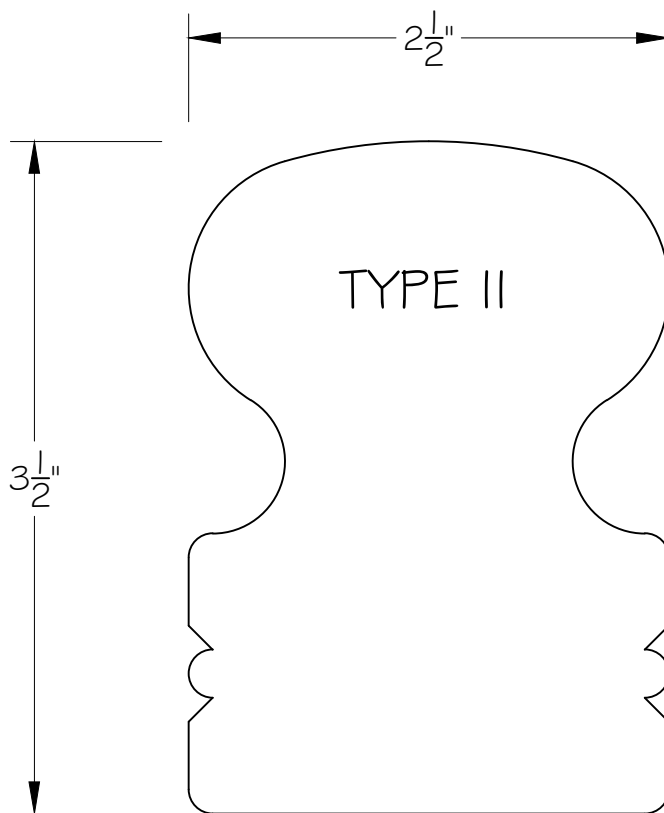
Width: 2 1/2"

Width Adjustable: No

24E Dorset Mill Road
Exeter, R.I. 02822
Phone: (401) 294-2235
Fax: (401) 295-1086
www.hdistair.com

Notes:

THIS HANDRAIL PROFILE MEETS TYPE II REQUIREMENTS. CODE REFERENCE R311.7.8.3 GRIP-SIZE, 2012 IRC.



(X) HD CL 44 RAIL PROFILE
FULL SCALE



Profile: HD CL 45

Height: 2 7/8"

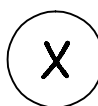
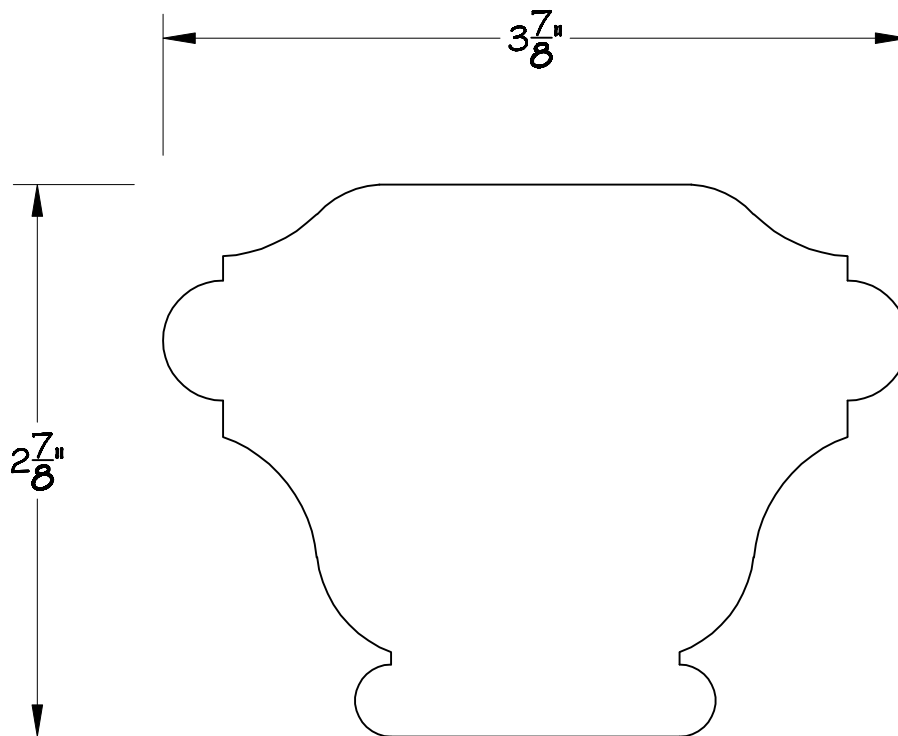
Width: 3 7/8"

Width Adjustable: Yes

24E Dorset Mill Road
Exeter, R.I. 02822
Phone: (401) 294-2235
Fax: (401) 295-1086
www.hdistair.com

Notes:

THIS HANDRAIL PROFILE DOES NOT MEET TYPE II REQUIREMENTS BUT IT MAY BE DETERMINED BY THE BUILDING INSPECTOR THAT IT PROVIDES EQUIVALENT GRASPABILITY . CODE REFERENCE R311.7.8.3 GRIP-SIZE, 2012 IRC.



HD CL 45 RAIL PROFILE

FULL SCALE



Profile: HD CL 46

Height: 2 1/4"

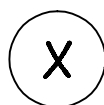
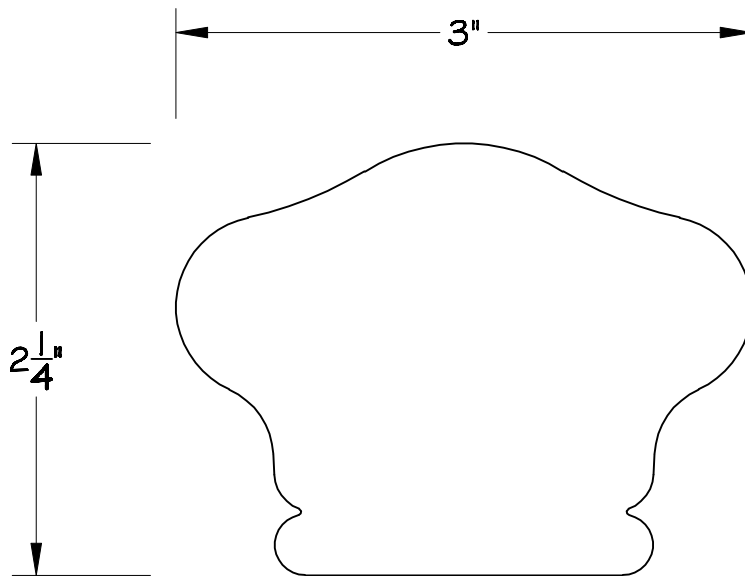
Width: 3"

Width Adjustable: No

24E Dorset Mill Road
Exeter, R.I. 02822
Phone: (401) 294-2235
Fax: (401) 295-1086
www.hdistair.com

Notes:

THIS HANDRAIL PROFILE DOES NOT MEET TYPE II REQUIREMENTS BUT IT MAY BE DETERMINED BY THE BUILDING INSPECTOR THAT IT PROVIDES EQUIVALENT GRASPABILITY . CODE REFERENCE R311.7.8.3 GRIP-SIZE, 2012 IRC.



HD CL 46 RAIL PROFILE

FULL SCALE



Profile: HD CL 47

Height: 3 1/4"

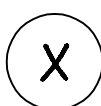
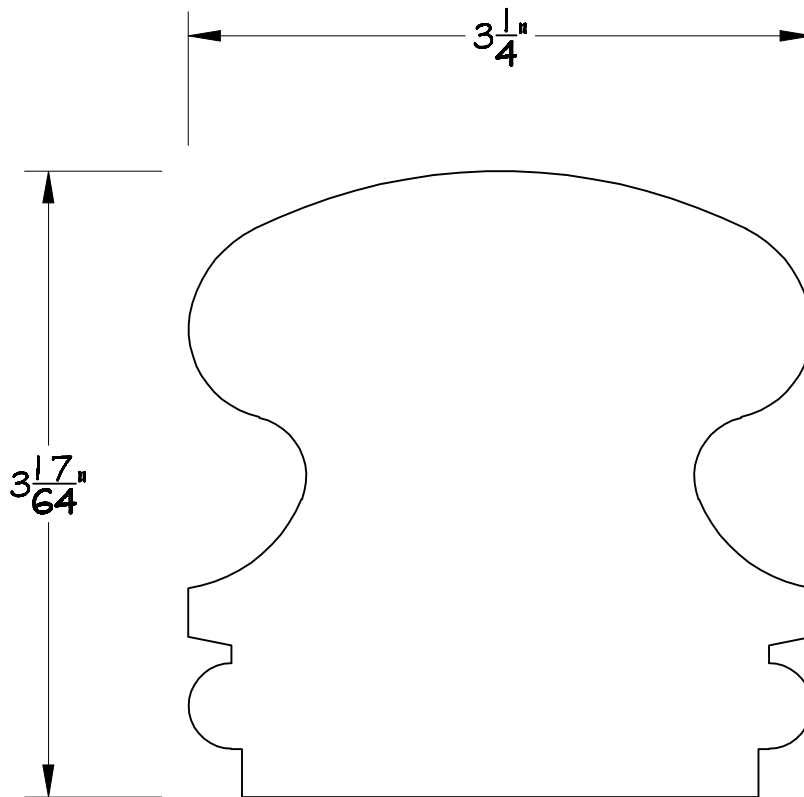
Width: 3 1/4"

Width Adjustable: No

24E Dorset Mill Road
Exeter, R.I. 02822
Phone: (401) 294-2235
Fax: (401) 295-1086
www.hdistair.com

Notes:

THIS HANDRAIL PROFILE DOES NOT MEET TYPE II REQUIREMENTS BUT IT MAY BE DETERMINED BY THE BUILDING INSPECTOR THAT IT PROVIDES EQUIVALENT GRASPABILITY . CODE REFERENCE R311.7.8.3 GRIP-SIZE, 2012 IRC.



HD CL 47 RAIL PROFILE

FULL SCALE



Profile: HD CL 48

Height: $3 \frac{3}{16}$ "

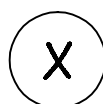
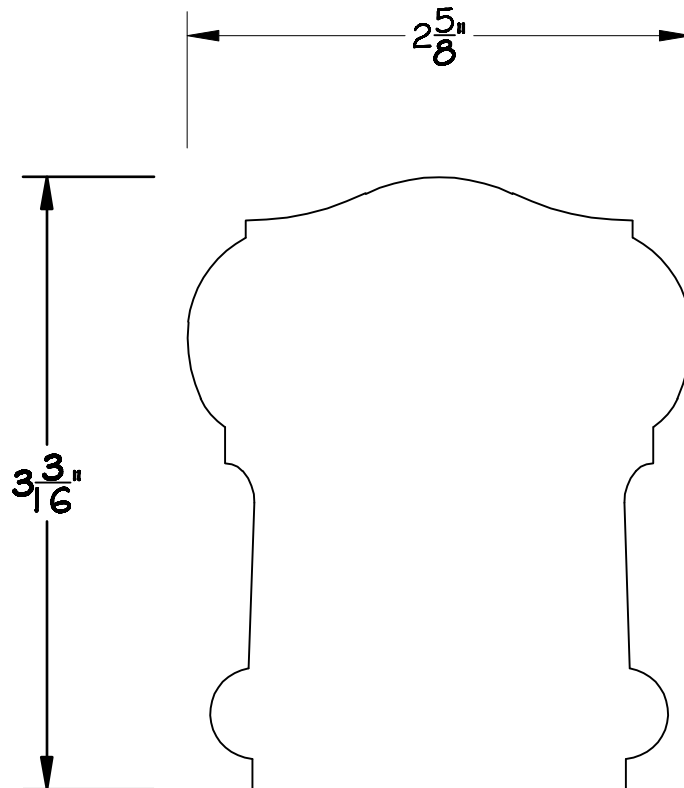
Width: $2 \frac{5}{8}$ "

Width Adjustable: No

24E Dorset Mill Road
Exeter, R.I. 02822
Phone: (401) 294-2235
Fax: (401) 295-1086
www.hdistair.com

Notes:

THIS HANDRAIL PROFILE DOES NOT MEET TYPE II REQUIREMENTS BUT IT MAY BE DETERMINED BY THE BUILDING INSPECTOR THAT IT PROVIDES EQUIVALENT GRASPABILITY . CODE REFERENCE R311.7.8.3 GRIP-SIZE, 2012 IRC.



HD CL 48 RAIL PROFILE

FULL SCALE



Profile: HD CL 49

Height: 2 1/8"

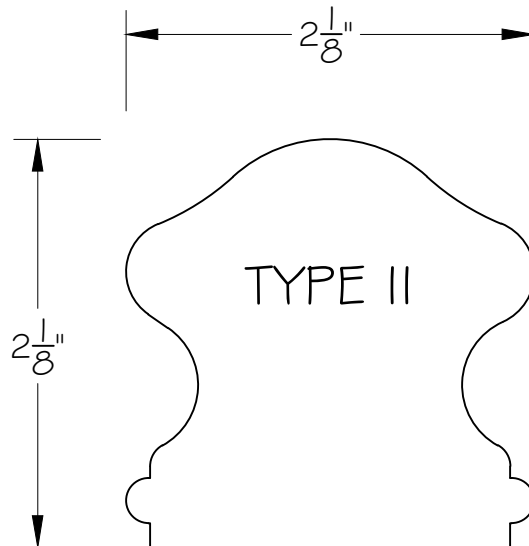
Width: 2 1/8"

Width Adjustable: No

24E Dorset Mill Road
Exeter, R.I. 02822
Phone: (401) 294-2235
Fax: (401) 295-1086
www.hdistair.com

Notes:

THIS HANDRAIL PROFILE MEETS TYPE II REQUIREMENTS. CODE REFERENCE R311.7.8.3 GRIP-SIZE, 2012 IRC.



(X) HD CL 49 RAIL PROFILE
FULL SCALE



Profile: HD CL 50

Height: 3 1/4"

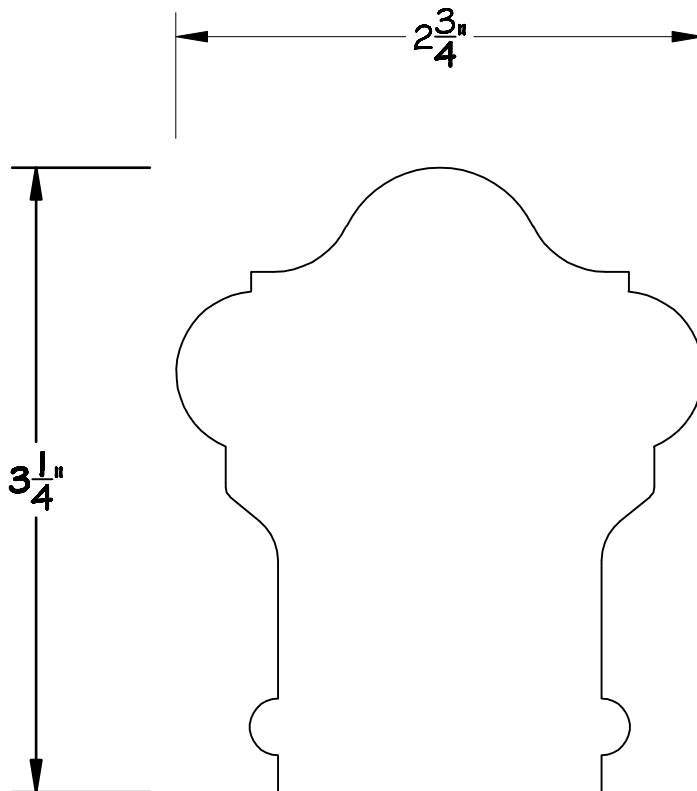
Width: 2 3/4"

Width Adjustable: Yes

24E Dorset Mill Road
Exeter, R.I. 02822
Phone: (401) 294-2235
Fax: (401) 295-1086
www.hdistair.com

Notes:

THIS HANDRAIL PROFILE DOES NOT MEET TYPE II REQUIREMENTS BUT IT MAY BE DETERMINED BY THE BUILDING INSPECTOR THAT IT PROVIDES EQUIVALENT GRASPABILITY . CODE REFERENCE R311.7.8.3 GRIP-SIZE, 2012 IRC.



X HD CL 50 RAIL PROFILE
FULL SCALE



Profile: HD CL 51

Height: $3 \frac{5}{16}$ "

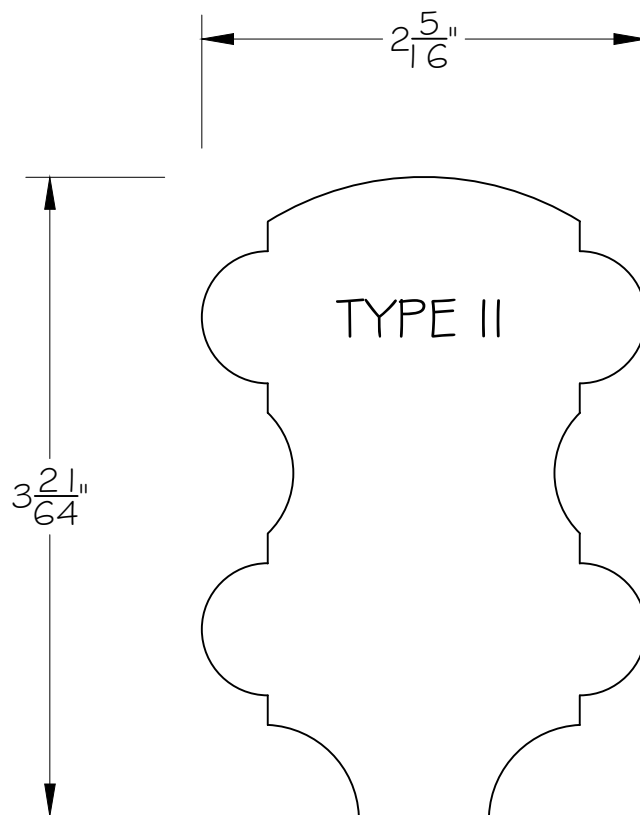
Width: $2 \frac{5}{16}$ "

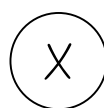
Width Adjustable: No

24E Dorset Mill Road
Exeter, R.I. 02822
Phone: (401) 294-2235
Fax: (401) 295-1086
www.hdistair.com

Notes:

THIS HANDRAIL PROFILE MEETS TYPE II REQUIREMENTS. CODE REFERENCE R311.7.8.3 GRIP-SIZE, 2012 IRC.



 HD CL 51 RAIL PROFILE
FULL SCALE



Profile: HD CL 52

Height: 2 3/8"

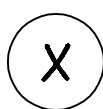
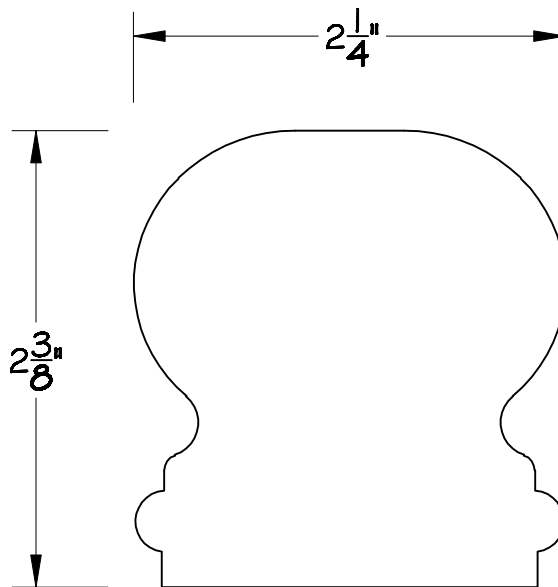
Width: 2 1/4"

Width Adjustable: Yes

24E Dorset Mill Road
Exeter, R.I. 02822
Phone: (401) 294-2235
Fax: (401) 295-1086
www.hdistair.com

Notes:

THIS HANDRAIL PROFILE DOES NOT MEET TYPE II REQUIREMENTS BUT IT MAY BE DETERMINED BY THE BUILDING INSPECTOR THAT IT PROVIDES EQUIVALENT GRASPABILITY . CODE REFERENCE R311.7.8.3 GRIP-SIZE, 2012 IRC.



HD CL 52 RAIL PROFILE

FULL SCALE



Profile: HD CL 53

Height: 3 3/8"

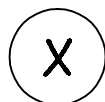
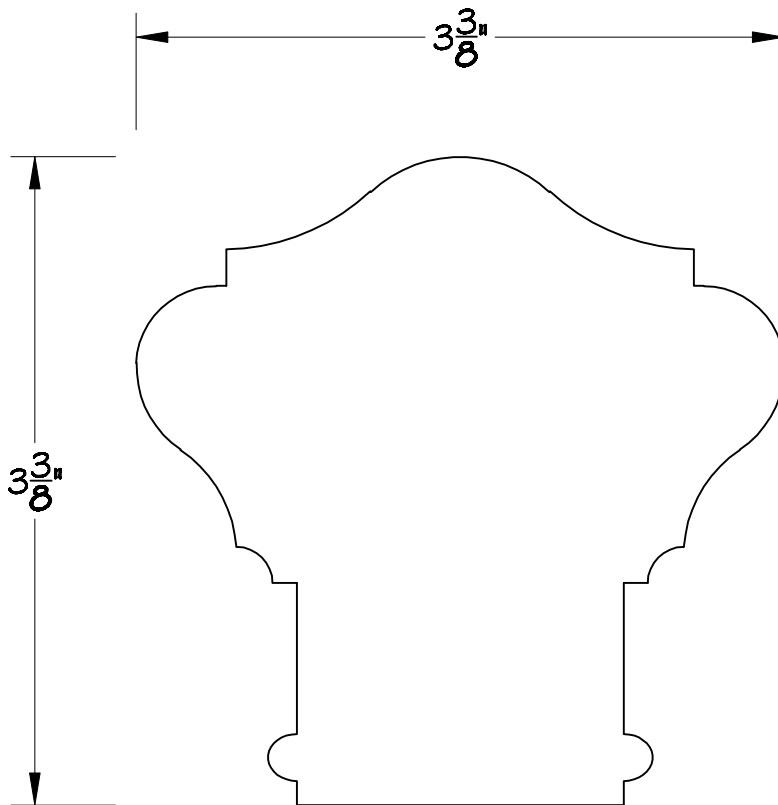
Width: 3 3/8"

Width Adjustable: No

24E Dorset Mill Road
Exeter, R.I. 02822
Phone: (401) 294-2235
Fax: (401) 295-1086
www.hdistair.com

Notes:

THIS HANDRAIL PROFILE DOES NOT MEET TYPE II REQUIREMENTS BUT IT MAY BE DETERMINED BY THE BUILDING INSPECTOR THAT IT PROVIDES EQUIVALENT GRASPABILITY . CODE REFERENCE R311.7.8.3 GRIP-SIZE, 2012 IRC.



HD CL 53 RAIL PROFILE

FULL SCALE



Profile: HD CL 54

Height: $2 \frac{13}{16}$ "

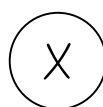
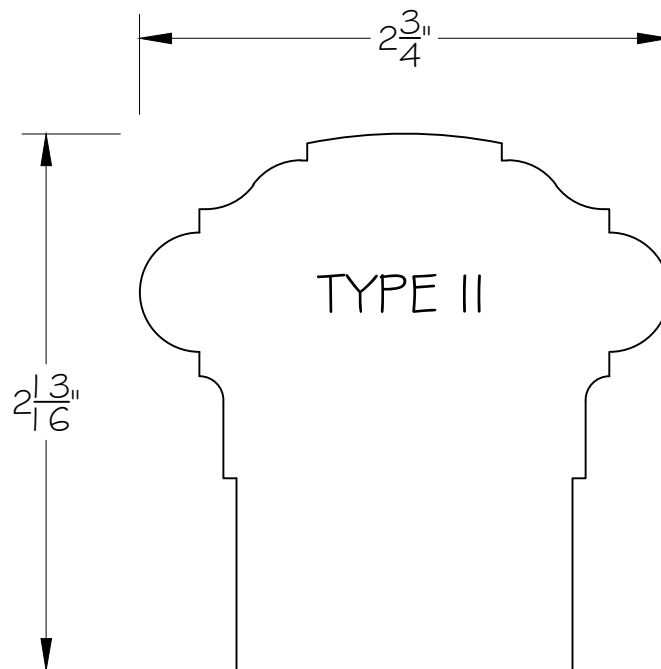
Width: $2 \frac{3}{4}$ "

Width Adjustable: With flat

24E Dorset Mill Road
Exeter, R.I. 02822
Phone: (401) 294-2235
Fax: (401) 295-1086
www.hdistair.com

Notes:

THIS HANDRAIL PROFILE MEETS TYPE II REQUIREMENTS. CODE REFERENCE R311.7.8.3 GRIP-SIZE, 2012 IRC.



HD CL 54 RAIL PROFILE

FULL SCALE



Profile: HD CL 55

Height: 3 3/8"

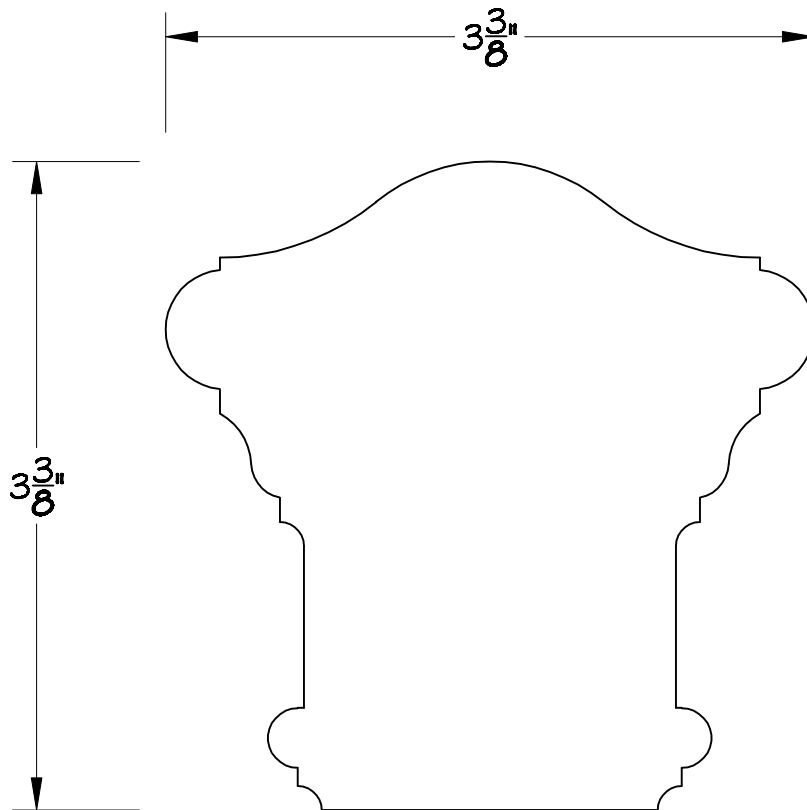
Width: 3 3/8"

Width Adjustable: No

24E Dorset Mill Road
Exeter, R.I. 02822
Phone: (401) 294-2235
Fax: (401) 295-1086
www.hdistair.com

Notes:

THIS HANDRAIL PROFILE DOES NOT MEET TYPE II REQUIREMENTS BUT IT MAY BE DETERMINED BY THE BUILDING INSPECTOR THAT IT PROVIDES EQUIVALENT GRASPABILITY . CODE REFERENCE R311.7.8.3 GRIP-SIZE, 2012 IRC.



X HD CL 55 RAIL PROFILE
FULL SCALE



Profile: HD CL 56

Height: 3 1/2"

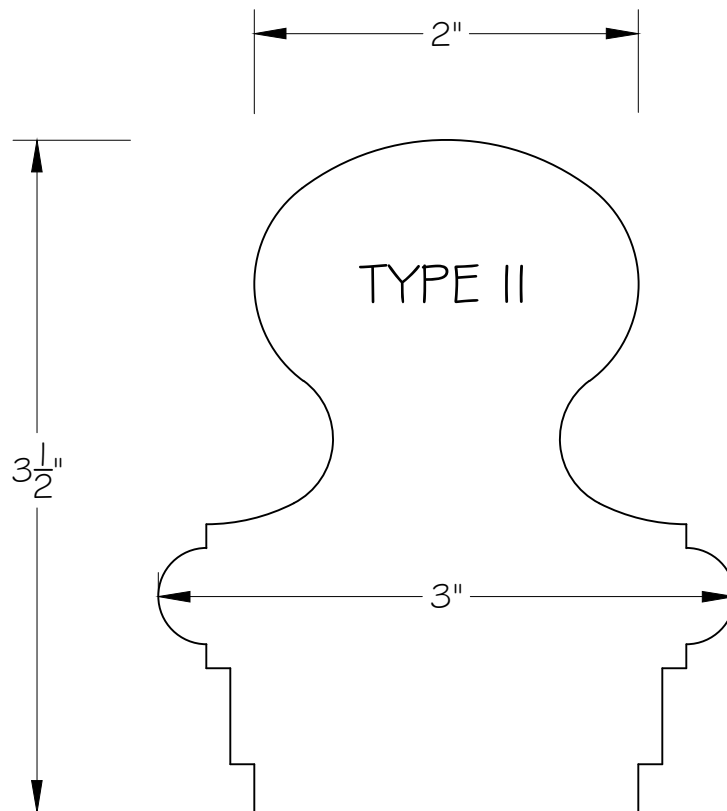
Width: 3"

Width Adjustable: No

24E Dorset Mill Road
Exeter, R.I. 02822
Phone: (401) 294-2235
Fax: (401) 295-1086
www.hdistair.com

Notes:

THIS HANDRAIL PROFILE MEETS TYPE II REQUIREMENTS. CODE REFERENCE R311.7.8.3 GRIP-SIZE, 2012 IRC.



(X) HD CL 56 RAIL PROFILE
FULL SCALE



Profile: HD CL 57

Height: 2 15/16"

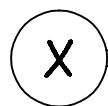
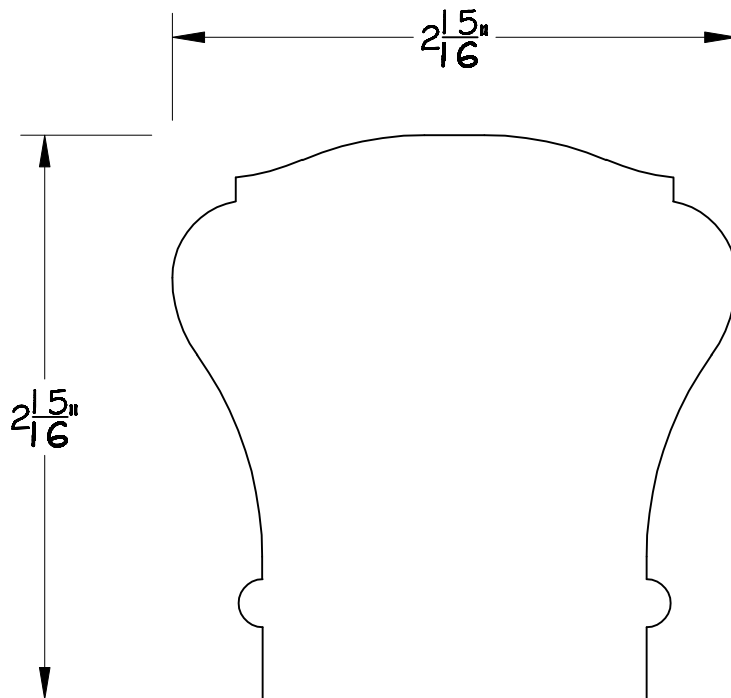
Width: 2 15/16"

Width Adjustable:

24E Dorset Mill Road
Exeter, R.I. 02822
Phone: (401) 294-2235
Fax: (401) 295-1086
www.hdistair.com

Notes:

THIS HANDRAIL PROFILE DOES NOT MEET TYPE II REQUIREMENTS BUT IT MAY BE DETERMINED BY THE BUILDING INSPECTOR THAT IT PROVIDES EQUIVALENT GRASPABILITY . CODE REFERENCE R311.7.8.3 GRIP-SIZE, 2012 IRC.



HD CL 57 RAIL PROFILE

FULL SCALE



24E Dorset Mill Road
Exeter, R.I. 02822
Phone: (401) 294-2235
Fax: (401) 295-1086
www.hdistair.com

Profile: HD CL 58

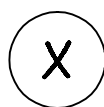
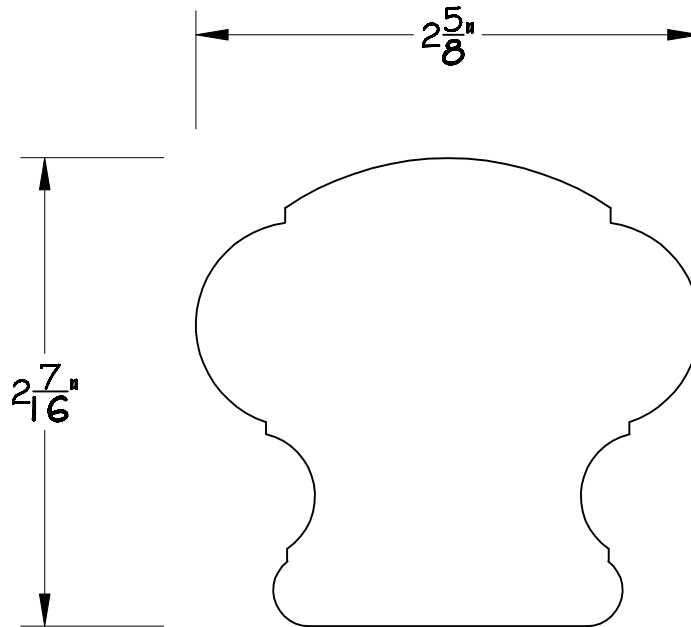
Height: 2 7/16"

Width: 2 5/8"

Width Adjustable:

Notes:

THIS HANDRAIL PROFILE DOES NOT MEET TYPE II REQUIREMENTS BUT IT MAY BE DETERMINED BY THE BUILDING INSPECTOR THAT IT PROVIDES EQUIVALENT GRASPABILITY . CODE REFERENCE R311.7.8.3 GRIP-SIZE, 2012 IRC.



HD CL 58 RAIL PROFILE

FULL SCALE



Profile: HD CL 59

Height: 2 1/2"

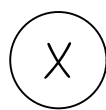
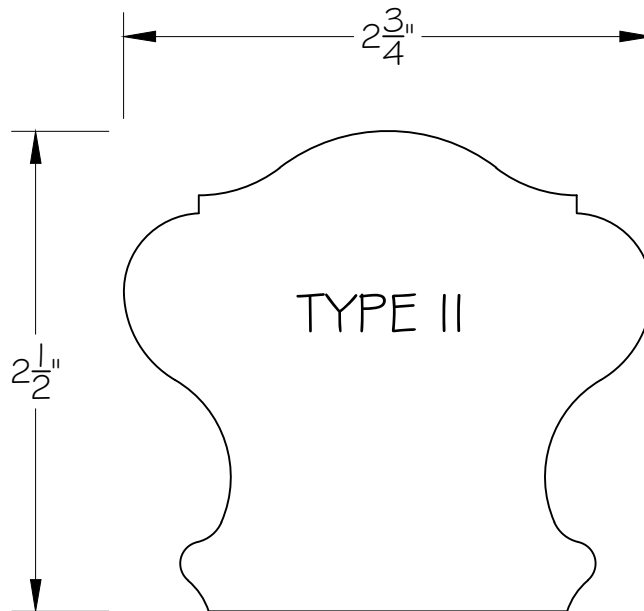
Width: 2 3/4"

Width Adjustable:

24E Dorset Mill Road
Exeter, R.I. 02822
Phone: (401) 294-2235
Fax: (401) 295-1086
www.hdistair.com

Notes:

THIS HANDRAIL PROFILE MEETS TYPE II REQUIREMENTS. CODE REFERENCE R311.7.8.3 GRIP-SIZE, 2012 IRC.



HD CL I RAIL PROFILE

FULL SCALE



24E Dorset Mill Road
Exeter, R.I. 02822
Phone: (401) 294-2235
Fax: (401) 295-1086
www.hdistair.com

Profile: HD CL 60

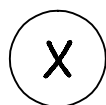
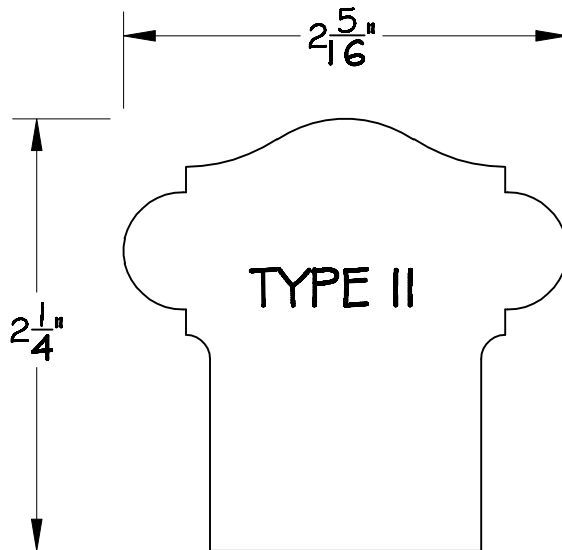
Height: 2 1/4"

Width: 2 5/16"

Width Adjustable: No

Notes:

THIS HANDRAIL PROFILE MEETS TYPE II
REQUIREMENTS. CODE REFERENCE
R311.7.8.3 GRIP-SIZE, 2012 IRC.



HD CL 60 RAIL PROFILE

FULL SCALE



Profile: HD CL 61

Height: 2 7/8"

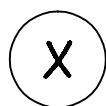
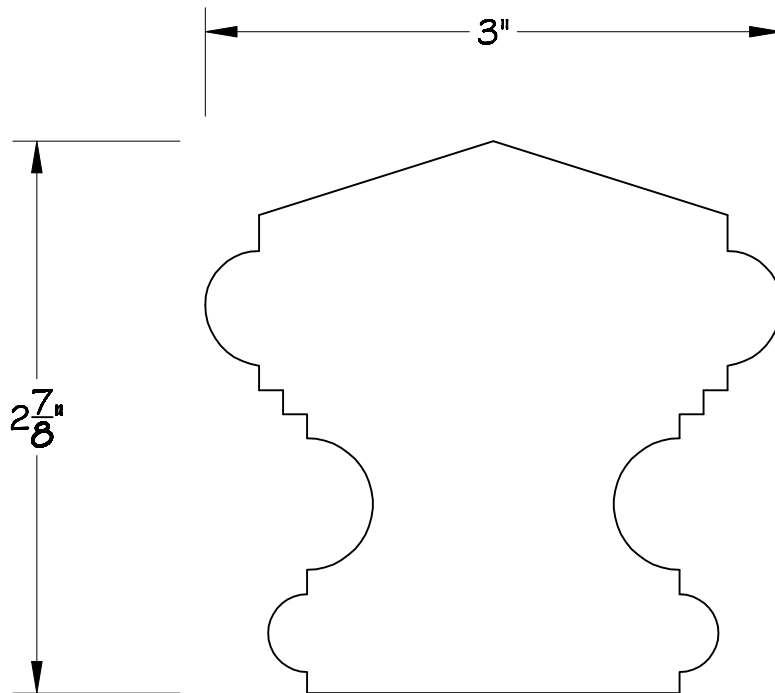
Width: 3"

Width Adjustable:: No

24E Dorset Mill Road
Exeter, R.I. 02822
Phone: (401) 294-2235
Fax: (401) 295-1086
www.hdistair.com

Notes:

THIS HANDRAIL PROFILE DOES NOT MEET TYPE II REQUIREMENTS BUT IT MAY BE DETERMINED BY THE BUILDING INSPECTOR THAT IT PROVIDES EQUIVALENT GRASPABILITY . CODE REFERENCE R311.7.8.3 GRIP-SIZE, 2012 IRC.



HD CL 61 RAIL PROFILE

FULL SCALE



Profile: HD CL 62

Height: 2 5/8"

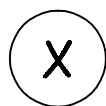
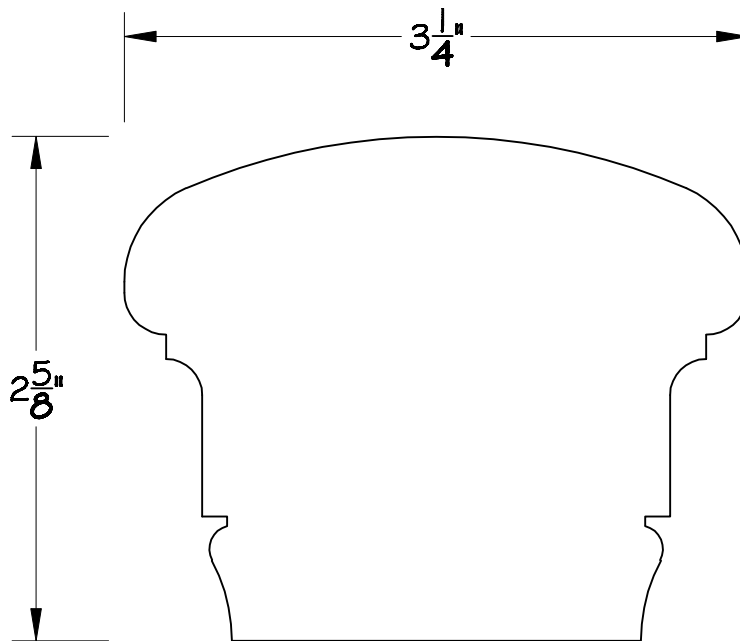
Width: 3 1/4"

Width Adjustable: No

24E Dorset Mill Road
Exeter, R.I. 02822
Phone: (401) 294-2235
Fax: (401) 295-1086
www.hdistair.com

Notes:

THIS HANDRAIL PROFILE DOES NOT MEET TYPE II REQUIREMENTS BUT IT MAY BE DETERMINED BY THE BUILDING INSPECTOR THAT IT PROVIDES EQUIVALENT GRASPABILITY . CODE REFERENCE R311.7.8.3 GRIP-SIZE, 2012 IRC.



HD CL 62 RAIL PROFILE

FULL SCALE



Profile: HD CL 63

Height: 2 3/8"

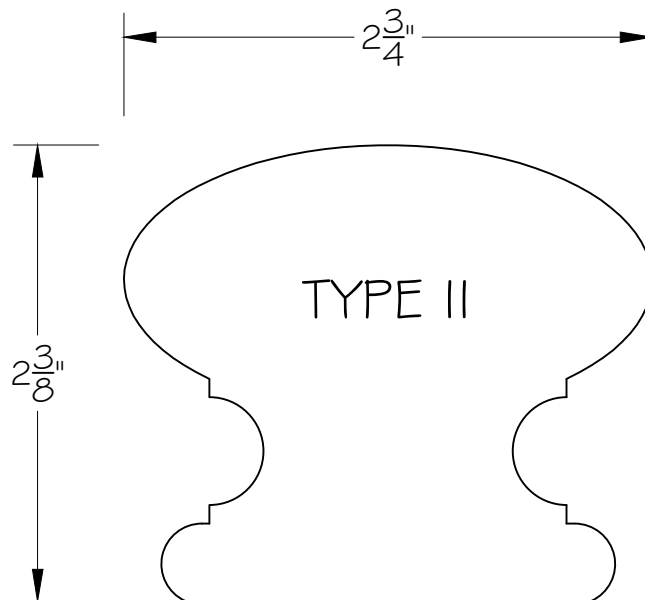
Width: 2 3/4"

Width Adjustable:

24E Dorset Mill Road
Exeter, R.I. 02822
Phone: (401) 294-2235
Fax: (401) 295-1086
www.hdistair.com

Notes:

THIS HANDRAIL PROFILE MEETS TYPE II REQUIREMENTS. CODE REFERENCE R311.7.8.3 GRIP-SIZE, 2012 IRC.



X HD CL 63 RAIL PROFILE
FULL SCALE



Profile: HD CL 64

Height: 2 5/16"

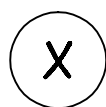
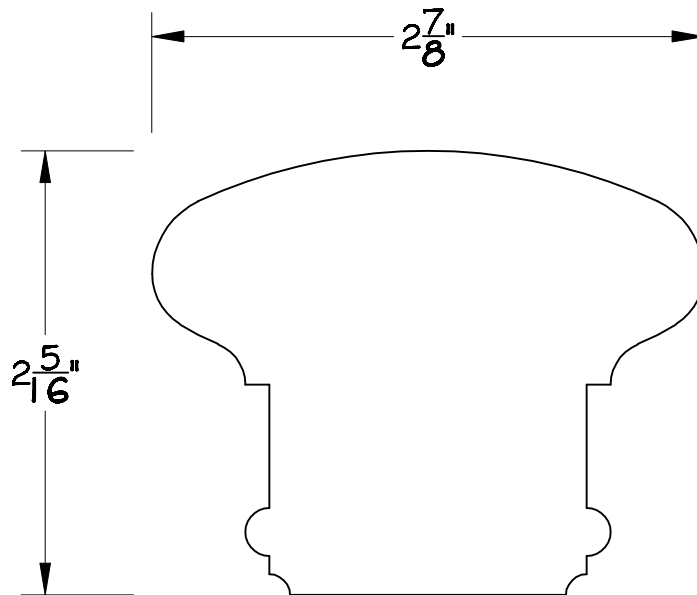
Width: 2 7/8"

Width Adjustable: No

24E Dorset Mill Road
Exeter, R.I. 02822
Phone: (401) 294-2235
Fax: (401) 295-1086
www.hdistair.com

Notes:

THIS HANDRAIL PROFILE DOES NOT MEET TYPE II REQUIREMENTS BUT IT MAY BE DETERMINED BY THE BUILDING INSPECTOR THAT IT PROVIDES EQUIVALENT GRASPABILITY . CODE REFERENCE R311.7.8.3 GRIP-SIZE, 2012 IRC.



HD CL 64 RAIL PROFILE

FULL SCALE



Profile: HD CL 65

Height: 3"

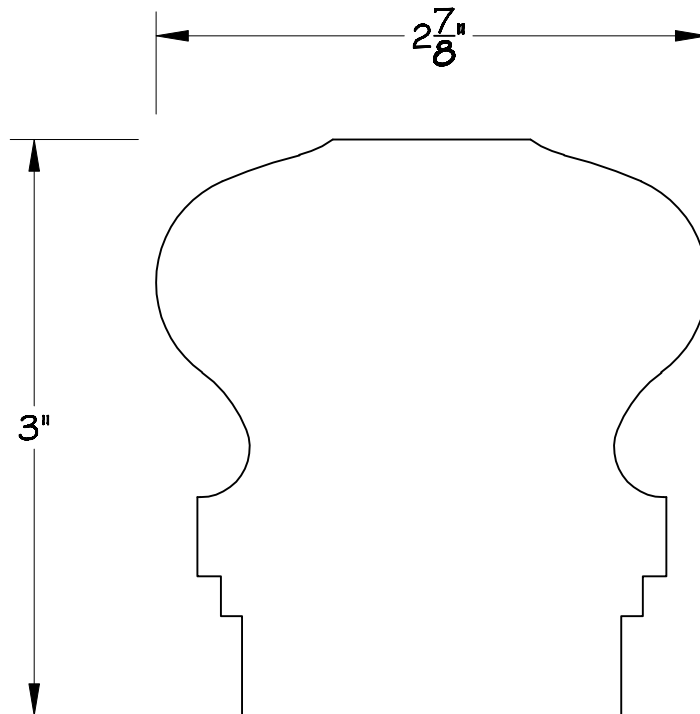
Width: 2 7/8"

Width Adjustable: Yes

24E Dorset Mill Road
Exeter, R.I. 02822
Phone: (401) 294-2235
Fax: (401) 295-1086
www.hdistair.com

Notes:

THIS HANDRAIL PROFILE DOES NOT MEET TYPE II REQUIREMENTS BUT IT MAY BE DETERMINED BY THE BUILDING INSPECTOR THAT IT PROVIDES EQUIVALENT GRASPABILITY . CODE REFERENCE R311.7.8.3 GRIP-SIZE, 2012 IRC.



X HD CL 65 RAIL PROFILE
FULL SCALE



Profile: HD CL 66

Height: 3"

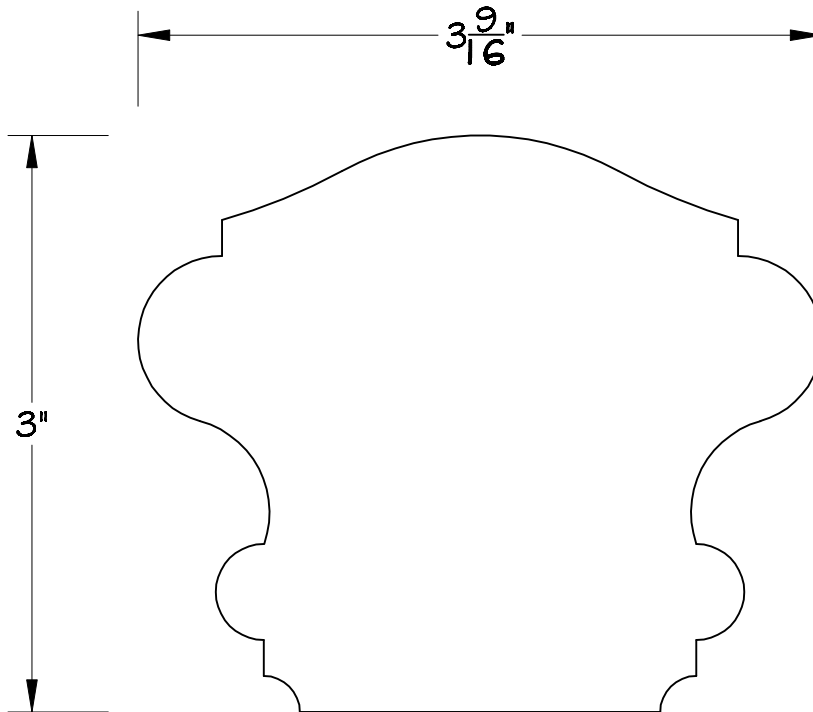
Width: 3 9/16"

Width Adjustable:

24E Dorset Mill Road
Exeter, R.I. 02822
Phone: (401) 294-2235
Fax: (401) 295-1086
www.hdistair.com

Notes:

THIS HANDRAIL PROFILE DOES NOT MEET TYPE II REQUIREMENTS BUT IT MAY BE DETERMINED BY THE BUILDING INSPECTOR THAT IT PROVIDES EQUIVALENT GRASPABILITY . CODE REFERENCE R311.7.8.3 GRIP-SIZE, 2012 IRC.



X HD CL 66 RAIL PROFILE
FULL SCALE



Profile: HD CL 67

Height: 3 1/4"

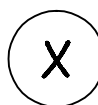
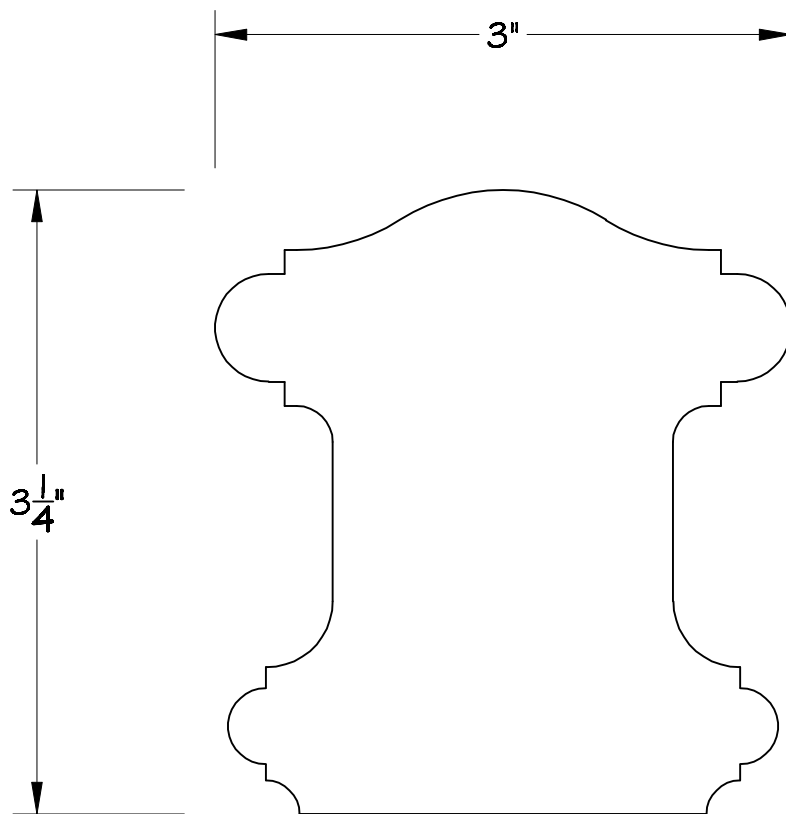
Width: 3"

Width Adjustable: Yes

24E Dorset Mill Road
Exeter, R.I. 02822
Phone: (401) 294-2235
Fax: (401) 295-1086
www.hdistair.com

Notes:

THIS HANDRAIL PROFILE DOES NOT MEET TYPE II REQUIREMENTS BUT IT MAY BE DETERMINED BY THE BUILDING INSPECTOR THAT IT PROVIDES EQUIVALENT GRASPABILITY . CODE REFERENCE R311.7.8.3 GRIP-SIZE, 2012 IRC.



HD CL 67 RAIL PROFILE

FULL SCALE



Profile: HD CL 68

Height: 3 3/8"

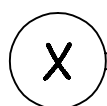
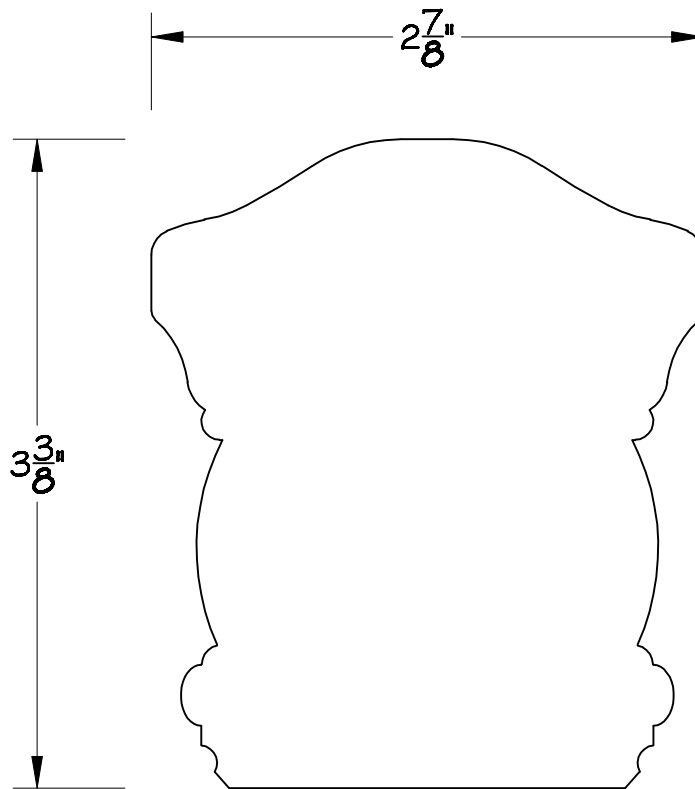
Width: 2-7/8"

Width Adjustable: no

24E Dorset Mill Road
Exeter, R.I. 02822
Phone: (401) 294-2235
Fax: (401) 295-1086
www.hdistair.com

Notes:

THIS HANDRAIL PROFILE DOES NOT MEET TYPE II REQUIREMENTS BUT IT MAY BE DETERMINED BY THE BUILDING INSPECTOR THAT IT PROVIDES EQUIVALENT GRASPABILITY . CODE REFERENCE R311.7.8.3 GRIP-SIZE, 2012 IRC.



HD CL 68 RAIL PROFILE

FULL SCALE



Profile: HD CL 69

Height: 2 3/8"

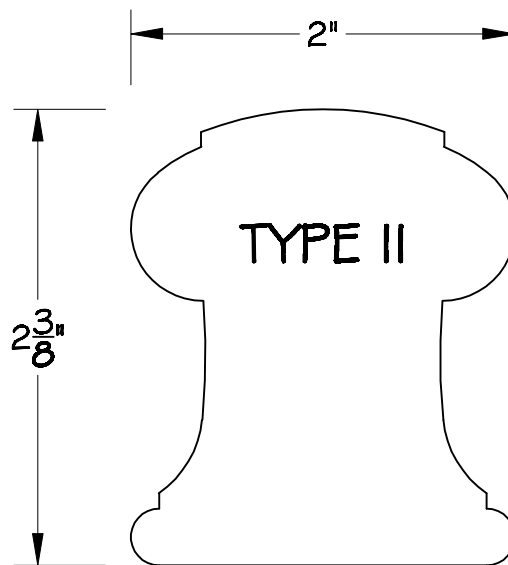
Width: 2"

Width Adjustable: No

24E Dorset Mill Road
Exeter, R.I. 02822
Phone: (401) 294-2235
Fax: (401) 295-1086
www.hdistair.com

Notes:

THIS HANDRAIL PROFILE MEETS TYPE II REQUIREMENTS. CODE REFERENCE R311.7.8.3 GRIP-SIZE, 2012 IRC.



X HD CL 69 RAIL PROFILE
FULL SCALE



Profile: HD CL 70

Height: 3 5/16"

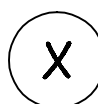
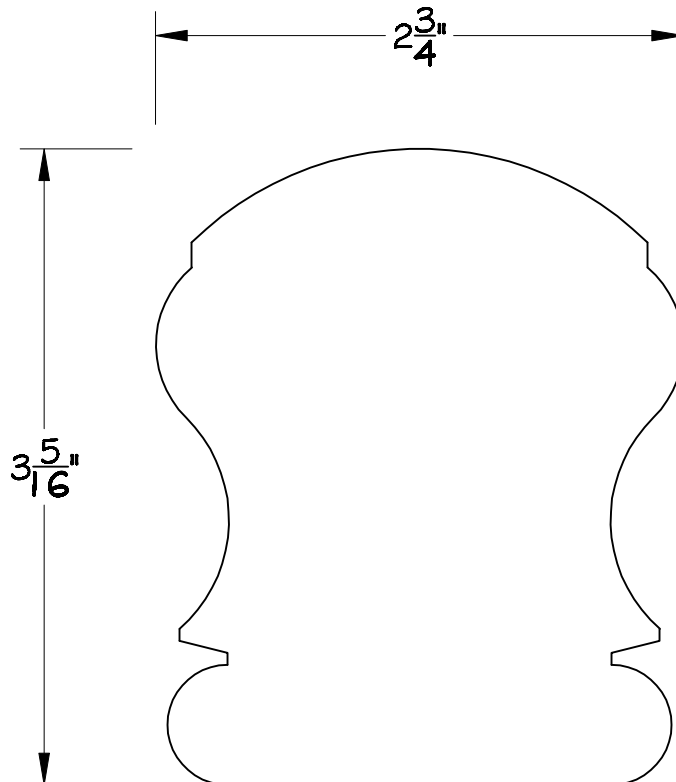
Width: 2 3/4"

Width Adjustable: No

24E Dorset Mill Road
Exeter, R.I. 02822
Phone: (401) 294-2235
Fax: (401) 295-1086
www.hdistair.com

Notes:

THIS HANDRAIL PROFILE DOES NOT MEET TYPE II REQUIREMENTS BUT IT MAY BE DETERMINED BY THE BUILDING INSPECTOR THAT IT PROVIDES EQUIVALENT GRASPABILITY . CODE REFERENCE R311.7.8.3 GRIP-SIZE, 2012 IRC.



HD CL 70 RAIL PROFILE

FULL SCALE



Profile: HD CL 71

Height: 4"

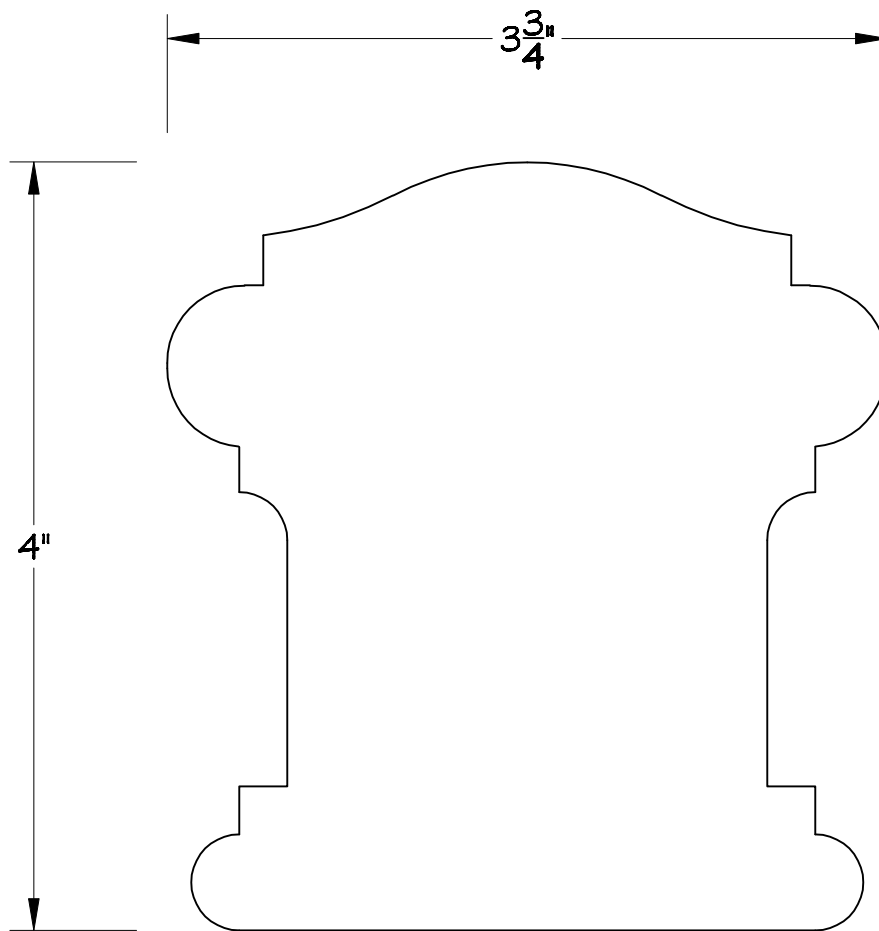
Width: 3 3/4"

Width Adjustable: Yes

24E Dorset Mill Road
Exeter, R.I. 02822
Phone: (401) 294-2235
Fax: (401) 295-1086
www.hdistair.com

Notes:

THIS HANDRAIL PROFILE DOES NOT MEET TYPE II REQUIREMENTS BUT IT MAY BE DETERMINED BY THE BUILDING INSPECTOR THAT IT PROVIDES EQUIVALENT GRASPABILITY . CODE REFERENCE R311.7.8.3 GRIP-SIZE, 2012 IRC.



(X) **HD CL 71 RAIL PROFILE**
FULL SCALE



Profile: HD CL 72

Height: 3 3/8"

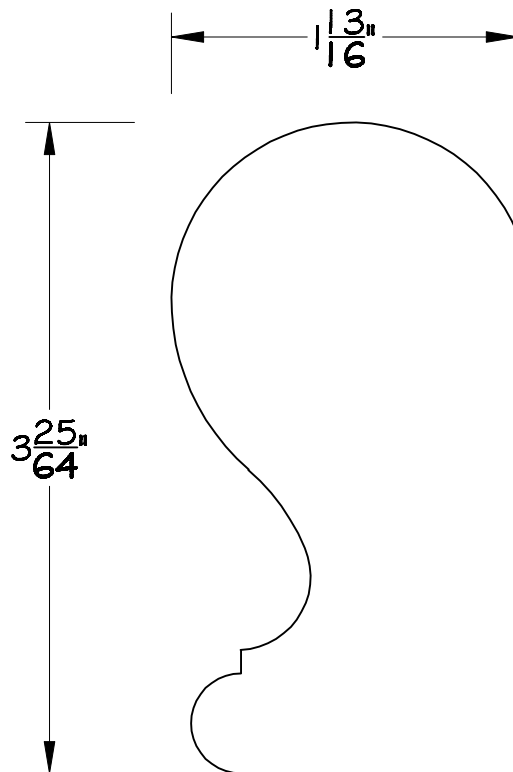
Width: 1 13/16"

Width Adjustable: Yes

24E Dorset Mill Road
Exeter, R.I. 02822
Phone: (401) 294-2235
Fax: (401) 295-1086
www.hdistair.com

Notes:

THIS HANDRAIL PROFILE DOES NOT MEET TYPE II REQUIREMENTS BUT IT MAY BE DETERMINED BY THE BUILDING INSPECTOR THAT IT PROVIDES EQUIVALENT GRASPABILITY . CODE REFERENCE R311.7.8.3 GRIP-SIZE, 2012 IRC.



X HD CL 72 RAIL PROFILE
FULL SCALE



Profile: HD CL 73

Height: 1 1/2"

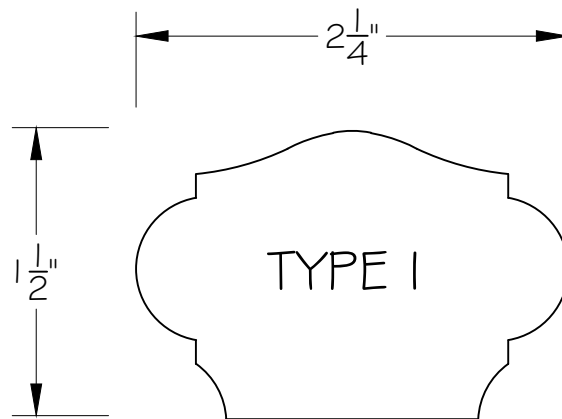
Width: 2 1/4"

Width Adjustable:

24E Dorset Mill Road
Exeter, R.I. 02822
Phone: (401) 294-2235
Fax: (401) 295-1086
www.hdistair.com

Notes:

THIS HANDRAIL PROFILE MEETS TYPE I REQUIREMENTS. CODE REFERENCE R311.7.8.3 GRIP-SIZE, 2012 IRC.



(X) HD CL 73 RAIL PROFILE
FULL SCALE



Profile: HD CL 74

Height: 2-7/16"

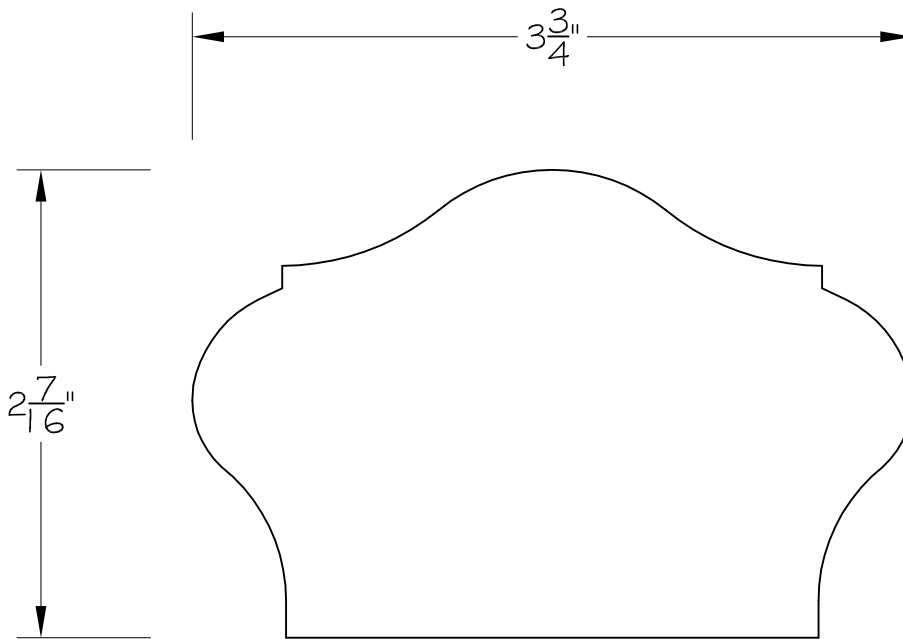
Width: 3-3/4"

Width Adjustable:

24E Dorset Mill Road
Exeter, R.I. 02822
Phone: (401) 294-2235
Fax: (401) 295-1086
www.hdistair.com

Notes:

THIS HANDRAIL PROFILE DOES NOT MEET TYPE II REQUIREMENTS BUT IT MAY BE DETERMINED BY THE BUILDING INSPECTOR THAT IT PROVIDES EQUIVALENT GRASPABILITY . CODE REFERENCE R311.7.8.3 GRIP-SIZE, 2012 IRC.



(X) HD CL 74 RAIL PROFILE
FULL SCALE



Profile: HD CL 75

Height: 2 3/8"

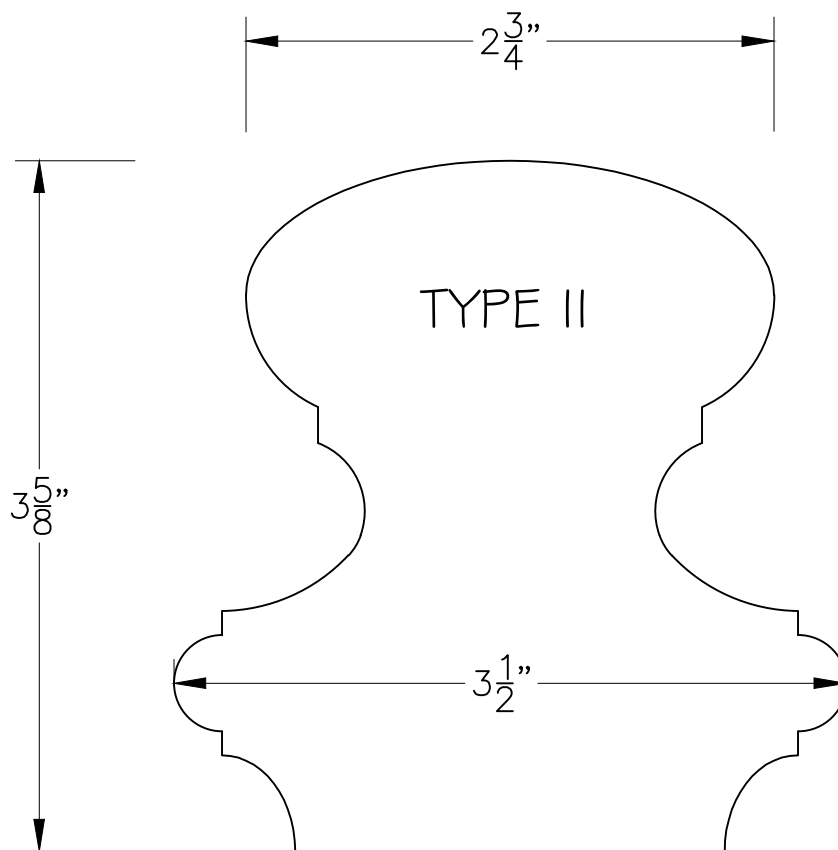
Width: 2 3/4"

Width Adjustable:

24E Dorset Mill Road
Exeter, R.I. 02822
Phone: (401) 294-2235
Fax: (401) 295-1086
www.hdistair.com

Notes:

THIS HANDRAIL PROFILE MEETS TYPE II REQUIREMENTS. CODE REFERENCE R311.7.8.3 GRIP-SIZE, 2012 IRC.



(X) HD CL 75 RAIL PROFILE
FULL SCALE



Profile: HD CL 76

Height: 3-3/4"

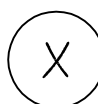
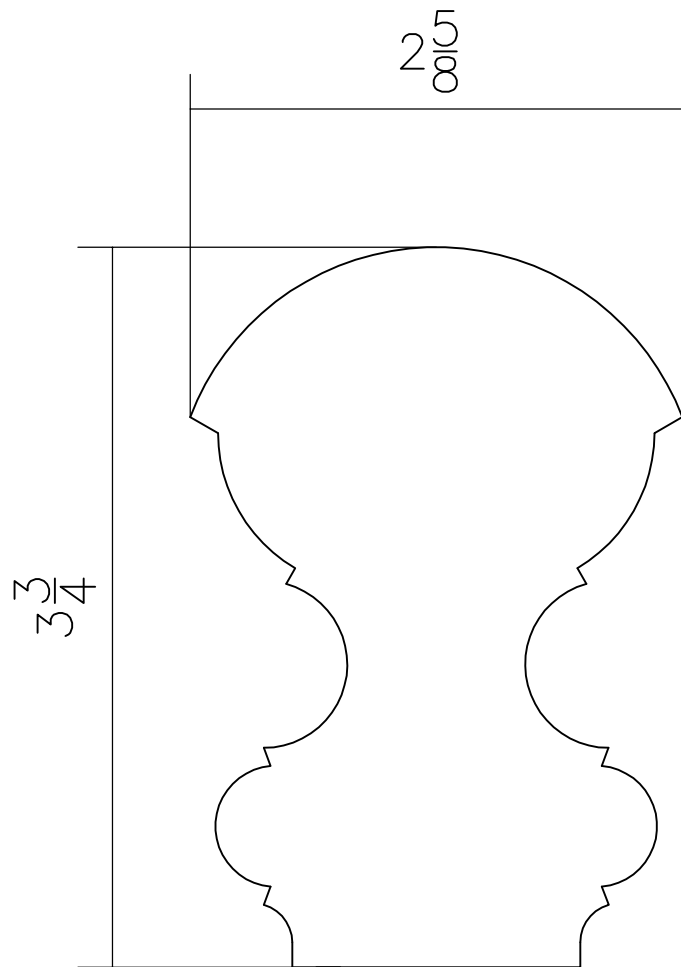
Width: 2 5/8"

Width Adjustable:

24E Dorset Mill Road
Exeter, R.I. 02822
Phone: (401) 294-2235
Fax: (401) 295-1086
www.hdistair.com

Notes:

THIS HANDRAIL PROFILE DOES NOT MEET TYPE II REQUIREMENTS BUT IT MAY BE DETERMINED BY THE BUILDING INSPECTOR THAT IT PROVIDES EQUIVALENT GRASPABILITY . CODE REFERENCE R311.7.8.3 GRIP-SIZE, 2012 IRC.



HD CL 76 RAIL PROFILE

FULL SCALE



Profile: HD CL 77

Height: 3 1/4"

Width: 3 1/2"

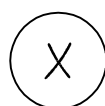
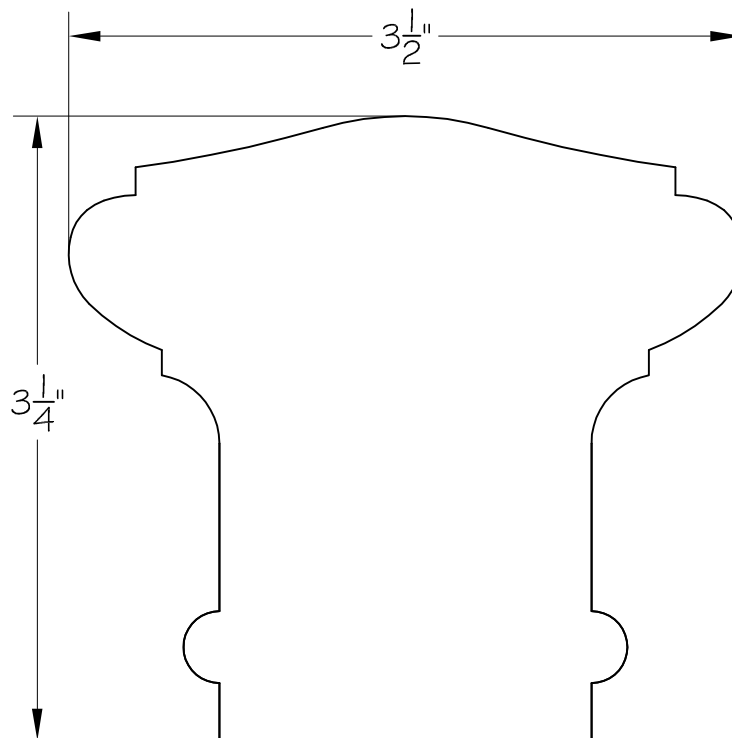
Width Adjustable:

24E Dorset Mill Road
Exeter, R.I. 02822
Phone: (401) 294-2235
Fax: (401) 295-1086
www.hdistair.com

Notes:

THIS HANDRAIL PROFILE DOES NOT MEET TYPE II REQUIREMENTS BUT IT MAY BE DETERMINED BY THE BUILDING INSPECTOR THAT IT PROVIDES EQUIVALENT GRASPABILITY . CODE REFERENCE R311.7.8.3 GRIP-SIZE, 2012 IRC.

FULL RAIL SECTION



HD CL 77 RAIL PROFILE

FULL SCALE



Profile: HD CL 78

Height: 3 1/2"

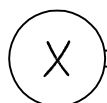
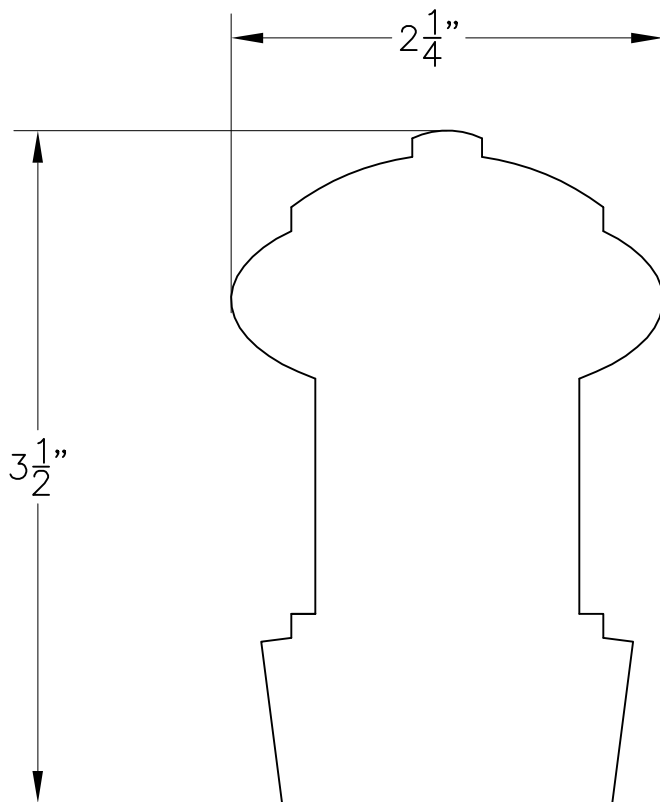
Width: 2 1/4"

Width Adjustable:

24E Dorset Mill Road
Exeter, R.I. 02822
Phone: (401) 294-2235
Fax: (401) 295-1086
www.hdistair.com

Notes:

THIS HANDRAIL PROFILE DOES NOT MEET TYPE II REQUIREMENTS BUT IT MAY BE DETERMINED BY THE BUILDING INSPECTOR THAT IT PROVIDES EQUIVALENT GRASPABILITY . CODE REFERENCE R311.7.8.3 GRIP-SIZE, 2012 IRC.



HD CL 78 RAIL PROFILE

FULL SCALE



Profile: **HD CL 79**

Height: $3 \frac{9}{16}$ "

Width: $3 \frac{7}{16}$ "

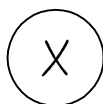
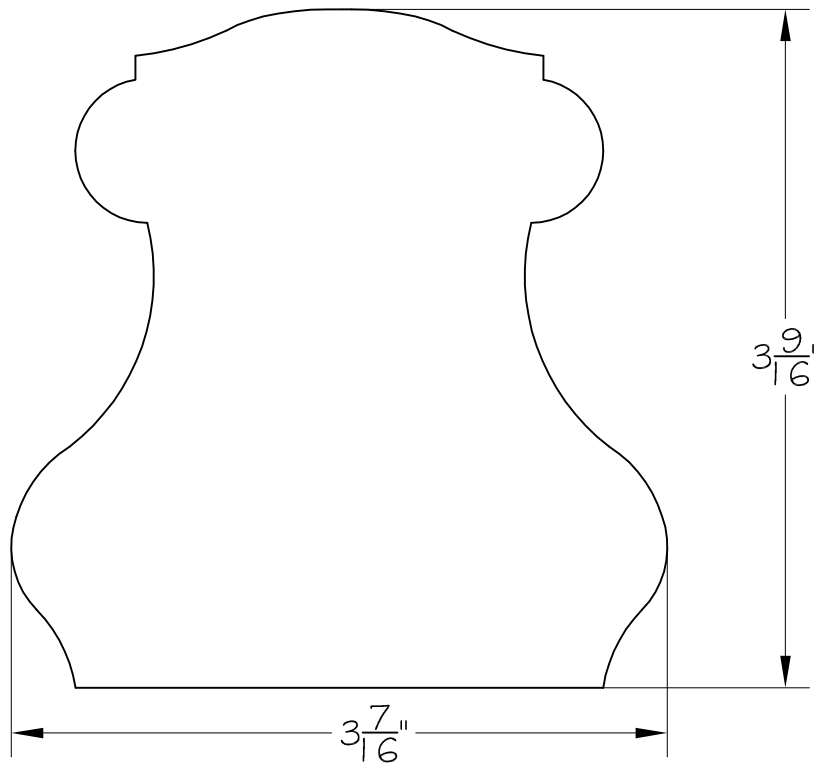
Width Adjustable:

24E Dorset Mill Road
Exeter, R.I. 02822
Phone: (401) 294-2235
Fax: (401) 295-1086
www.hdistair.com

Notes:

THIS HANDRAIL PROFILE MEETS TYPE II REQUIREMENTS. CODE REFERENCE R311.7.8.3 GRIP-SIZE, 2012 IRC.

FULL RAIL SECTION



HD CL 79 RAIL PROFILE

FULL SCALE



Profile: HD CL 80

Height: 3 1/8"

Width: 5 7/16"

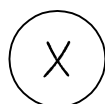
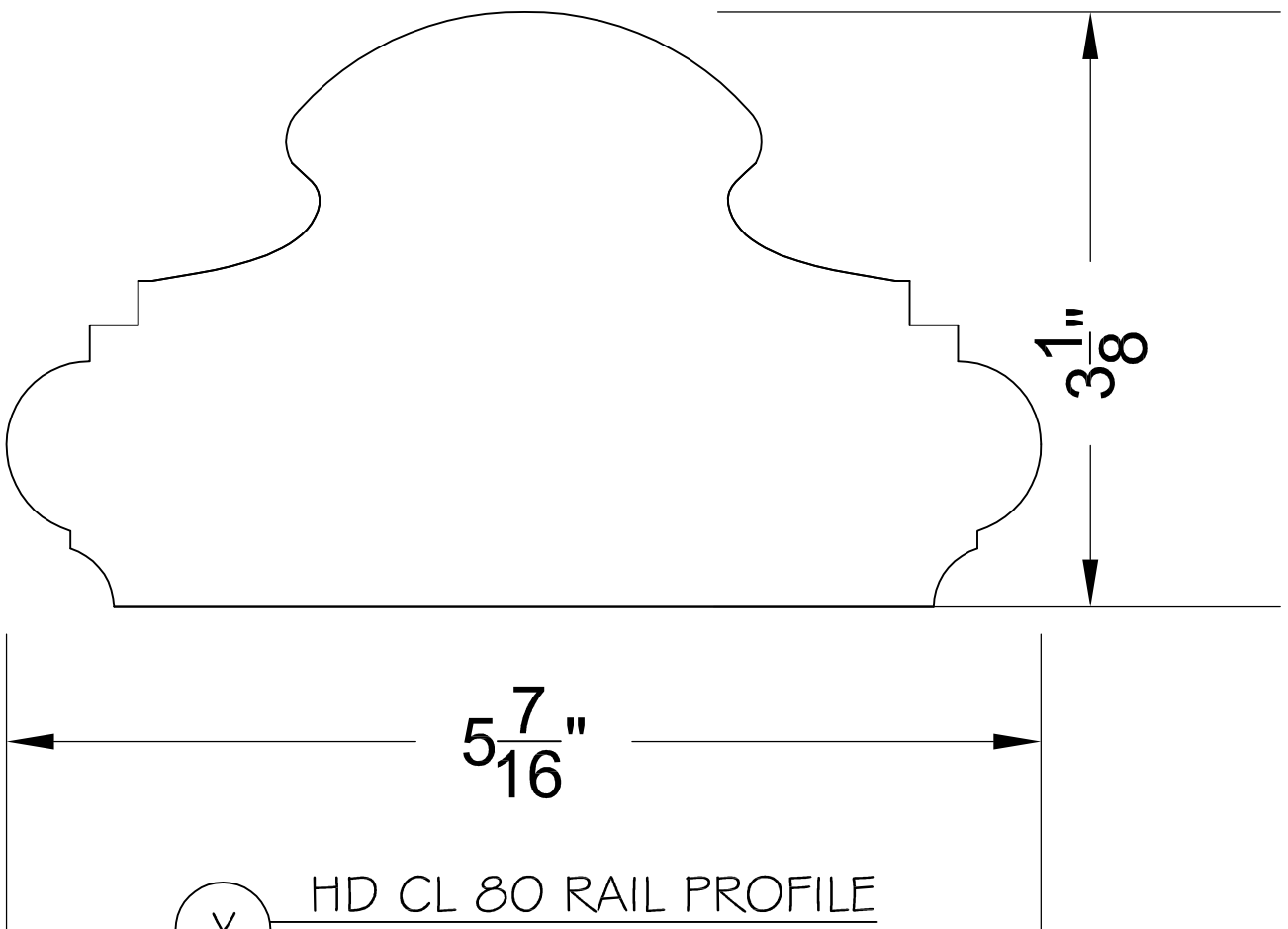
Width Adjustable:

24E Dorset Mill Road
Exeter, R.I. 02822
Phone: (401) 294-2235
Fax: (401) 295-1086
www.hdistair.com

Notes:

THIS HANDRAIL PROFILE DOES NOT MEET TYPE II REQUIREMENTS BUT IT MAY BE DETERMINED BY THE BUILDING INSPECTOR THAT IT PROVIDES EQUIVALENT GRASPABILITY . CODE REFERENCE R311.7.8.3 GRIP-SIZE, 2012 IRC.

FULL RAIL SECTION



HD CL 80 RAIL PROFILE

FULL SCALE



Profile: HD CL 81

Height: 2 3/4"

Width: 2 11/16"

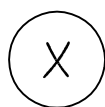
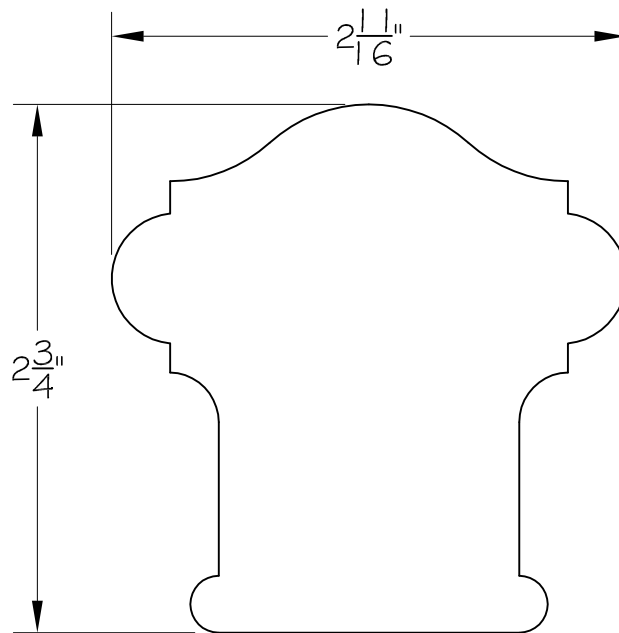
Width Adjustable:

24E Dorset Mill Road
Exeter, R.I. 02822
Phone: (401) 294-2235
Fax: (401) 295-1086
www.hdistair.com

Notes:

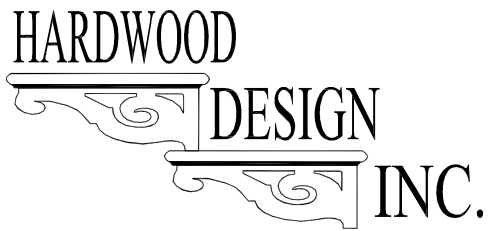
THIS HANDRAIL PROFILE DOES NOT MEET TYPE II REQUIREMENTS BUT IT MAY BE DETERMINED BY THE BUILDING INSPECTOR THAT IT PROVIDES EQUIVALENT GRASPABILITY . CODE REFERENCE R311.7.8.3 GRIP-SIZE, 2012 IRC.

FULL RAIL SECTION



HD CL 81 RAIL PROFILE

FULL SCALE



Profile: HD CL 82

Height: 3 3/16"

Width: 3 3/16"

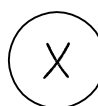
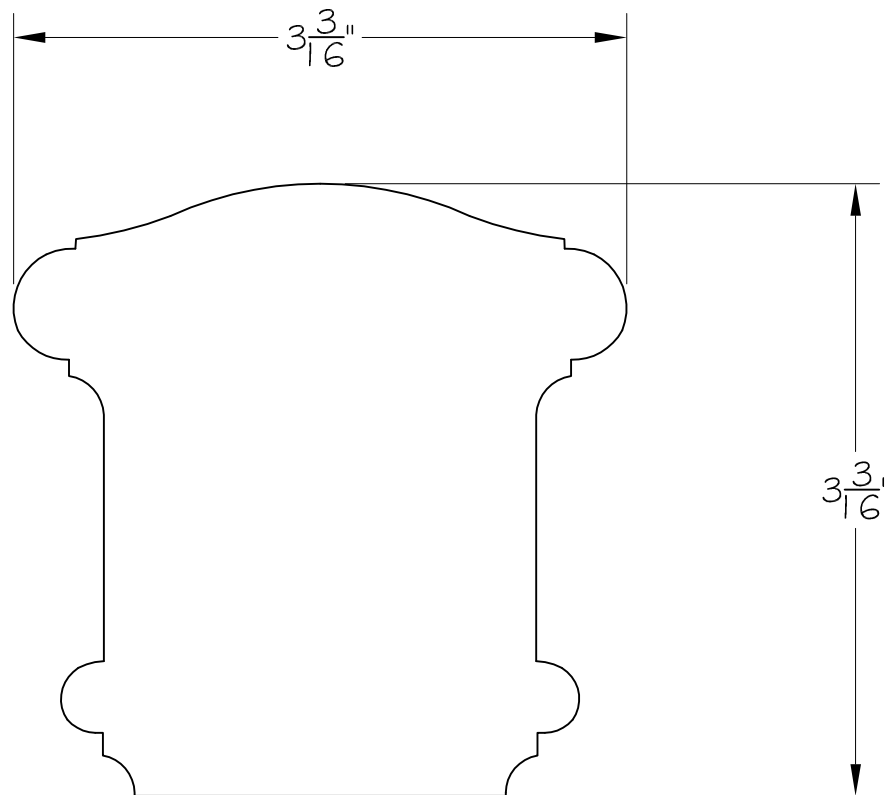
Width Adjustable:

24E Dorset Mill Road
Exeter, R.I. 02822
Phone: (401) 294-2235
Fax: (401) 295-1086
www.hdistair.com

Notes:

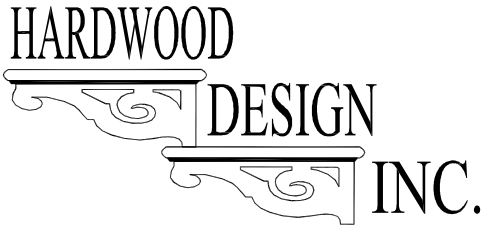
THIS HANDRAIL PROFILE DOES NOT MEET TYPE II REQUIREMENTS BUT IT MAY BE DETERMINED BY THE BUILDING INSPECTOR THAT IT PROVIDES EQUIVALENT GRASPABILITY . CODE REFERENCE R311.7.8.3 GRIP-SIZE, 2012 IRC.

FULL RAIL SECTION



HD CL 82 RAIL PROFILE

FULL SCALE



Profile: HD CL 83

Height: 2 3/4"

Width: 2 1/4"

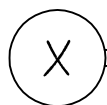
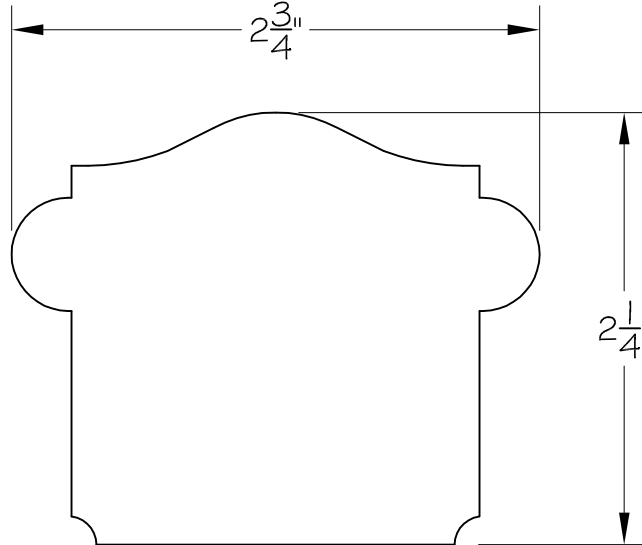
Width Adjustable:

24E Dorset Mill Road
Exeter, R.I. 02822
Phone: (401) 294-2235
Fax: (401) 295-1086
www.hdistair.com

Notes:

THIS HANDRAIL PROFILE MEETS TYPE II REQUIREMENTS. CODE REFERENCE R311.7.8.3 GRIP-SIZE, 2012 IRC.

FULL RAIL SECTION



HD CL 83 RAIL PROFILE

FULL SCALE



Profile: HD CL 84

Height: 3 3/8"

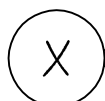
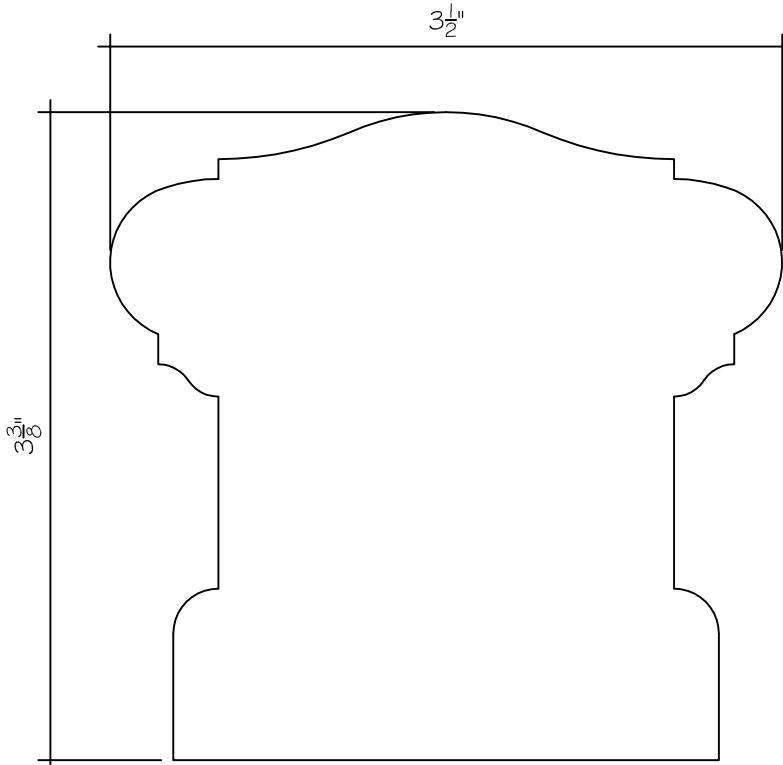
Width: 3 1/2"

Width Adjustable:

24E Dorset Mill Road
Exeter, R.I. 02822
Phone: (401) 294-2235
Fax: (401) 295-1086
www.hdistair.com

Notes:

THIS HANDRAIL PROFILE DOES NOT MEET TYPE II REQUIREMENTS BUT IT MAY BE DETERMINED BY THE BUILDING INSPECTOR THAT IT PROVIDES EQUIVALENT GRASPABILITY . CODE REFERENCE R311.7.8.3 GRIP-SIZE, 2012 IRC.



HD CL 84 RAIL PROFILE

FULL SCALE



Profile: HD CL 85

Height: 15/16

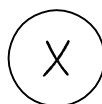
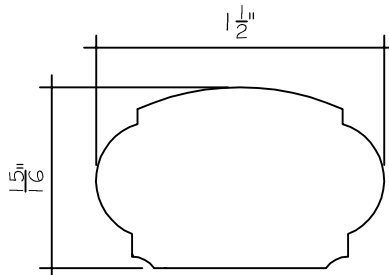
Width: 1 1/2"

Width Adjustable:

24E Dorset Mill Road
Exeter, R.I. 02822
Phone: (401) 294-2235
Fax: (401) 295-1086
www.hdistair.com

Notes:

THIS HANDRAIL PROFILE MEETS TYPE I REQUIREMENTS. CODE REFERENCE R311.7.8.3 GRIP-SIZE, 2012 IRC.



HD CL 85 RAIL PROFILE

FULL SCALE



Profile: HD CL 86

Height: 2 1/2"

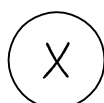
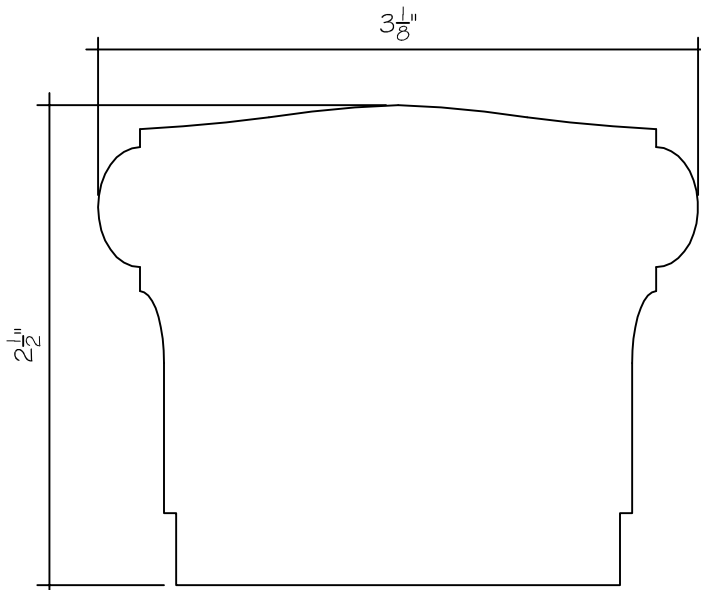
Width: 3 1/8"

Width Adjustable:

24E Dorset Mill Road
Exeter, R.I. 02822
Phone: (401) 294-2235
Fax: (401) 295-1086
www.hdistair.com

Notes:

THIS HANDRAIL PROFILE DOES NOT MEET TYPE II REQUIREMENTS BUT IT MAY BE DETERMINED BY THE BUILDING INSPECTOR THAT IT PROVIDES EQUIVALENT GRASPABILITY . CODE REFERENCE R311.7.8.3 GRIP-SIZE, 2012 IRC.



HD CL 86 RAIL PROFILE

FULL SCALE



Profile: HD CL 87

Height: 1 1/2"

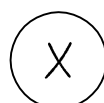
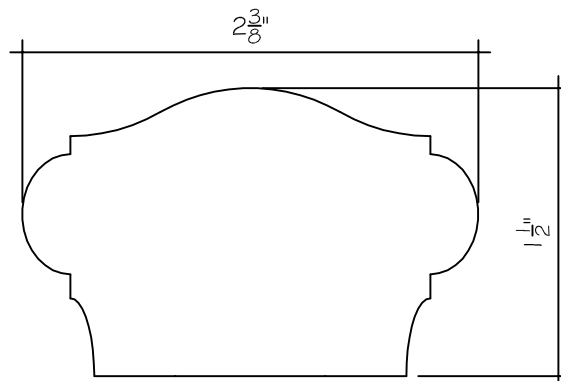
Width: 2 3/8"

Width Adjustable:

24E Dorset Mill Road
Exeter, R.I. 02822
Phone: (401) 294-2235
Fax: (401) 295-1086
www.hdistair.com

Notes:

THIS HANDRAIL PROFILE MEETS TYPE II REQUIREMENTS. CODE REFERENCE R311.7.8.3 GRIP-SIZE, 2012 IRC.



HD CL 87 RAIL PROFILE

FULL SCALE



Profile: HD CL 88

Height: 3 1/4"

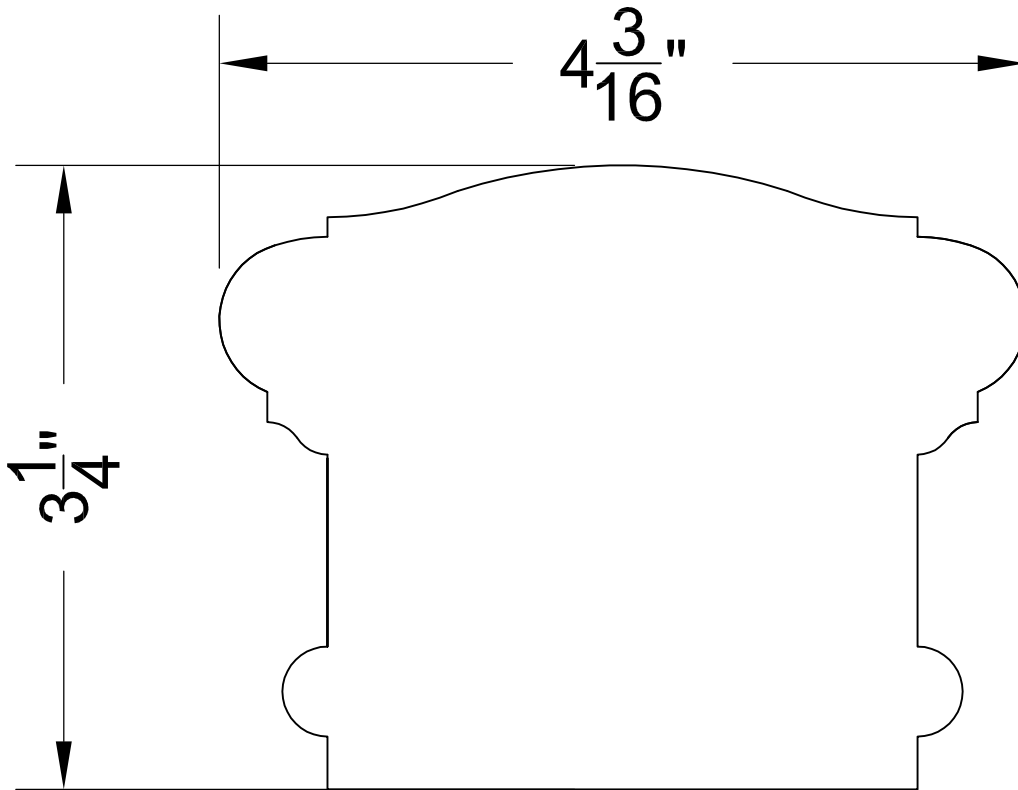
Width: 4 3/16"

Width Adjustable: Yes

24E Dorset Mill Road
Exeter, R.I. 02822
Phone: (401) 294-2235
Fax: (401) 295-1086
www.hdistair.com

Notes:

THIS HANDRAIL PROFILE DOES NOT MEET TYPE II REQUIREMENTS BUT IT MAY BE DETERMINED BY THE BUILDING INSPECTOR THAT IT PROVIDES EQUIVALENT GRASPABILITY . CODE REFERENCE R311.7.8.3 GRIP-SIZE, 2012 IRC.



(X) HD CL 88 RAIL PROFILE
FULL SCALE



Profile: HD CL 89

Height: $3 \frac{3}{8}$ "

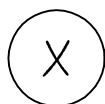
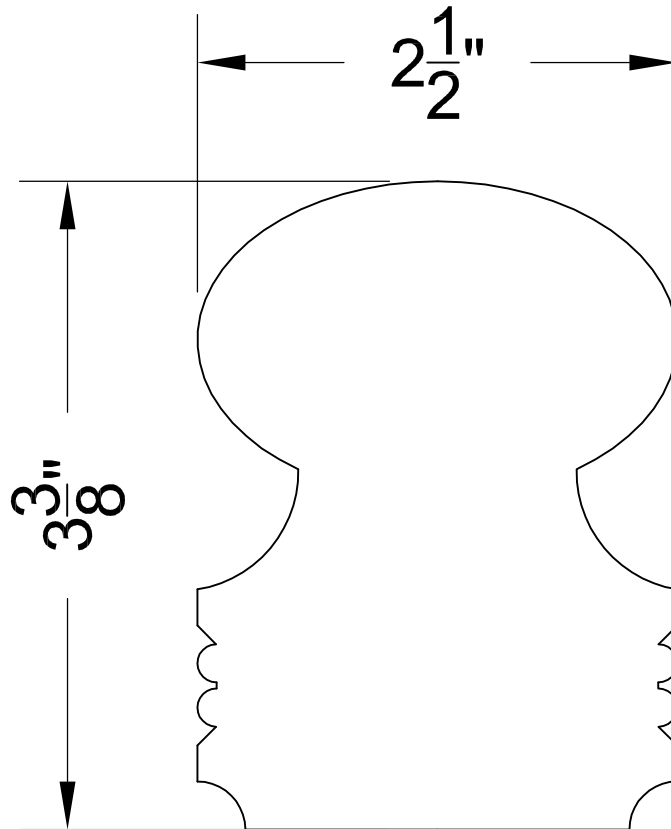
Width: $2 \frac{1}{2}$ "

Width Adjustable: Yes

24E Dorset Mill Road
Exeter, R.I. 02822
Phone: (401) 294-2235
Fax: (401) 295-1086
www.hdistair.com

Notes:

THIS HANDRAIL PROFILE MEETS TYPE II REQUIREMENTS. CODE REFERENCE R311.7.8.3 GRIP-SIZE, 2012 IRC.



HD CL 89 RAIL PROFILE

FULL SCALE

HARDWOOD DESIGN INC.

24E Dorset Mill Road
Exeter, R.I. 02822
Phone: (401) 294-2235
Fax: (401) 295-1086
www.hdistair.com

