



**Profile: HD CT 1**

**Height: 4 1/2"**

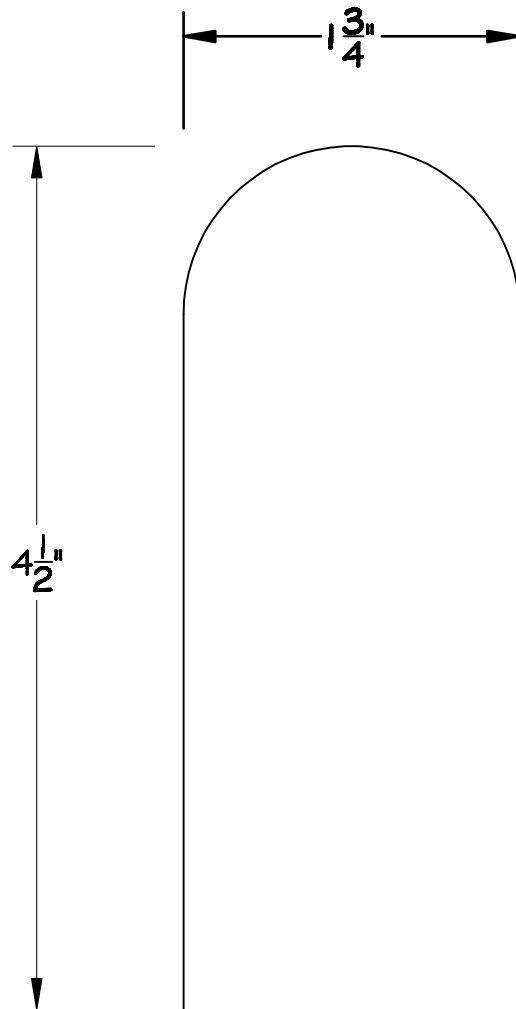
**Width: 1 3/4"**

**Width Adjustable: No**

24E Dorset Mill Road  
Exeter, R.I. 02822  
Phone: (401) 294-2235  
Fax: (401) 295-1086  
www.hdistair.com

**Notes:**

THIS HANDRAIL PROFILE DOES NOT MEET TYPE II REQUIREMENTS BUT IT MAY BE DETERMINED BY THE BUILDING INSPECTOR THAT IT PROVIDES EQUIVALENT GRASPABILITY . CODE REFERENCE R311.7.8.3 GRIP-SIZE, 2012 IRC.



**X** HD CT 1 RAIL PROFILE  
FULL SCALE



**Profile: HD CT 2**

**Height:** 5 1/2"

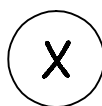
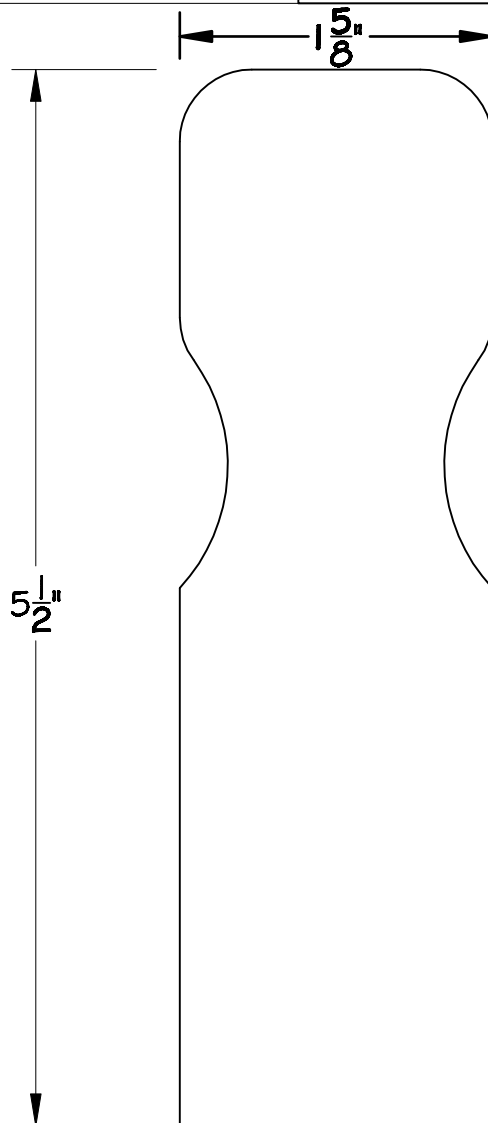
**Width:** 1 5/8"

**Width Adjustable:** No

24E Dorset Mill Road  
Exeter, R.I. 02822  
Phone: (401) 294-2235  
Fax: (401) 295-1086  
www.hdistair.com

**Notes:**

THIS HANDRAIL PROFILE DOES NOT MEET TYPE II REQUIREMENTS BUT IT MAY BE DETERMINED BY THE BUILDING INSPECTOR THAT IT PROVIDES EQUIVALENT GRASPABILITY . CODE REFERENCE R311.7.8.3 GRIP-SIZE, 2012 IRC.



**HD CT 2 RAIL PROFILE**

**FULL SCALE**



**Profile: HD CT 3**

**Height:**  $3 \frac{1}{4}''$  {+/-}

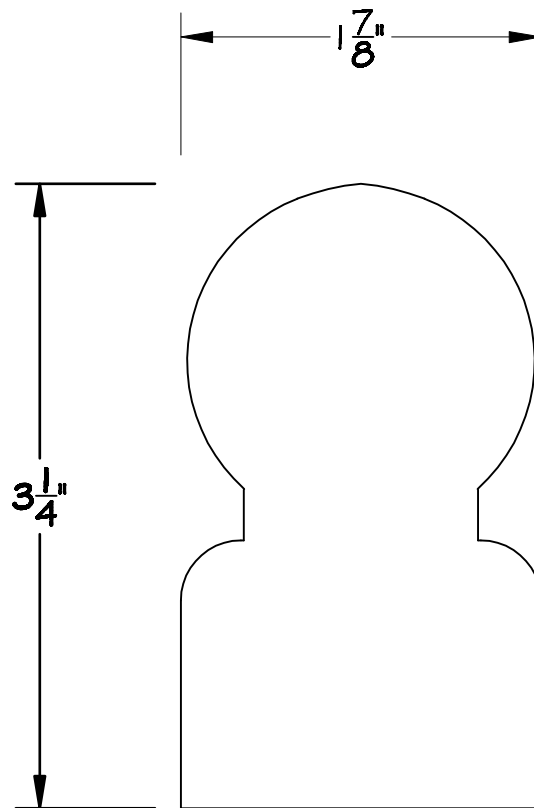
**Width:**  $1 \frac{7}{8}''$

**Width Adjustable:** No

24E Dorset Mill Road  
Exeter, R.I. 02822  
Phone: (401) 294-2235  
Fax: (401) 295-1086  
www.hdistair.com

**Notes:**

THIS HANDRAIL PROFILE DOES NOT MEET TYPE II REQUIREMENTS BUT IT MAY BE DETERMINED BY THE BUILDING INSPECTOR THAT IT PROVIDES EQUIVALENT GRASPABILITY . CODE REFERENCE R311.7.8.3 GRIP-SIZE, 2012 IRC.



(X) HD CT 3 RAIL PROFILE  
FULL SCALE



## Profile: HD CT 4

Height: 1-3/4"

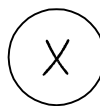
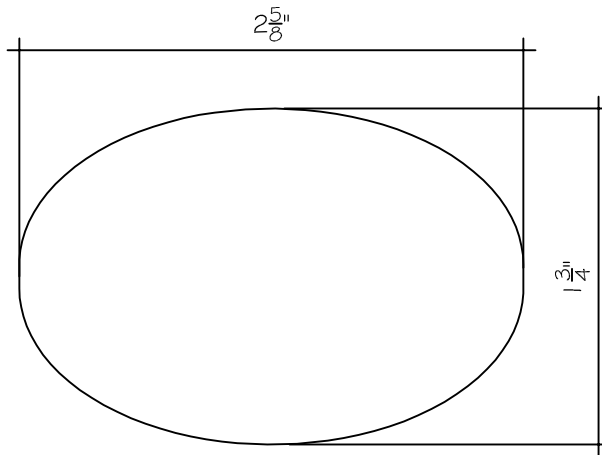
Width: 2-5/8"

Width Adjustable: No

24E Dorset Mill Road  
Exeter, R.I. 02822  
Phone: (401) 294-2235  
Fax: (401) 295-1086  
[www.hdistair.com](http://www.hdistair.com)

### Notes:

THIS HANDRAIL PROFILE DOES NOT MEET TYPE II REQUIREMENTS BUT IT MAY BE DETERMINED BY THE BUILDING INSPECTOR THAT IT PROVIDES EQUIVALENT GRASPABILITY . CODE REFERENCE R311.7.8.3 GRIP-SIZE, 2012 IRC.



HD CT 4 RAIL PROFILE

FULL SCALE



## Profile: HD CT 4 MOD

Height: 2"

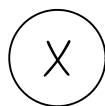
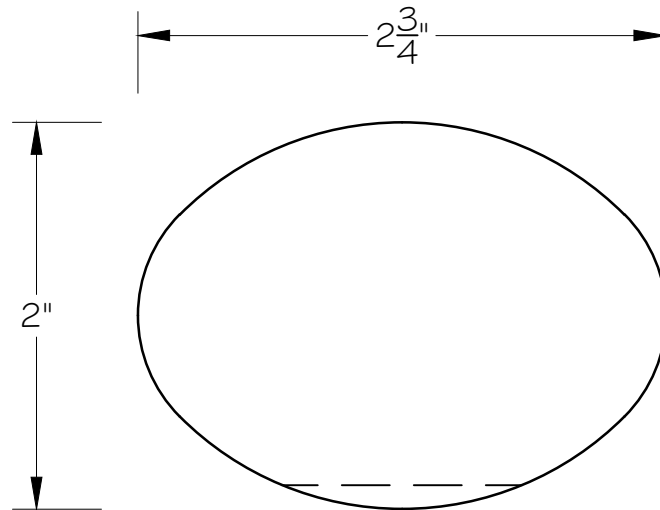
Width: 2 3/4"

Width Adjustable: No

24E Dorset Mill Road  
Exeter, R.I. 02822  
Phone: (401) 294-2235  
Fax: (401) 295-1086  
www.hdistair.com

### Notes:

THIS HANDRAIL PROFILE DOES NOT MEET TYPE II REQUIREMENTS BUT IT MAY BE DETERMINED BY THE BUILDING INSPECTOR THAT IT PROVIDES EQUIVALENT GRASPABILITY . CODE REFERENCE R311.7.8.3 GRIP-SIZE, 2012 IRC.



HD CT 4 MOD RAIL PROFILE

FULL SCALE



**Profile: HD CT 5**

**Height: 3 3/8"**

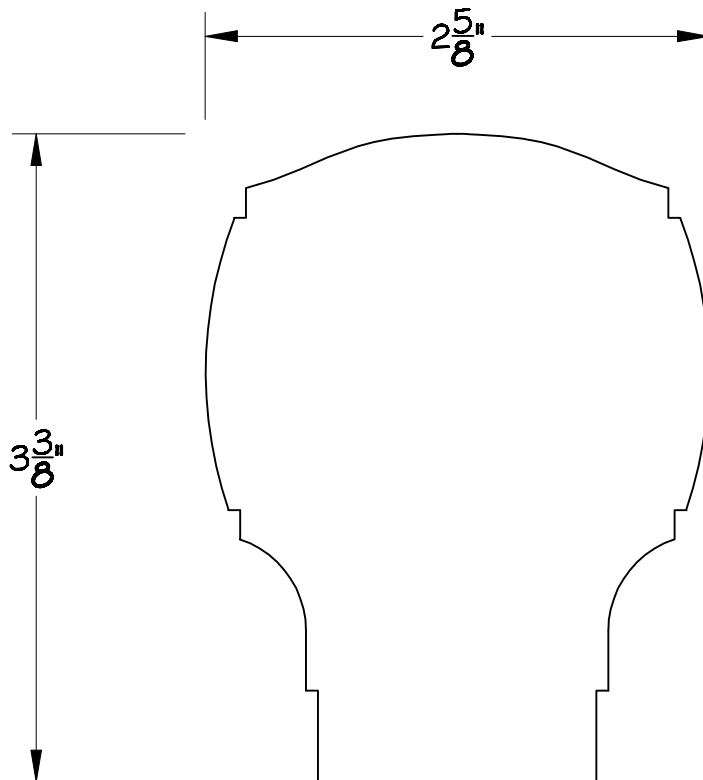
**Width: 2 5/8"**

**Width Adjustable: Yes**

24E Dorset Mill Road  
Exeter, R.I. 02822  
Phone: (401) 294-2235  
Fax: (401) 295-1086  
www.hdistair.com

**Notes:**

THIS HANDRAIL PROFILE DOES NOT MEET TYPE II REQUIREMENTS BUT IT MAY BE DETERMINED BY THE BUILDING INSPECTOR THAT IT PROVIDES EQUIVALENT GRASPABILITY . CODE REFERENCE R311.7.8.3 GRIP-SIZE, 2012 IRC.



**X** HD CT 5 RAIL PROFILE  
FULL SCALE



**Profile: HD CT 6**

**Height: 2 1/4"**

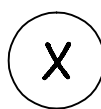
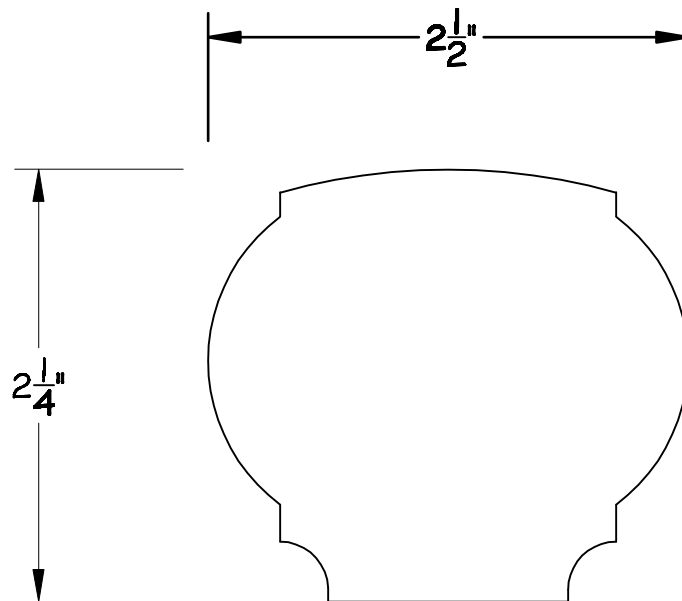
**Width: 2 1/2"**

**Width Adjustable: Yes**

24E Dorset Mill Road  
Exeter, R.I. 02822  
Phone: (401) 294-2235  
Fax: (401) 295-1086  
www.hdistair.com

**Notes:**

THIS HANDRAIL PROFILE DOES NOT MEET TYPE II REQUIREMENTS BUT IT MAY BE DETERMINED BY THE BUILDING INSPECTOR THAT IT PROVIDES EQUIVALENT GRASPABILITY . CODE REFERENCE R311.7.8.3 GRIP-SIZE, 2012 IRC.



**HD CT 6 RAIL PROFILE**

**FULL SCALE**



**Profile: HD CT 7**

Height: 3"

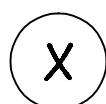
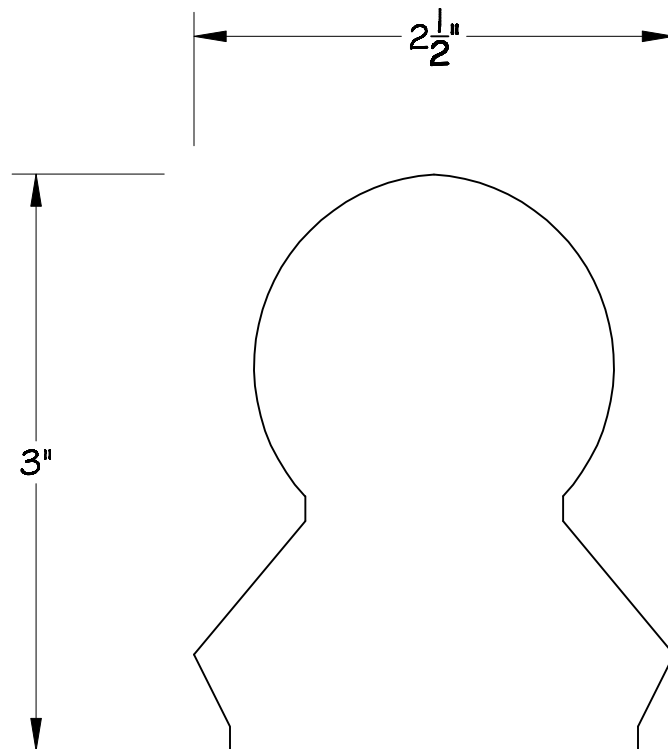
Width: 2 1/2"

Width Adjustable: No

24E Dorset Mill Road  
Exeter, R.I. 02822  
Phone: (401) 294-2235  
Fax: (401) 295-1086  
www.hdistair.com

**Notes:**

THIS HANDRAIL PROFILE DOES NOT MEET TYPE II REQUIREMENTS BUT IT MAY BE DETERMINED BY THE BUILDING INSPECTOR THAT IT PROVIDES EQUIVALENT GRASPABILITY . CODE REFERENCE R311.7.8.3 GRIP-SIZE, 2012 IRC.



**HD CT 7 RAIL PROFILE**

**FULL SCALE**





**Profile: HD CT 8**

**Height: 3 1/4"**

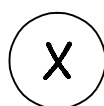
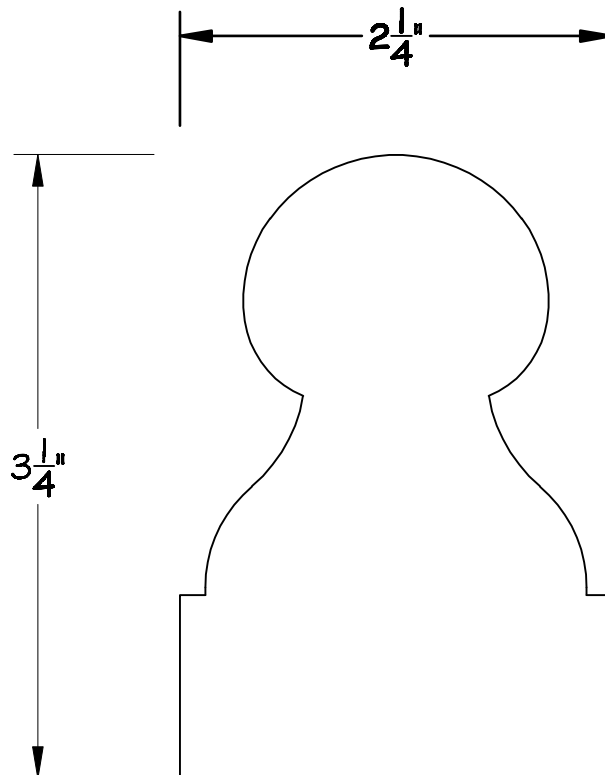
**Width: 2 1/4"**

**Width Adjustable: Yes**

24E Dorset Mill Road  
Exeter, R.I. 02822  
Phone: (401) 294-2235  
Fax: (401) 295-1086  
www.hdistair.com

**Notes:**

THIS HANDRAIL PROFILE DOES NOT MEET TYPE II REQUIREMENTS BUT IT MAY BE DETERMINED BY THE BUILDING INSPECTOR THAT IT PROVIDES EQUIVALENT GRASPABILITY . CODE REFERENCE R311.7.8.3 GRIP-SIZE, 2012 IRC.



**HD CT 8 RAIL PROFILE**

**FULL SCALE**



**Profile: HD CT 9**

Height: 1 15/16"

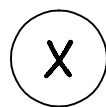
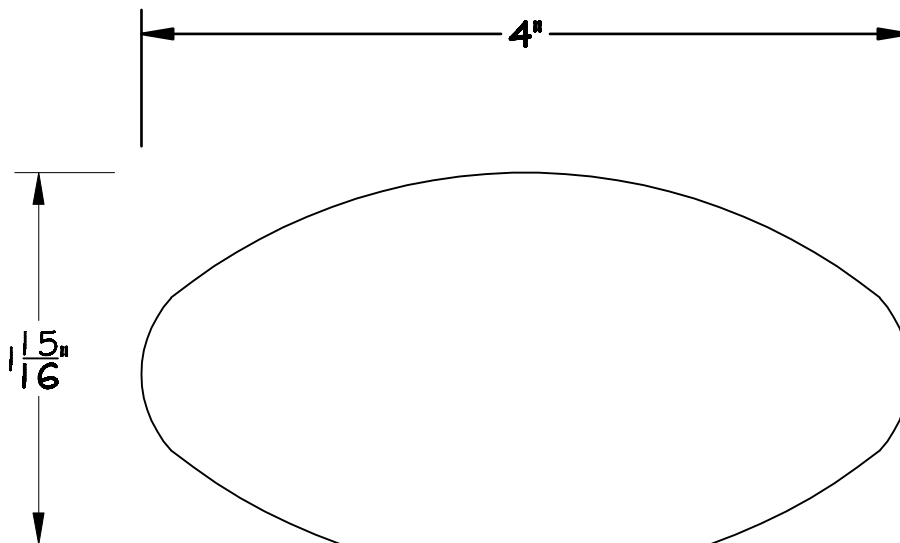
Width: 4"

Width Adjustable: No

24E Dorset Mill Road  
Exeter, R.I. 02822  
Phone: (401) 294-2235  
Fax: (401) 295-1086  
www.hdistair.com

**Notes:**

THIS HANDRAIL PROFILE DOES NOT MEET TYPE II REQUIREMENTS BUT IT MAY BE DETERMINED BY THE BUILDING INSPECTOR THAT IT PROVIDES EQUIVALENT GRASPABILITY . CODE REFERENCE R311.7.8.3 GRIP-SIZE, 2012 IRC.



**HD CT 9 RAIL PROFILE**

**FULL SCALE**



**Profile: HD CT 10**

**Height:** 5 1/2" (+/-)

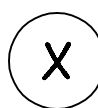
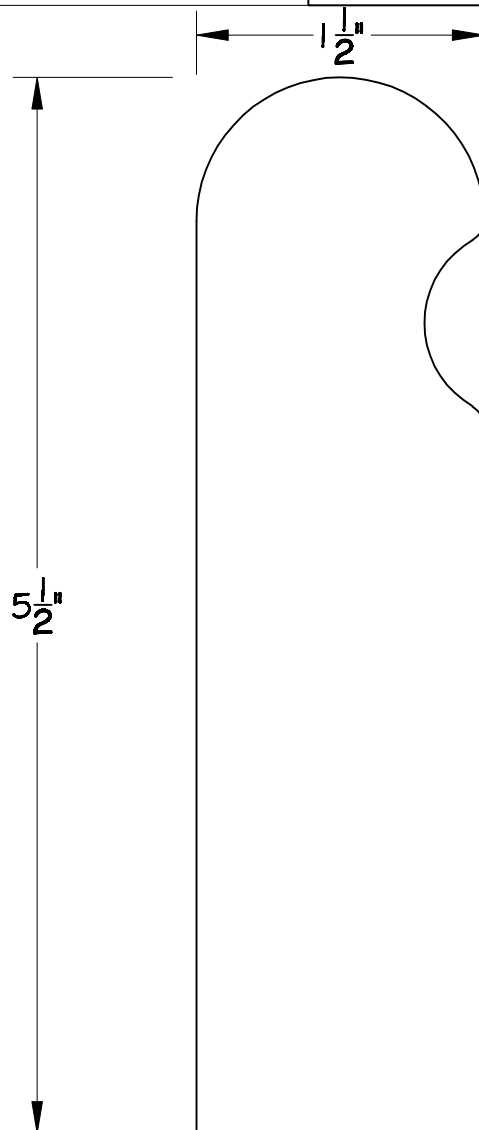
**Width:** 1 1/2"

**Width Adjustable:** No

24E Dorset Mill Road  
Exeter, R.I. 02822  
Phone: (401) 294-2235  
Fax: (401) 295-1086  
www.hdistair.com

**Notes:**

THIS HANDRAIL PROFILE DOES NOT MEET TYPE II REQUIREMENTS BUT IT MAY BE DETERMINED BY THE BUILDING INSPECTOR THAT IT PROVIDES EQUIVALENT GRASPABILITY . CODE REFERENCE R311.7.8.3 GRIP-SIZE, 2012 IRC.



**HD CT 10 RAIL PROFILE**

**FULL SCALE**



**Profile: HD CT 11**

Height: 3 1/2"

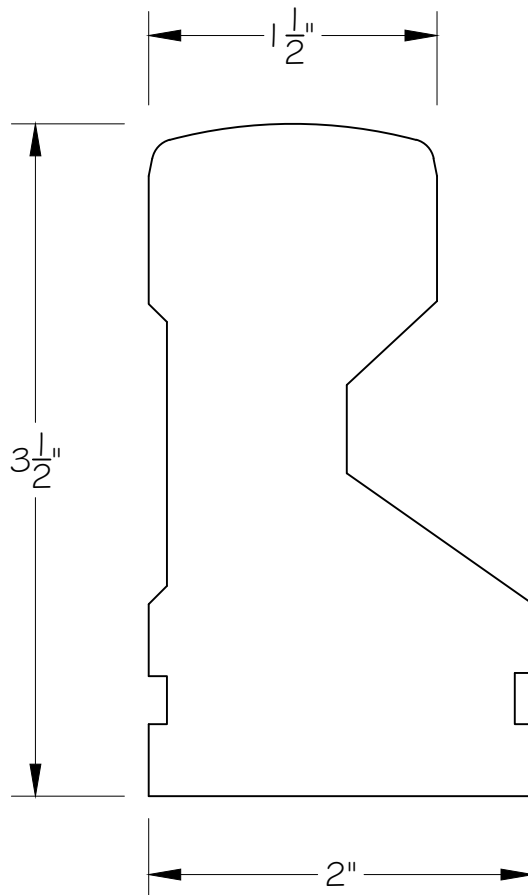
Width: 2"

Width Adjustable: No

24E Dorset Mill Road  
Exeter, R.I. 02822  
Phone: (401) 294-2235  
Fax: (401) 295-1086  
www.hdistair.com

**Notes:**

THIS HANDRAIL PROFILE DOES NOT MEET TYPE II REQUIREMENTS BUT IT MAY BE DETERMINED BY THE BUILDING INSPECTOR THAT IT PROVIDES EQUIVALENT GRASPABILITY . CODE REFERENCE R311.7.8.3 GRIP-SIZE, 2012 IRC.



(X) HD CT 11 RAIL PROFILE  
FULL SCALE



## Profile: HD CT 12 A

Height: 3" {+/-}

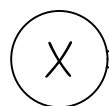
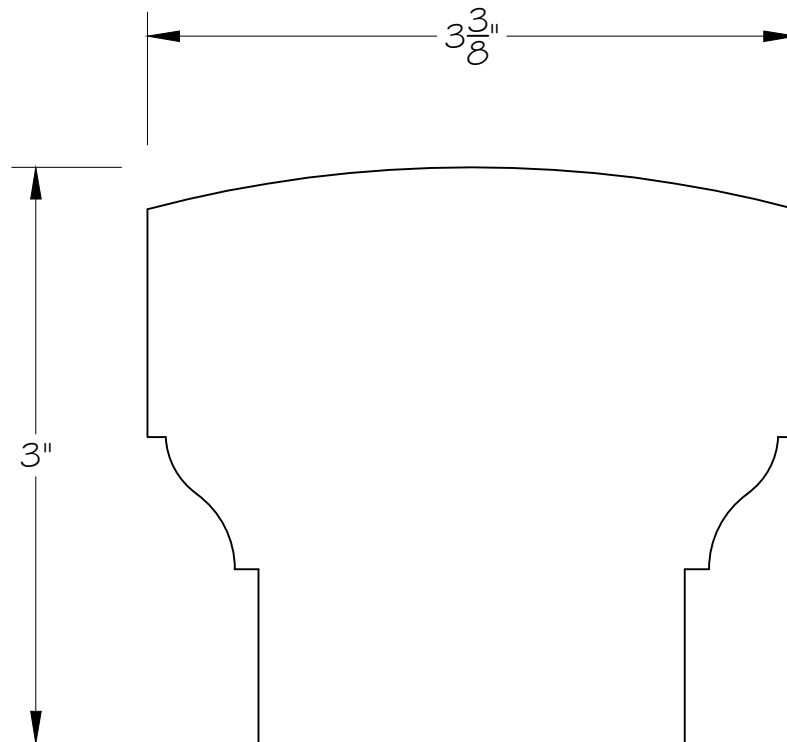
Width: 3 3/8" {+/-}

Width Adjustable: Yes

24E Dorset Mill Road  
Exeter, R.I. 02822  
Phone: (401) 294-2235  
Fax: (401) 295-1086  
www.hdistair.com

### Notes:

THIS HANDRAIL PROFILE DOES NOT MEET TYPE II REQUIREMENTS BUT IT MAY BE DETERMINED BY THE BUILDING INSPECTOR THAT IT PROVIDES EQUIVALENT GRASPABILITY . CODE REFERENCE R311.7.8.3 GRIP-SIZE, 2012 IRC.



HD CT 12 A RAIL PROFILE

FULL SCALE



**Profile: HD CT 12 B**

Height: 3" {+/-}

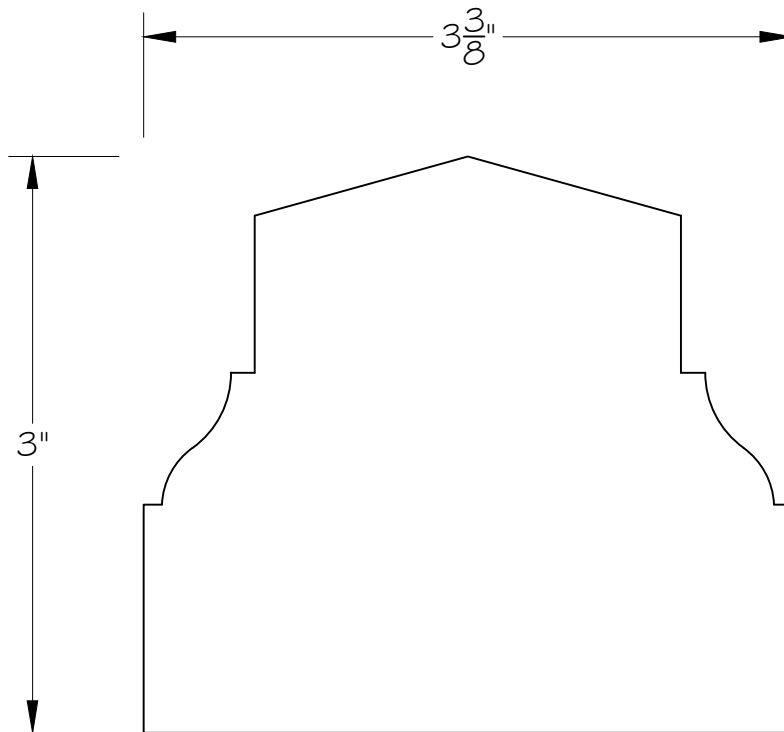
Width: 3 3/8" {+/-}

Width Adjustable: Yes

24E Dorset Mill Road  
Exeter, R.I. 02822  
Phone: (401) 294-2235  
Fax: (401) 295-1086  
www.hdistair.com

**Notes:**

THIS HANDRAIL PROFILE DOES NOT MEET TYPE II REQUIREMENTS BUT IT MAY BE DETERMINED BY THE BUILDING INSPECTOR THAT IT PROVIDES EQUIVALENT GRASPABILITY . CODE REFERENCE R311.7.8.3 GRIP-SIZE, 2012 IRC.



(X) HD CT 12 B RAIL PROFILE  
FULL SCALE



**Profile: HD CT 13**

**Height:** 3 1/2" {+/-}

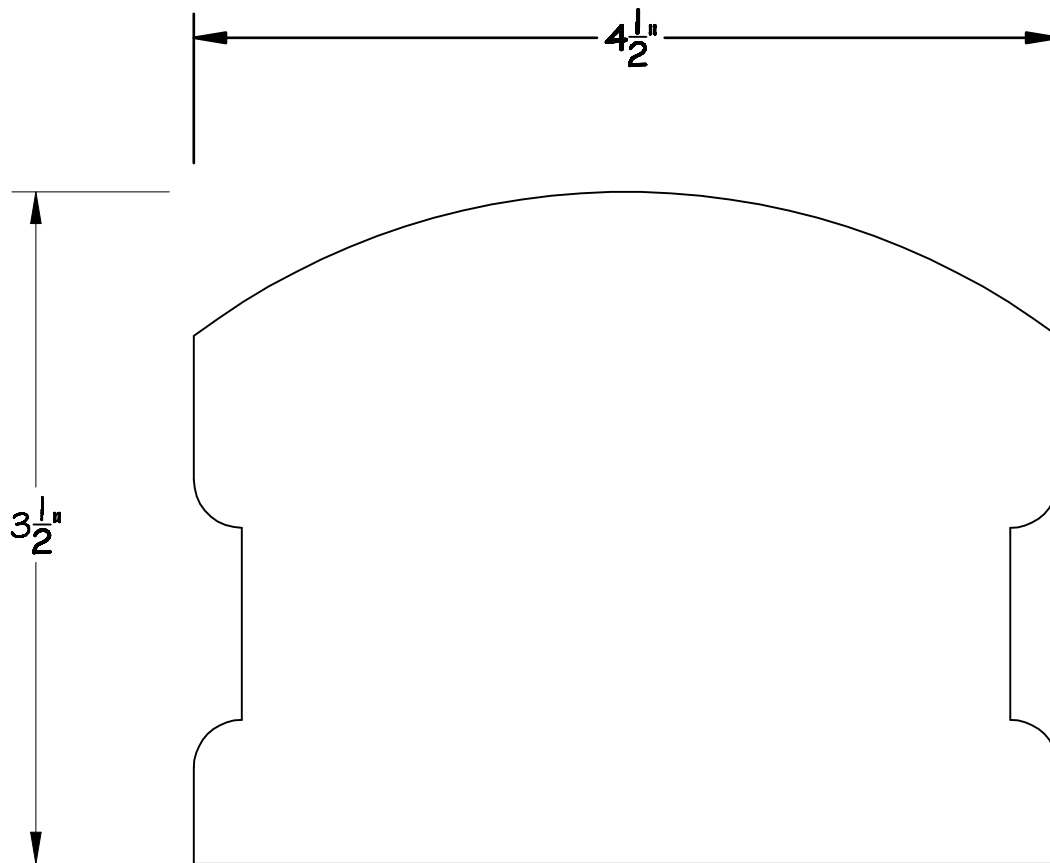
**Width:** 4 1/2" {+/-}

**Width Adjustable:** Yes

24E Dorset Mill Road  
Exeter, R.I. 02822  
Phone: (401) 294-2235  
Fax: (401) 295-1086  
www.hdistair.com

**Notes:**

THIS HANDRAIL PROFILE DOES NOT MEET TYPE II REQUIREMENTS BUT IT MAY BE DETERMINED BY THE BUILDING INSPECTOR THAT IT PROVIDES EQUIVALENT GRASPABILITY . CODE REFERENCE R311.7.8.3 GRIP-SIZE, 2012 IRC.



**X** HD CT 13 RAIL PROFILE  
FULL SCALE



**Profile: HD CT 14**

Height:  $2 \frac{3}{16}$ " {+/-}

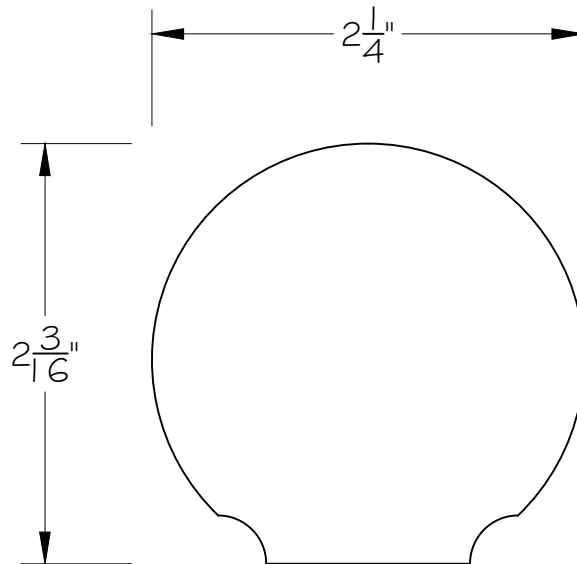
Width:  $2 \frac{1}{4}$ " {+/-}

Width Adjustable: No

24E Dorset Mill Road  
Exeter, R.I. 02822  
Phone: (401) 294-2235  
Fax: (401) 295-1086  
www.hdistair.com

**Notes:**

THIS HANDRAIL PROFILE DOES NOT MEET TYPE I REQUIREMENTS BUT IT MAY BE DETERMINED BY THE BUILDING INSPECTOR THAT IT PROVIDES EQUIVALENT GRASPABILITY . CODE REFERENCE R311.7.8.3 GRIP-SIZE, 2012 IRC.



X HD CT 14 RAIL PROFILE  
FULL SCALE





**Profile: HD CT 15**

Height: 2"

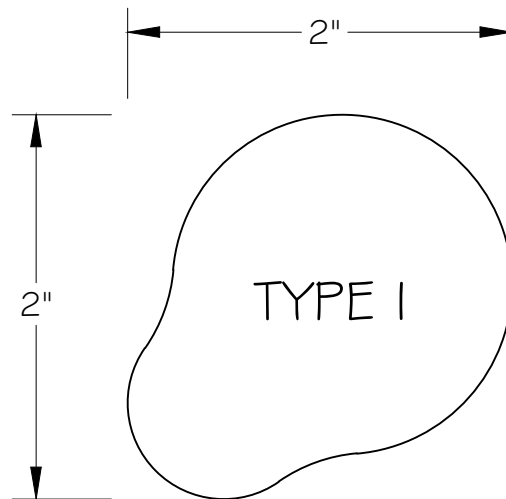
Width: 2"

Width Adjustable: No

24E Dorset Mill Road  
Exeter, R.I. 02822  
Phone: (401) 294-2235  
Fax: (401) 295-1086  
www.hdistair.com

**Notes:**

THIS HANDRAIL PROFILE MEETS TYPE I REQUIREMENTS. CODE REFERENCE R311.7.8.3 GRIP-SIZE, 2012 IRC.



X HD CT 15 RAIL PROFILE  
FULL SCALE



**Profile: HD CT 16**

**Height: 3"**

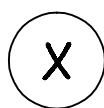
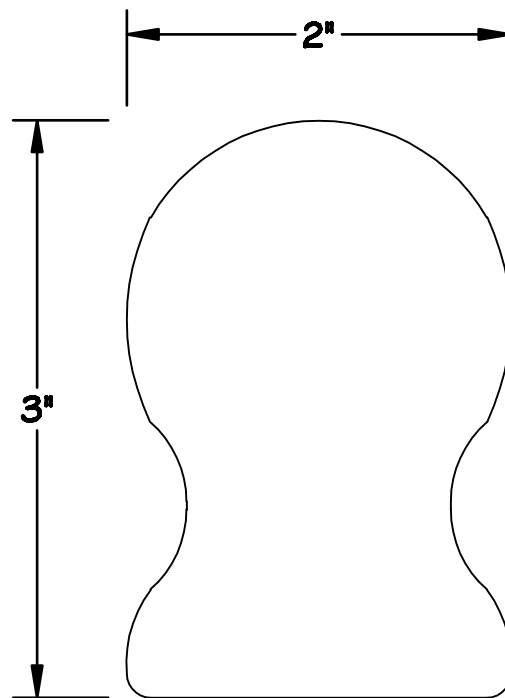
**Width: 2"**

**Width Adjustable: No**

24E Dorset Mill Road  
Exeter, R.I. 02822  
Phone: (401) 294-2235  
Fax: (401) 295-1086  
www.hdistair.com

**Notes:**

THIS HANDRAIL PROFILE DOES NOT MEET TYPE II REQUIREMENTS BUT IT MAY BE DETERMINED BY THE BUILDING INSPECTOR THAT IT PROVIDES EQUIVALENT GRASPABILITY . CODE REFERENCE R311.7.8.3 GRIP-SIZE, 2012 IRC.



**HD CT 16 RAIL PROFILE**

**FULL SCALE**



**Profile: HD CT 17**

Height:  $2 \frac{5}{16}$ "

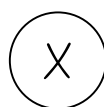
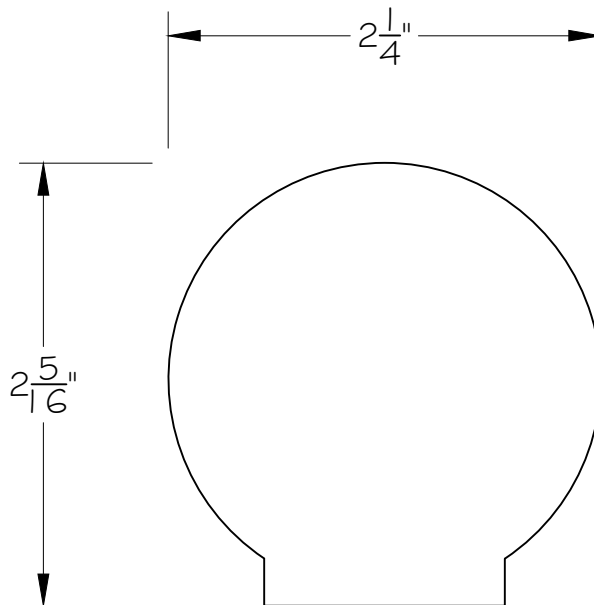
Width:  $2 \frac{1}{4}$ "

Width Adjustable: No

24E Dorset Mill Road  
Exeter, R.I. 02822  
Phone: (401) 294-2235  
Fax: (401) 295-1086  
www.hdistair.com

**Notes:**

THIS HANDRAIL PROFILE DOES NOT MEET TYPE I REQUIREMENTS BUT IT MAY BE DETERMINED BY THE BUILDING INSPECTOR THAT IT PROVIDES EQUIVALENT GRASPABILITY . CODE REFERENCE R311.7.8.3 GRIP-SIZE, 2012 IRC.



HD CT 17 RAIL PROFILE

FULL SCALE



**Profile: HD CT 18**

**Height: 3 3/4"**

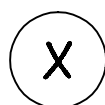
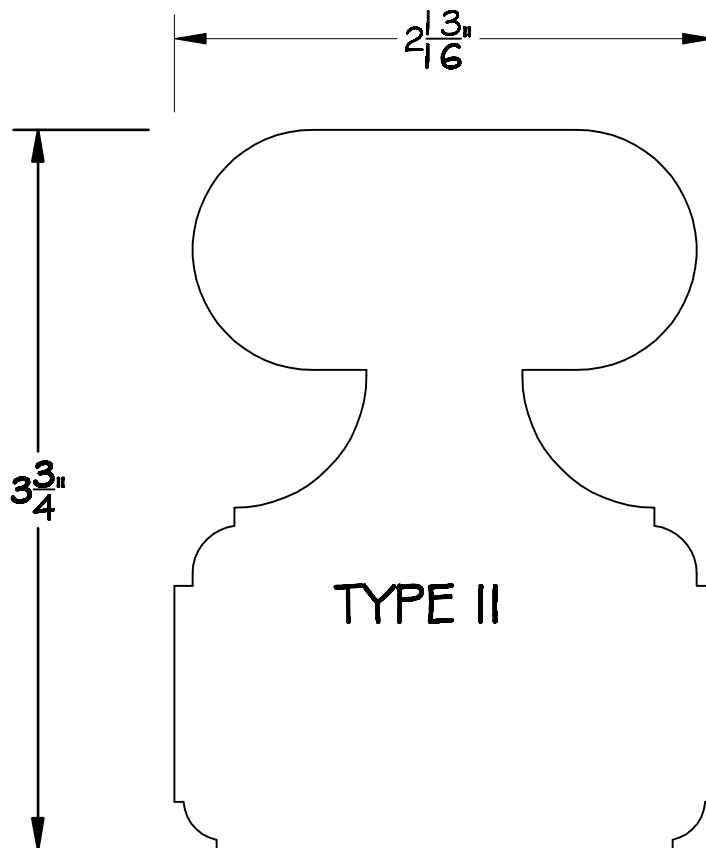
**Width: 2 13/16"**

**Width Adjustable: Yes**

24E Dorset Mill Road  
Exeter, R.I. 02822  
Phone: (401) 294-2235  
Fax: (401) 295-1086  
www.hdistair.com

**Notes:**

THIS HANDRAIL PROFILE MEETS TYPE II REQUIREMENTS. CODE REFERENCE R311.7.8.3 GRIP-SIZE, 2012 IRC.



**HD CT 18 RAIL PROFILE**

**FULL SCALE**



**Profile: HD CT 19**

**Height: 2 1/8"**

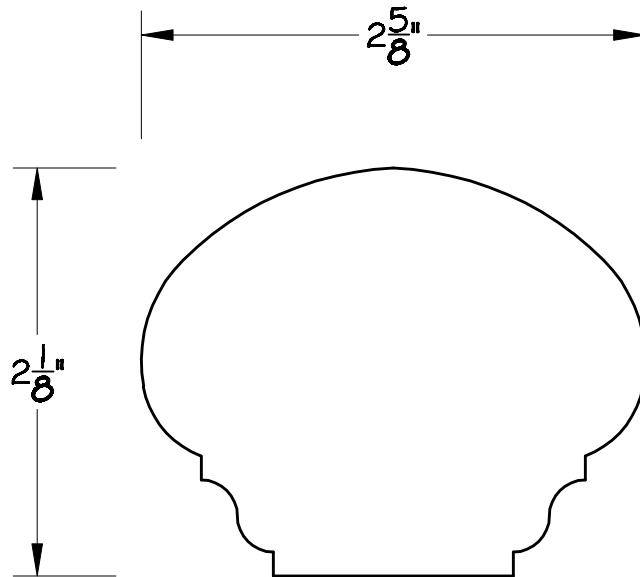
**Width: 2 5/8"**

**Width Adjustable: Yes**

24E Dorset Mill Road  
Exeter, R.I. 02822  
Phone: (401) 294-2235  
Fax: (401) 295-1086  
www.hdistair.com

**Notes:**

THIS HANDRAIL PROFILE DOES NOT MEET TYPE II REQUIREMENTS BUT IT MAY BE DETERMINED BY THE BUILDING INSPECTOR THAT IT PROVIDES EQUIVALENT GRASPABILITY . CODE REFERENCE R311.7.8.3 GRIP-SIZE, 2012 IRC.



**X** HD CT 19 RAIL PROFILE  
FULL SCALE



**Profile: HD CT 20**

Height: 1 5/8"

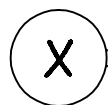
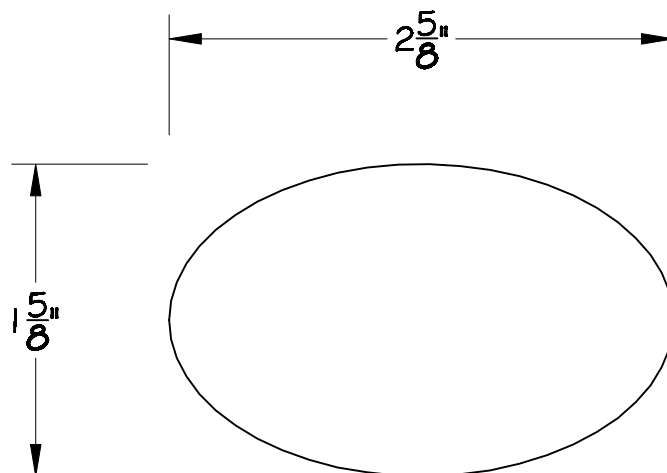
Width: 2 5/8"

Width Adjustable: No

24E Dorset Mill Road  
Exeter, R.I. 02822  
Phone: (401) 294-2235  
Fax: (401) 295-1086  
www.hdistair.com

**Notes:**

THIS HANDRAIL PROFILE DOES NOT MEET TYPE II REQUIREMENTS BUT IT MAY BE DETERMINED BY THE BUILDING INSPECTOR THAT IT PROVIDES EQUIVALENT GRASPABILITY . CODE REFERENCE R311.7.8.3 GRIP-SIZE, 2012 IRC.



**HD CT 20 RAIL PROFILE**

**FULL SCALE**



**Profile: HD CT 21**

**Height: 1 7/8"**

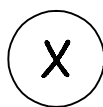
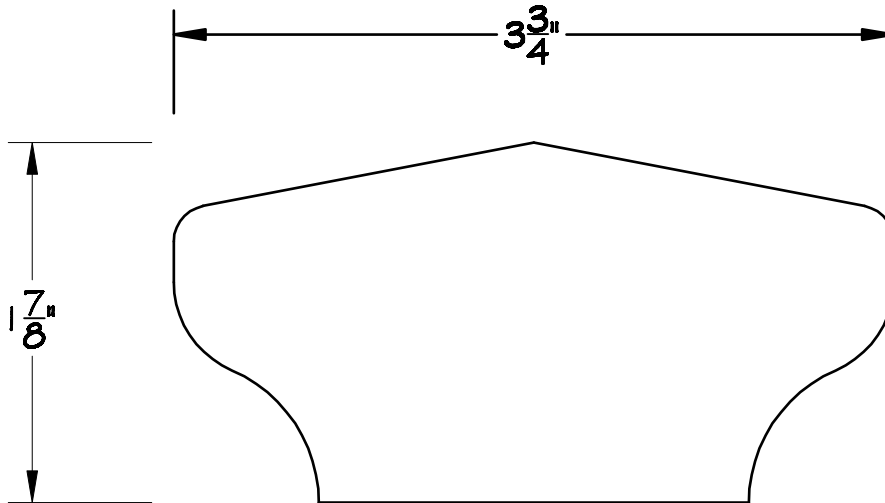
**Width: 3 3/4"**

**Width Adjustable: No**

24E Dorset Mill Road  
Exeter, R.I. 02822  
Phone: (401) 294-2235  
Fax: (401) 295-1086  
www.hdistair.com

**Notes:**

THIS HANDRAIL PROFILE DOES NOT MEET TYPE II REQUIREMENTS BUT IT MAY BE DETERMINED BY THE BUILDING INSPECTOR THAT IT PROVIDES EQUIVALENT GRASPABILITY . CODE REFERENCE R311.7.8.3 GRIP-SIZE, 2012 IRC.



**HD CT 21 RAIL PROFILE**

**FULL SCALE**



**Profile: HD CT 22**

**Height: 2 1/4"**

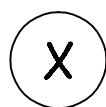
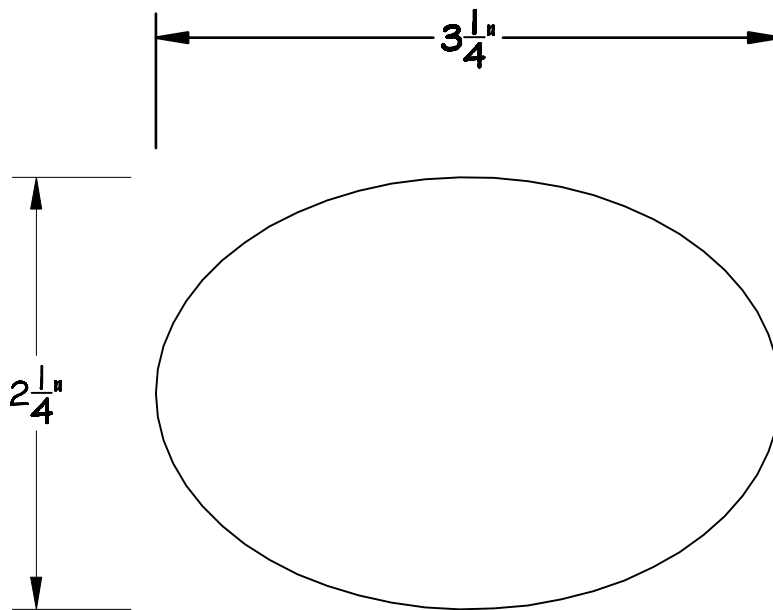
**Width: 3 1/4"**

**Width Adjustable: No**

24E Dorset Mill Road  
Exeter, R.I. 02822  
Phone: (401) 294-2235  
Fax: (401) 295-1086  
www.hdistair.com

**Notes:**

THIS HANDRAIL PROFILE DOES NOT MEET TYPE II REQUIREMENTS BUT IT MAY BE DETERMINED BY THE BUILDING INSPECTOR THAT IT PROVIDES EQUIVALENT GRASPABILITY . CODE REFERENCE R311.7.8.3 GRIP-SIZE, 2012 IRC.



**HD CT 22 RAIL PROFILE**

**FULL SCALE**





**Profile: HD CT 23**

**Height: 1 3/4"**

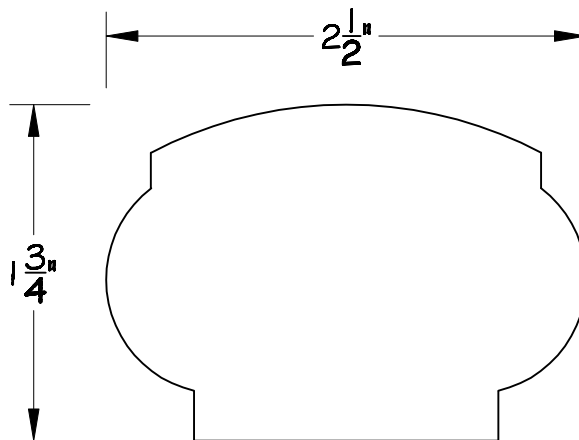
**Width: 2 1/2"**

**Width Adjustable: No**

24E Dorset Mill Road  
Exeter, R.I. 02822  
Phone: (401) 294-2235  
Fax: (401) 295-1086  
www.hdistair.com

**Notes:**

THIS HANDRAIL PROFILE DOES NOT MEET TYPE II REQUIREMENTS BUT IT MAY BE DETERMINED BY THE BUILDING INSPECTOR THAT IT PROVIDES EQUIVALENT GRASPABILITY . CODE REFERENCE R311.7.8.3 GRIP-SIZE, 2012 IRC.



**X** HD CT 23 RAIL PROFILE  
FULL SCALE



**Profile: HD CT 24**

Height: 3"

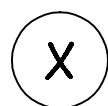
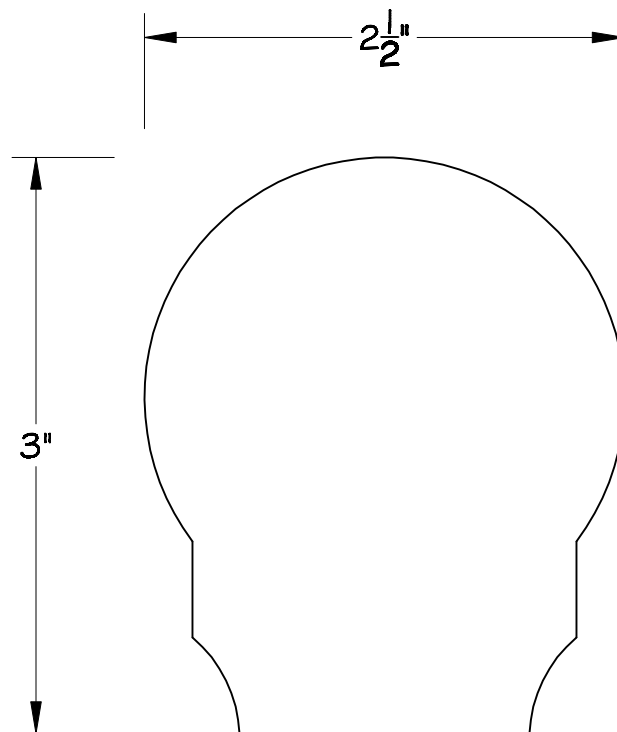
Width: 2 1/2"

Width Adjustable: No

24E Dorset Mill Road  
Exeter, R.I. 02822  
Phone: (401) 294-2235  
Fax: (401) 295-1086  
www.hdistair.com

**Notes:**

THIS HANDRAIL PROFILE DOES NOT MEET TYPE II REQUIREMENTS BUT IT MAY BE DETERMINED BY THE BUILDING INSPECTOR THAT IT PROVIDES EQUIVALENT GRASPABILITY . CODE REFERENCE R311.7.8.3 GRIP-SIZE, 2012 IRC.



**HD CT 24 RAIL PROFILE**

**FULL SCALE**



**Profile: HD CT 25**

**Height: 2 5/8"**

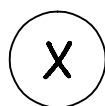
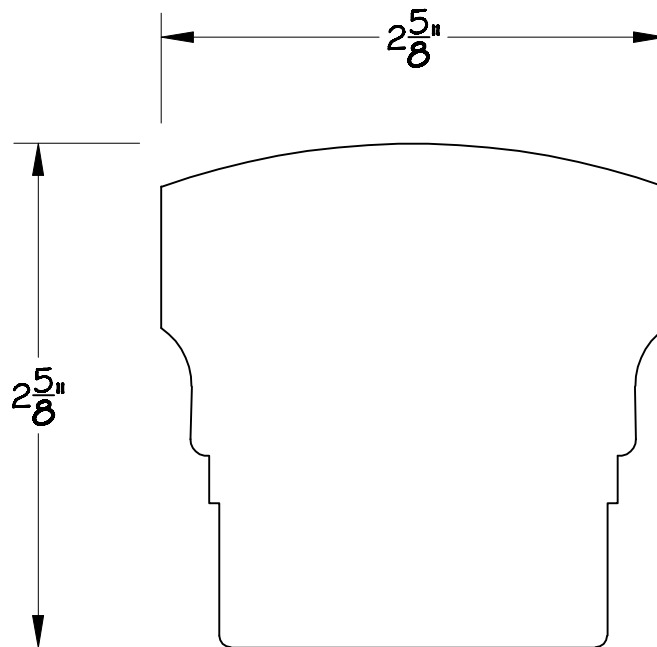
**Width: 2 5/8"**

**Width Adjustable: No**

24E Dorset Mill Road  
Exeter, R.I. 02822  
Phone: (401) 294-2235  
Fax: (401) 295-1086  
www.hdistair.com

**Notes:**

THIS HANDRAIL PROFILE DOES NOT MEET TYPE II REQUIREMENTS BUT IT MAY BE DETERMINED BY THE BUILDING INSPECTOR THAT IT PROVIDES EQUIVALENT GRASPABILITY . CODE REFERENCE R311.7.8.3 GRIP-SIZE, 2012 IRC.



**HD CT 25 RAIL PROFILE**

**FULL SCALE**



**Profile: HD CT 26 A**

**Height: 4 1/4"**

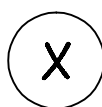
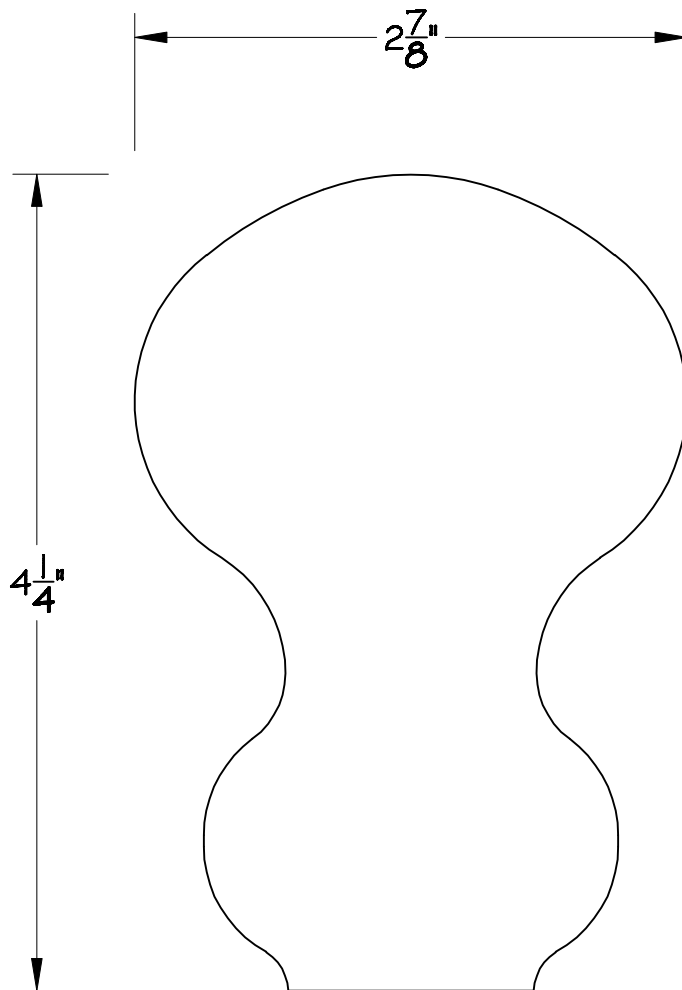
**Width: 2 7/8"**

**Width Adjustable: No**

24E Dorset Mill Road  
Exeter, R.I. 02822  
Phone: (401) 294-2235  
Fax: (401) 295-1086  
www.hdistair.com

**Notes:**

THIS HANDRAIL PROFILE DOES NOT MEET TYPE II REQUIREMENTS BUT IT MAY BE DETERMINED BY THE BUILDING INSPECTOR THAT IT PROVIDES EQUIVALENT GRASPABILITY . CODE REFERENCE R311.7.8.3 GRIP-SIZE, 2012 IRC.



**HD CT 26 A RAIL PROFILE**

**FULL SCALE**



**Profile: HD CT 26**

**Height: 4 1/4"**

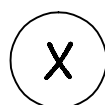
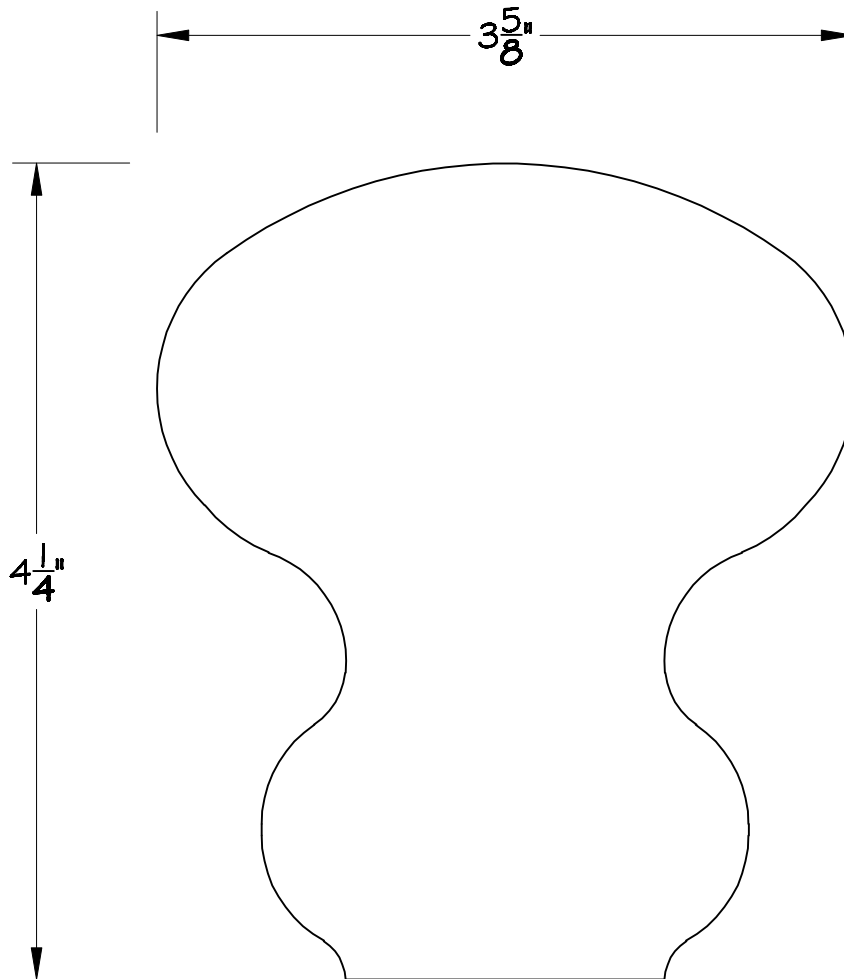
**Width: 3 5/8"**

**Width Adjustable: No**

24E Dorset Mill Road  
Exeter, R.I. 02822  
Phone: (401) 294-2235  
Fax: (401) 295-1086  
www.hdistair.com

**Notes:**

THIS HANDRAIL PROFILE DOES NOT MEET TYPE II REQUIREMENTS BUT IT MAY BE DETERMINED BY THE BUILDING INSPECTOR THAT IT PROVIDES EQUIVALENT GRASPABILITY . CODE REFERENCE R311.7.8.3 GRIP-SIZE, 2012 IRC.



**HD CT 26 RAIL PROFILE**

**FULL SCALE**



**Profile: HD CT 27**

**Height: 1 5/8"**

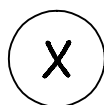
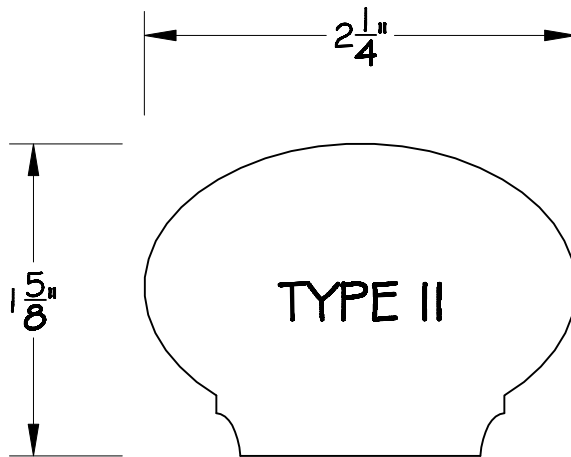
**Width: 2 1/4"**

**Width Adjustable: No**

24E Dorset Mill Road  
Exeter, R.I. 02822  
Phone: (401) 294-2235  
Fax: (401) 295-1086  
www.hdistair.com

**Notes:**

THIS HANDRAIL PROFILE MEETS TYPE II REQUIREMENTS. CODE REFERENCE R311.7.8.3 GRIP-SIZE, 2012 IRC.



**HD CT 27 RAIL PROFILE**

**FULL SCALE**



**Profile: HD CT 28**

**Height: 3 1/2"**

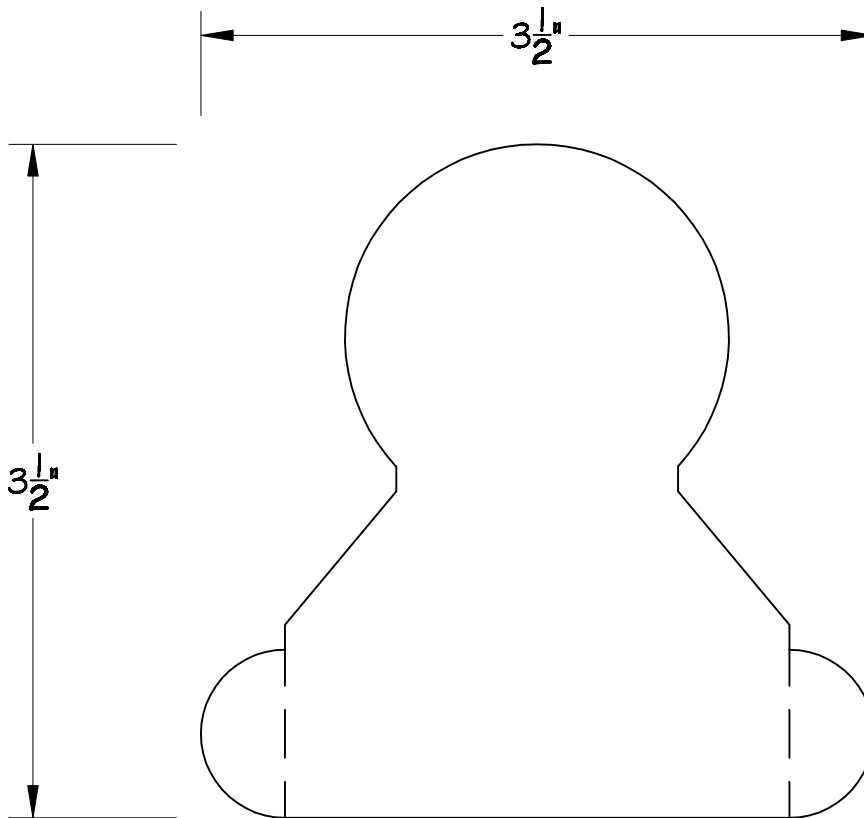
**Width: 3 1/2"**

**Width Adjustable: Yes with flat**

24E Dorset Mill Road  
Exeter, R.I. 02822  
Phone: (401) 294-2235  
Fax: (401) 295-1086  
www.hdistair.com

**Notes:**

THIS HANDRAIL PROFILE DOES NOT MEET TYPE II REQUIREMENTS BUT IT MAY BE DETERMINED BY THE BUILDING INSPECTOR THAT IT PROVIDES EQUIVALENT GRASPABILITY . CODE REFERENCE R311.7.8.3 GRIP-SIZE, 2012 IRC.



**X** HD CT 28 RAIL PROFILE  
FULL SCALE



**Profile: HD CT 29**

**Height:**  $2 \frac{13}{16}$ "

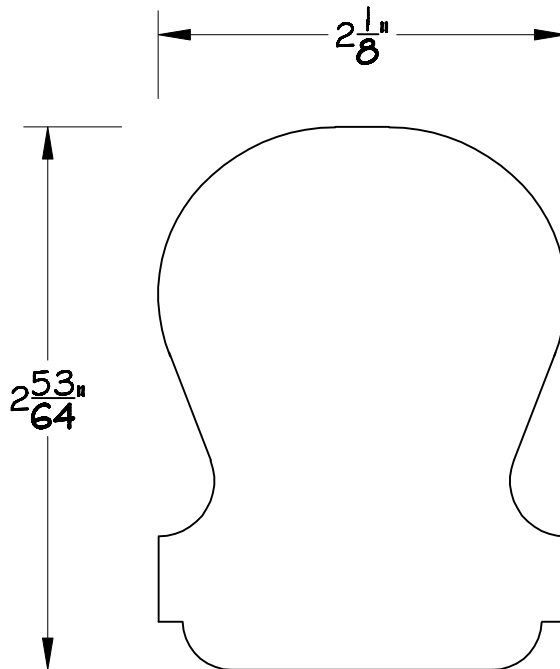
**Width:**  $2 \frac{1}{8}$ "

**Width Adjustable:** Yes

24E Dorset Mill Road  
Exeter, R.I. 02822  
Phone: (401) 294-2235  
Fax: (401) 295-1086  
www.hdistair.com

**Notes:**

THIS HANDRAIL PROFILE DOES NOT MEET TYPE II REQUIREMENTS BUT IT MAY BE DETERMINED BY THE BUILDING INSPECTOR THAT IT PROVIDES EQUIVALENT GRASPABILITY . CODE REFERENCE R311.7.8.3 GRIP-SIZE, 2012 IRC.



**X** HD CT 29 RAIL PROFILE  
FULL SCALE





## Profile: HD CT 30

Height: 1 1/4"

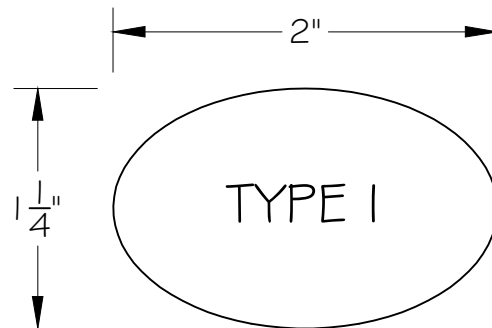
Width: 2"

Width Adjustable: No

24E Dorset Mill Road  
Exeter, R.I. 02822  
Phone: (401) 294-2235  
Fax: (401) 295-1086  
www.hdistair.com

### Notes:

THIS HANDRAIL PROFILE MEETS TYPE I REQUIREMENTS. CODE REFERENCE R311.7.8.3 GRIP-SIZE, 2012 IRC.



(X) HD CT 30 RAIL PROFILE  
FULL SCALE



**Profile: HD CT 31**

Height:  $2 \frac{11}{16}$ "

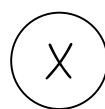
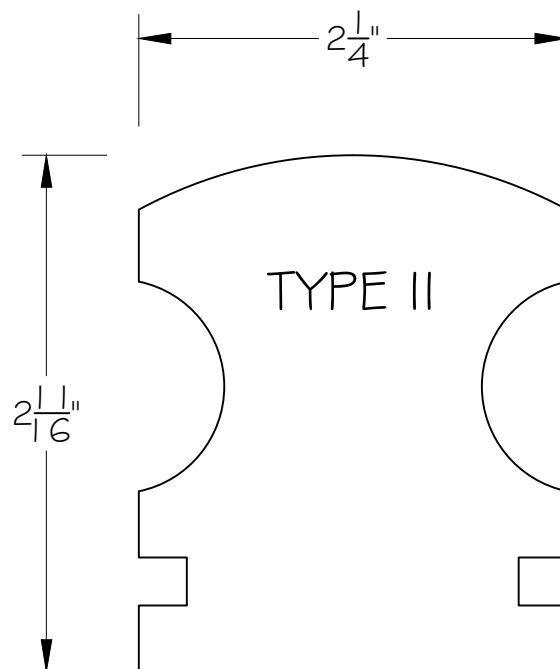
Width:  $2 \frac{1}{4}$ "

Width Adjustable: Yes

24E Dorset Mill Road  
Exeter, R.I. 02822  
Phone: (401) 294-2235  
Fax: (401) 295-1086  
www.hdistair.com

**Notes:**

THIS HANDRAIL PROFILE MEETS TYPE II REQUIREMENTS. CODE REFERENCE R311.7.8.3 GRIP-SIZE, 2012 IRC.



HD CT 31 RAIL PROFILE

FULL SCALE



**Profile: HD CT 32**

Height: 2 1/8"

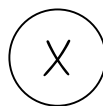
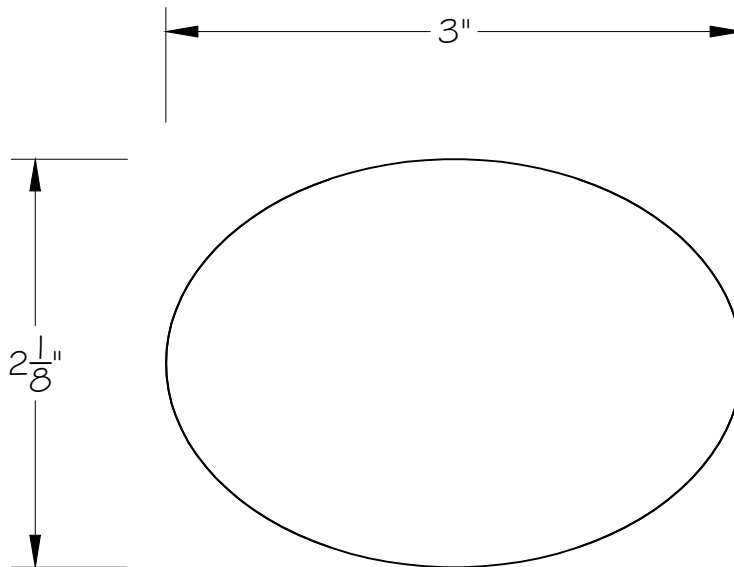
Width: 3"

Width Adjustable:

24E Dorset Mill Road  
Exeter, R.I. 02822  
Phone: (401) 294-2235  
Fax: (401) 295-1086  
www.hdistair.com

**Notes:**

THIS HANDRAIL PROFILE DOES NOT MEET TYPE II REQUIREMENTS BUT IT MAY BE DETERMINED BY THE BUILDING INSPECTOR THAT IT PROVIDES EQUIVALENT GRASPABILITY . CODE REFERENCE R311.7.8.3 GRIP-SIZE, 2012 IRC.



HD CT 32 RAIL PROFILE

FULL SCALE



**Profile: HD CT 33**

Height: 1-7/8"

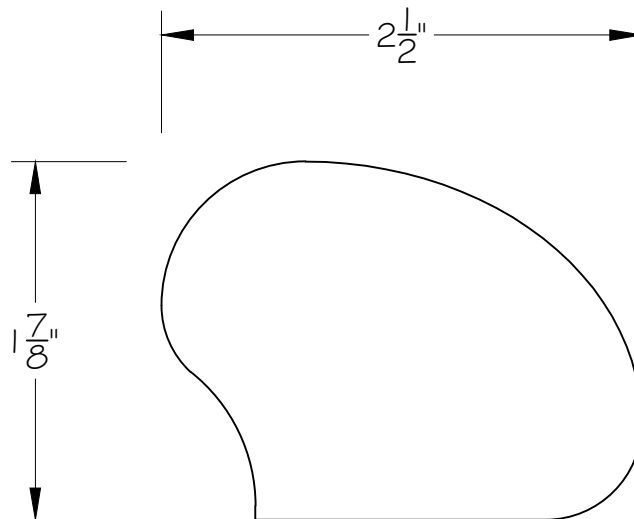
Width: 2-1/2"

Width Adjustable:

24E Dorset Mill Road  
Exeter, R.I. 02822  
Phone: (401) 294-2235  
Fax: (401) 295-1086  
www.hdistair.com

**Notes:**

THIS HANDRAIL PROFILE DOES NOT MEET TYPE II REQUIREMENTS BUT IT MAY BE DETERMINED BY THE BUILDING INSPECTOR THAT IT PROVIDES EQUIVALENT GRASPABILITY . CODE REFERENCE R311.7.8.3 GRIP-SIZE, 2012 IRC.



(X) HD CT 33 RAIL PROFILE  
FULL SCALE



**Profile: HD CT 34**

Height: 1 3/4"

Width: 2 3/16"

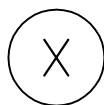
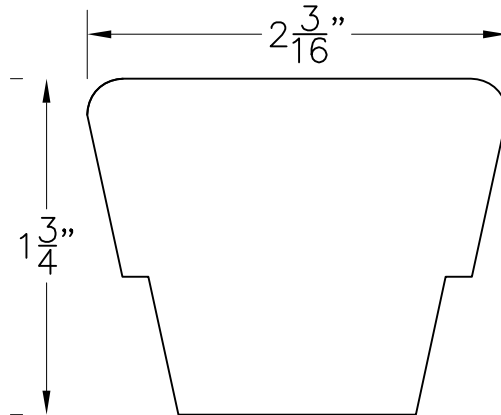
Width Adjustable:

24E Dorset Mill Road  
Exeter, R.I. 02822  
Phone: (401) 294-2235  
Fax: (401) 295-1086  
www.hdistair.com

**Notes:**

THIS HANDRAIL PROFILE DOES NOT MEET TYPE II REQUIREMENTS BUT IT MAY BE DETERMINED BY THE BUILDING INSPECTOR THAT IT PROVIDES EQUIVALENT GRASPABILITY . CODE REFERENCE R311.7.8.3 GRIP-SIZE, 2012 IRC.

**FULL RAIL SECTION**



HD CT 34 RAIL PROFILE

FULL SCALE



**Profile: HD CT 35**

Height:  $2 \frac{7}{16}$ "

Width:  $2 \frac{5}{16}$ "

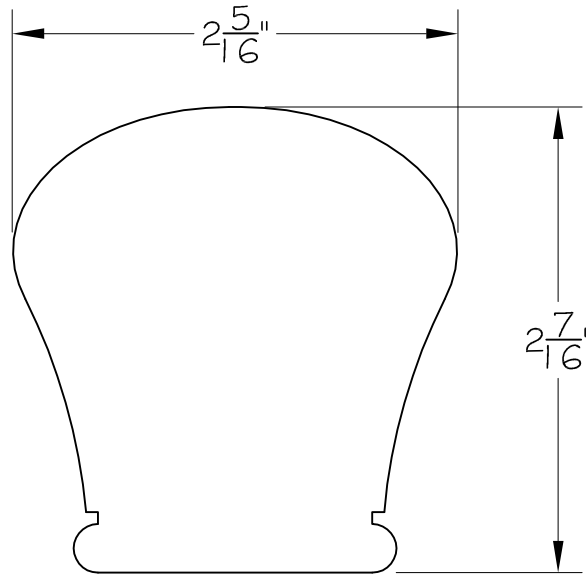
Width Adjustable: No

24E Dorset Mill Road  
Exeter, R.I. 02822  
Phone: (401) 294-2235  
Fax: (401) 295-1086  
www.hdistair.com

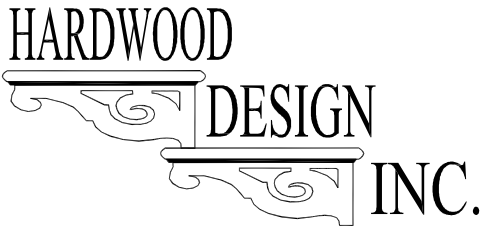
**Notes:**

THIS HANDRAIL PROFILE MEETS TYPE II REQUIREMENTS. CODE REFERENCE R311.7.8.3 GRIP-SIZE, 2012 IRC.

**FULL RAIL SECTION**



**X** HD CT 35 RAIL PROFILE  
FULL SCALE



**Profile: HD CT 36**

Height: 3 3/8"

Width: 3 3/8"

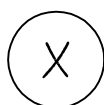
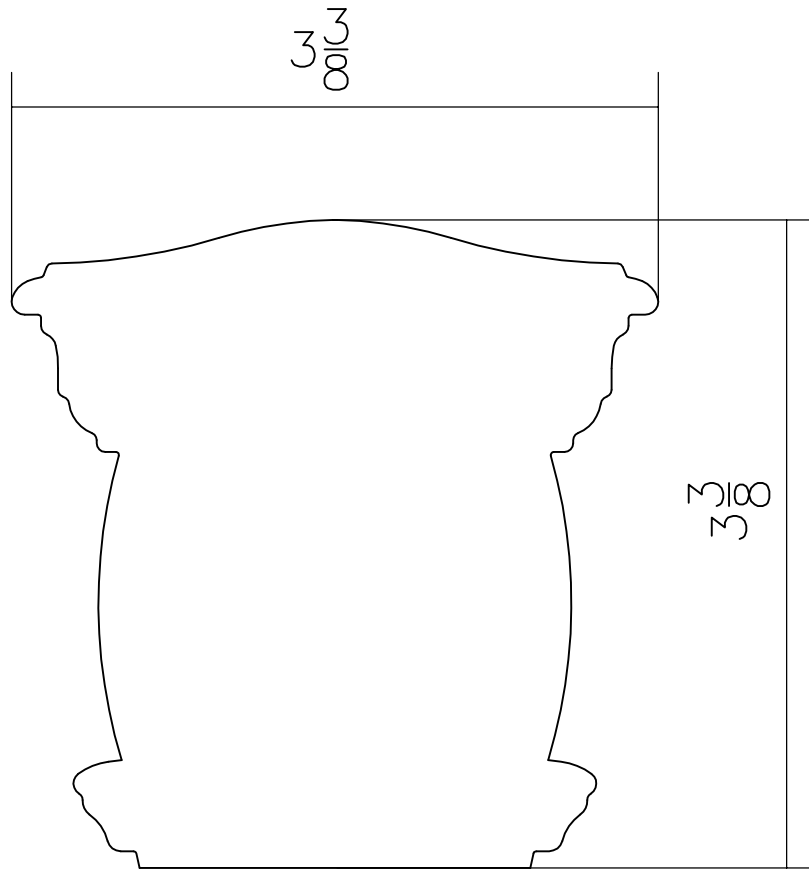
Width Adjustable:

24E Dorset Mill Road  
Exeter, R.I. 02822  
Phone: (401) 294-2235  
Fax: (401) 295-1086  
www.hdistair.com

**Notes:**

THIS HANDRAIL PROFILE DOES NOT MEET TYPE II REQUIREMENTS BUT IT MAY BE DETERMINED BY THE BUILDING INSPECTOR THAT IT PROVIDES EQUIVALENT GRASPABILITY . CODE REFERENCE R311.7.8.3 GRIP-SIZE, 2012 IRC.

**FULL RAIL SECTION**



**HD CT 36 RAIL PROFILE**

FULL SCALE



**Profile: HD CT 37**

Height: 1-3/8"

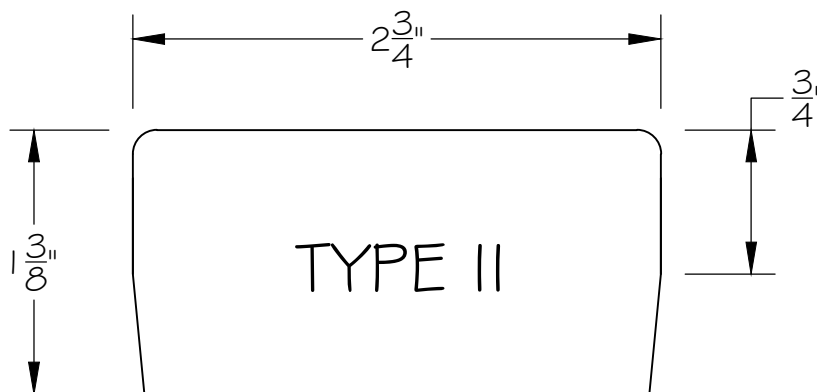
Width: 2-3/4"

Width Adjustable: Yes

24E Dorset Mill Road  
Exeter, R.I. 02822  
Phone: (401) 294-2235  
Fax: (401) 295-1086  
www.hdistair.com

**Notes:**

THIS HANDRAIL PROFILE MEETS TYPE II REQUIREMENTS AS LONG AS IT'S NO WIDER THAN 2-3/4". CODE REFERENCE R311.7.8.3 GRIP-SIZE, 2012 IRC.







**Profile: HD CT 38**

Height: 2-3/4"

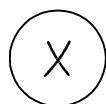
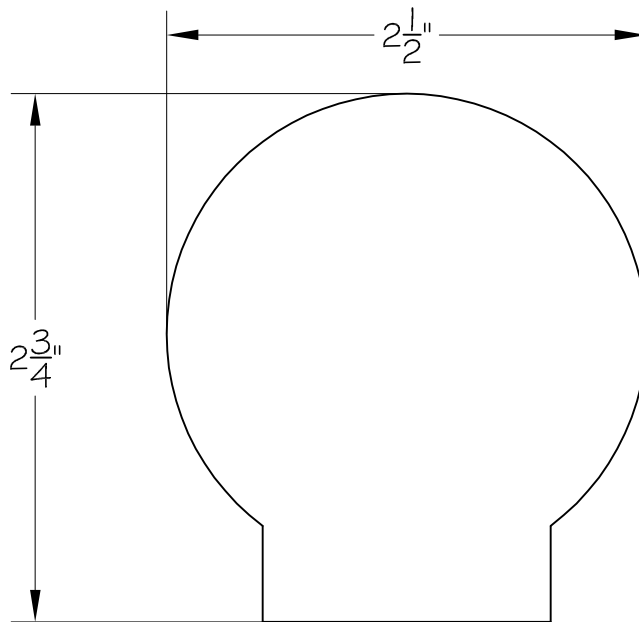
Width: 1-3/8"

Width Adjustable:

24E Dorset Mill Road  
Exeter, R.I. 02822  
Phone: (401) 294-2235  
Fax: (401) 295-1086  
www.hdistair.com

**Notes:**

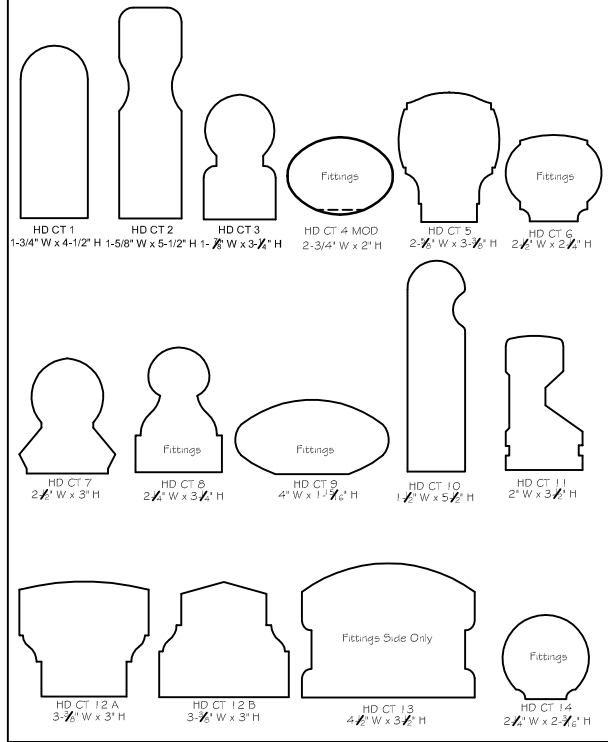
THIS HANDRAIL PROFILE DOES NOT MEET TYPE II REQUIREMENTS BUT IT MAY BE DETERMINED BY THE BUILDING INSPECTOR THAT IT PROVIDES EQUIVALENT GRASPABILITY . CODE REFERENCE R311.7.8.3 GRIP-SIZE, 2012 IRC.



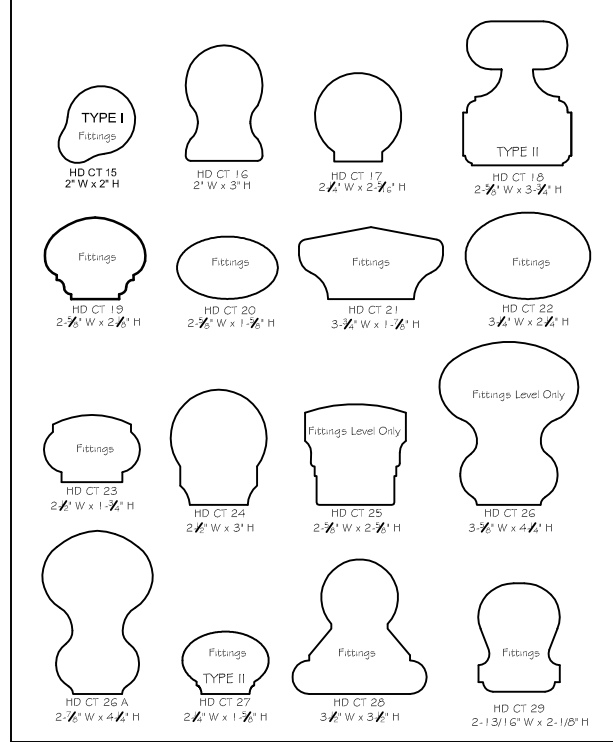
HD CT 38 RAIL PROFILE

FULL SCALE

HD CT Series - Contemporary Profiles



HD CT Series - Contemporary Profiles



HD CT Series - Contemporary Profiles

