



Profile: HD BL 1

Height: 2 3/4"

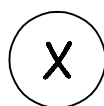
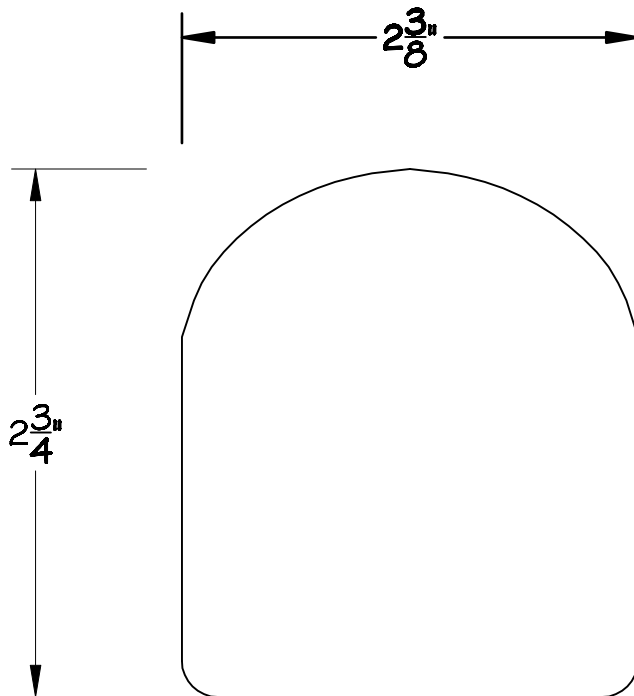
Width: 2 3/8"

Width Adjustable: YES

24E Dorset Mill Road
Exeter, R.I. 02822
Phone: (401) 294-2235
Fax: (401) 295-1086
www.hdistair.com

Notes:

THIS HANDRAIL PROFILE DOES NOT MEET TYPE II REQUIREMENTS BUT IT MAY BE DETERMINED BY THE BUILDING INSPECTOR THAT IT PROVIDES EQUIVALENT GRASPABILITY . CODE REFERENCE R311.7.8.3 GRIP-SIZE, 2012 IRC.



HD BL 1 RAIL PROFILE

FULL SCALE



Profile: HD BL 2

Height: 1 1/2"

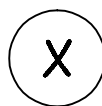
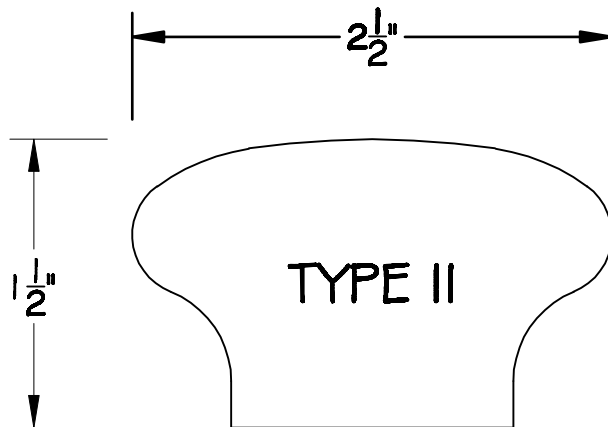
Width: 2 1/2"

Width Adjustable: YES

24E Dorset Mill Road
Exeter, R.I. 02822
Phone: (401) 294-2235
Fax: (401) 295-1086
www.hdistair.com

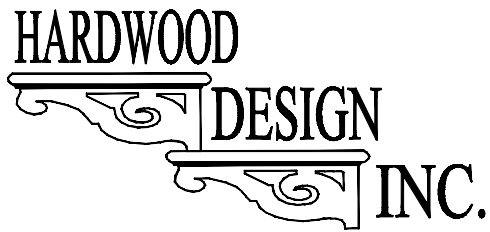
Notes:

THIS HANDRAIL PROFILE MEETS TYPE II
REQUIREMENTS. CODE REFERENCE
R311.7.8.3 GRIP-SIZE, 2012 IRC.



HD BL 2 RAIL PROFILE

FULL SCALE



Profile: HD BL 3

Height: 2 3/8"

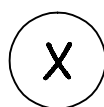
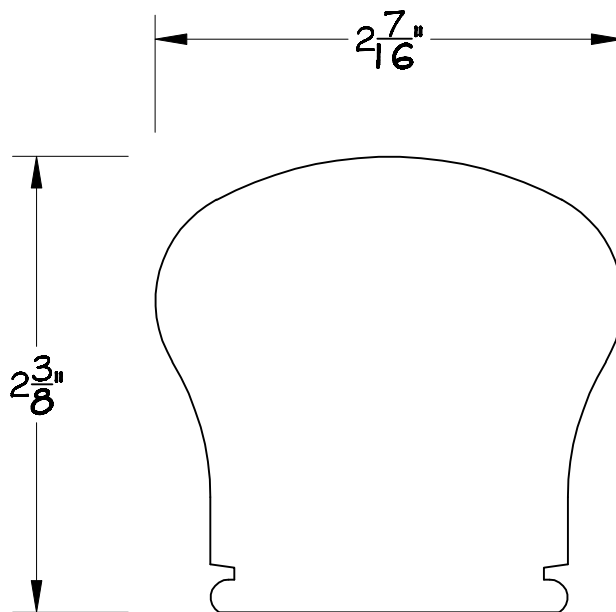
Width: 2 7/16"

Width Adjustable: NOT MUCH

24E Dorset Mill Road
Exeter, R.I. 02822
Phone: (401) 294-2235
Fax: (401) 295-1086
www.hdistair.com

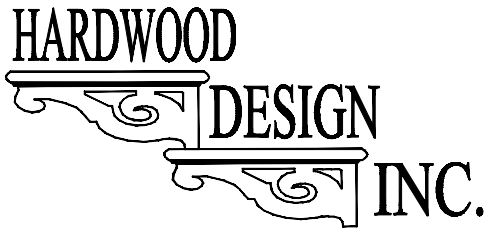
Notes:

THIS HANDRAIL PROFILE DOES NOT MEET TYPE II REQUIREMENTS BUT IT MAY BE DETERMINED BY THE BUILDING INSPECTOR THAT IT PROVIDES EQUIVALENT GRASPABILITY . CODE REFERENCE R311.7.8.3 GRIP-SIZE, 2012 IRC.



HD BL 3 RAIL PROFILE

FULL SCALE



Profile: HD BL 4

Height: 2 1/4"

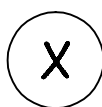
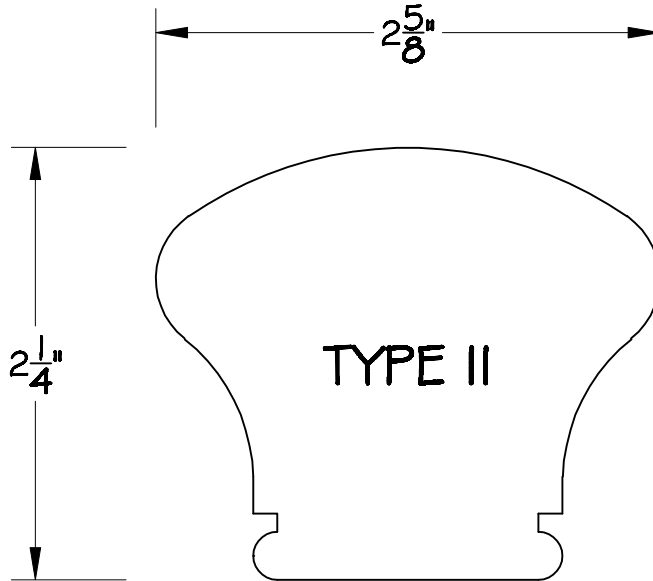
Width: 2 5/8"

Width Adjustable: +/- 1/8"

24E Dorset Mill Road
Exeter, R.I. 02822
Phone: (401) 294-2235
Fax: (401) 295-1086
www.hdistair.com

Notes:

THIS HANDRAIL PROFILE MEETS TYPE II
REQUIREMENTS. CODE REFERENCE
R311.7.8.3 GRIP-SIZE, 2012 IRC.



HD BL 4 RAIL PROFILE

FULL SCALE



Profile: HD BL 5

Height: 1 7/8"

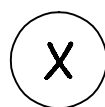
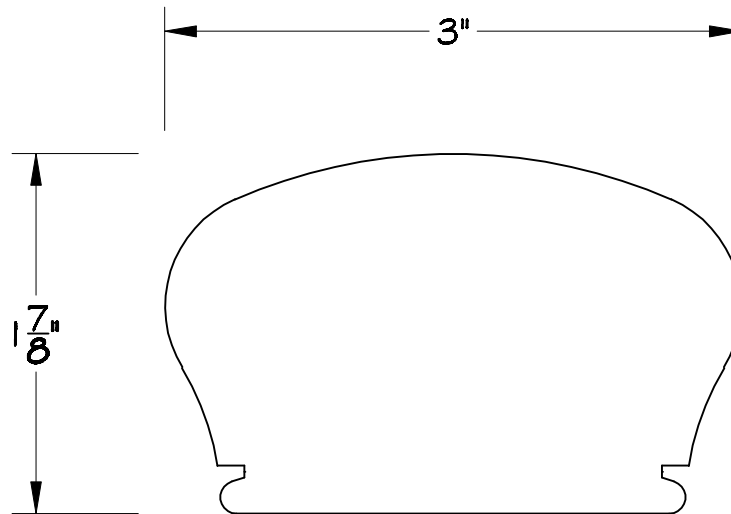
Width: 3"

Width Adjustable: YES

24E Dorset Mill Road
Exeter, R.I. 02822
Phone: (401) 294-2235
Fax: (401) 295-1086
www.hdistair.com

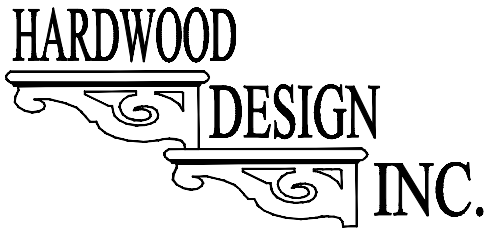
Notes:

THIS HANDRAIL PROFILE DOES NOT MEET TYPE II REQUIREMENTS BUT IT MAY BE DETERMINED BY THE BUILDING INSPECTOR THAT IT PROVIDES EQUIVALENT GRASPABILITY . CODE REFERENCE R311.7.8.3 GRIP-SIZE, 2012 IRC.



HD BL 5 RAIL PROFILE

FULL SCALE



Profile: HD BL 6

Height: 1 3/4"

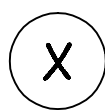
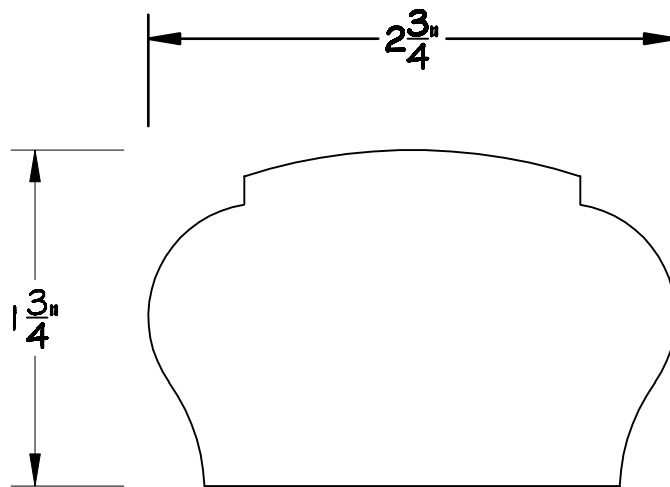
Width: 2 3/4"

Width Adjustable: YES

24E Dorset Mill Road
Exeter, R.I. 02822
Phone: (401) 294-2235
Fax: (401) 295-1086
www.hdistair.com

Notes:

THIS HANDRAIL PROFILE DOES NOT MEET TYPE II REQUIREMENTS BUT IT MAY BE DETERMINED BY THE BUILDING INSPECTOR THAT IT PROVIDES EQUIVALENT GRASPABILITY . CODE REFERENCE R311.7.8.3 GRIP-SIZE, 2012 IRC.



HD BL 6 RAIL PROFILE

FULL SCALE



Profile: HD BL 7

Height: 2 1/8"

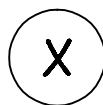
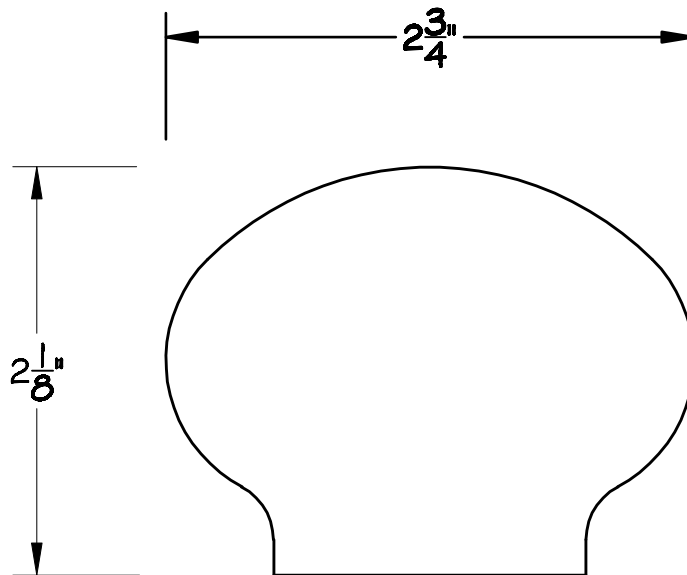
Width: 2 3/4"

Width Adjustable: YES

24E Dorset Mill Road
Exeter, R.I. 02822
Phone: (401) 294-2235
Fax: (401) 295-1086
www.hdistair.com

Notes:

THIS HANDRAIL PROFILE DOES NOT MEET TYPE II REQUIREMENTS BUT IT MAY BE DETERMINED BY THE BUILDING INSPECTOR THAT IT PROVIDES EQUIVALENT GRASPABILITY . CODE REFERENCE R311.7.8.3 GRIP-SIZE, 2012 IRC.



HD BL 7 RAIL PROFILE

FULL SCALE



Profile: HD BL 8

Height: 2 1/8"

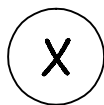
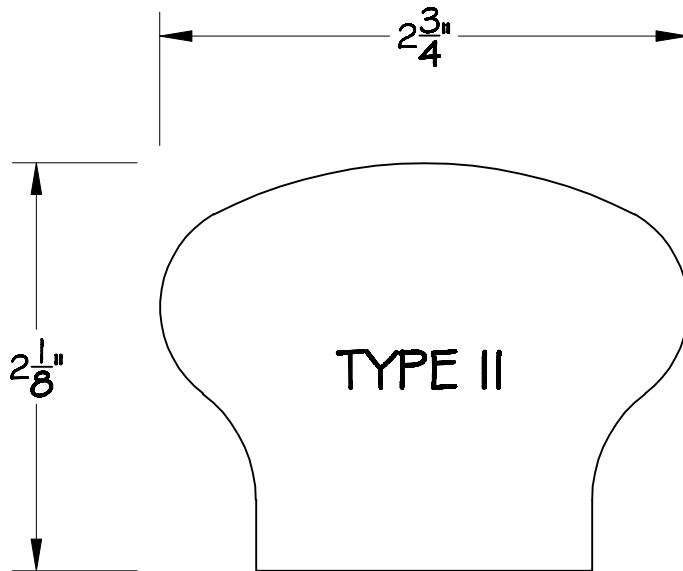
Width: 2 3/4"

Width Adjustable: +/- 1/4"

24E Dorset Mill Road
Exeter, R.I. 02822
Phone: (401) 294-2235
Fax: (401) 295-1086
www.hdistair.com

Notes:

THIS HANDRAIL PROFILE MEETS TYPE II
REQUIREMENTS. CODE REFERENCE
R311.7.8.3 GRIP-SIZE, 2012 IRC.



HD BL 8 RAIL PROFILE

FULL SCALE



Profile: HD BL 9

Height: 2"

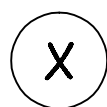
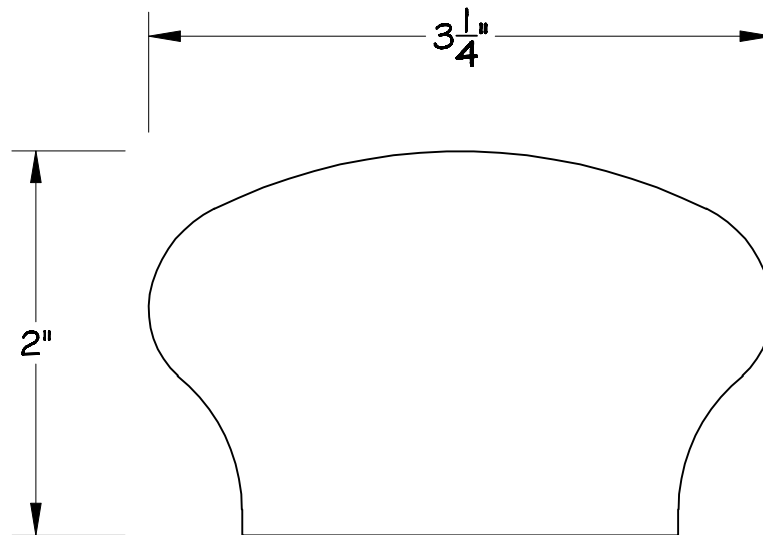
Width: 3 1/4"

Width Adjustable: +/- 1/4"

24E Dorset Mill Road
Exeter, R.I. 02822
Phone: (401) 294-2235
Fax: (401) 295-1086
www.hdistair.com

Notes:

THIS HANDRAIL PROFILE DOES NOT MEET TYPE II REQUIREMENTS BUT IT MAY BE DETERMINED BY THE BUILDING INSPECTOR THAT IT PROVIDES EQUIVALENT GRASPABILITY . CODE REFERENCE R311.7.8.3 GRIP-SIZE, 2012 IRC.



HD BL 9 RAIL PROFILE

FULL SCALE



Profile: HD BL 10

Height: 2 1/8"

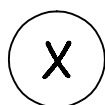
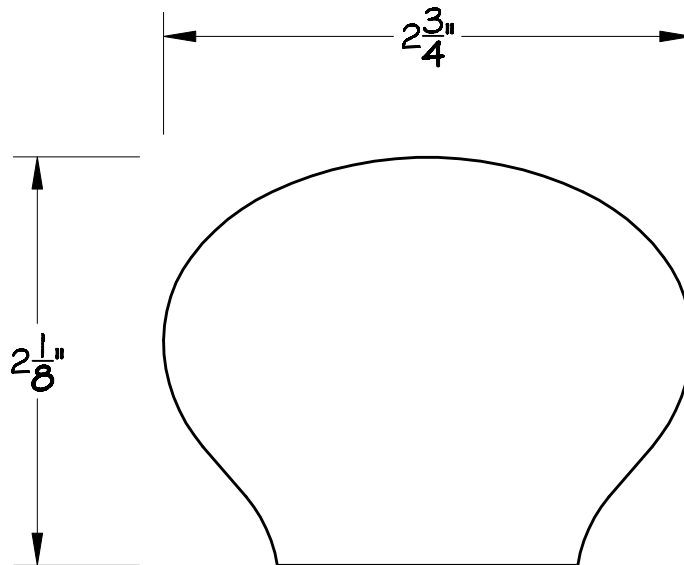
Width: 2 3/4"

Width Adjustable: +/- 1/4"

24E Dorset Mill Road
Exeter, R.I. 02822
Phone: (401) 294-2235
Fax: (401) 295-1086
www.hdistair.com

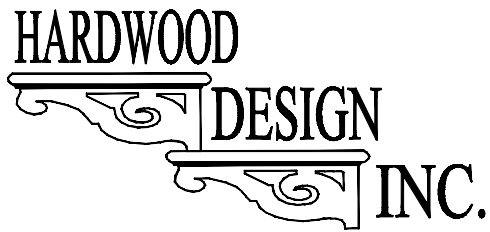
Notes:

THIS HANDRAIL PROFILE DOES NOT MEET TYPE II REQUIREMENTS BUT IT MAY BE DETERMINED BY THE BUILDING INSPECTOR THAT IT PROVIDES EQUIVALENT GRASPABILITY . CODE REFERENCE R311.7.8.3 GRIP-SIZE, 2012 IRC.



HD BL 10 RAIL PROFILE

FULL SCALE



24E Dorset Mill Road
Exeter, R.I. 02822
Phone: (401) 294-2235
Fax: (401) 295-1086
www.hdistair.com

Profile: HD BL 11

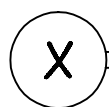
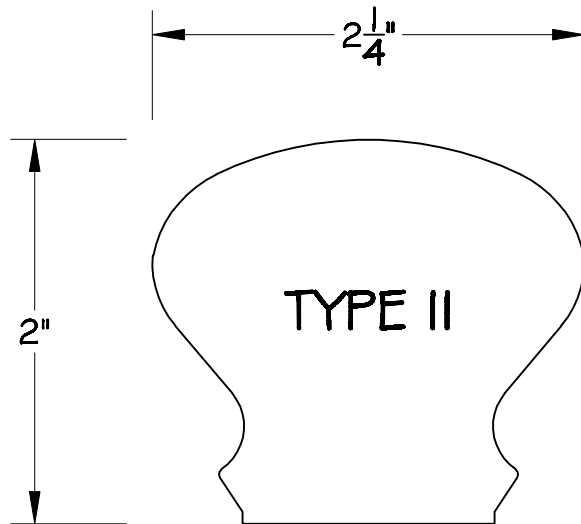
Height: 2"

Width: 2 1/4"

Width Adjustable: +/- 1/4"

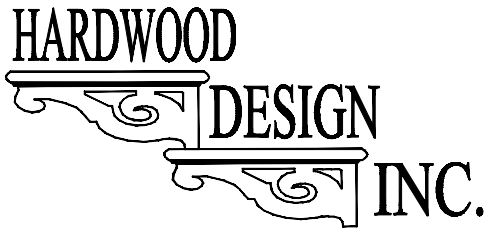
Notes:

THIS HANDRAIL PROFILE MEETS TYPE II
REQUIREMENTS. CODE REFERENCE
R311.7.8.3 GRIP-SIZE, 2012 IRC.



HD BL 11 RAIL PROFILE

FULL SCALE



Profile: HD BL 12

Height: 1 13/16"

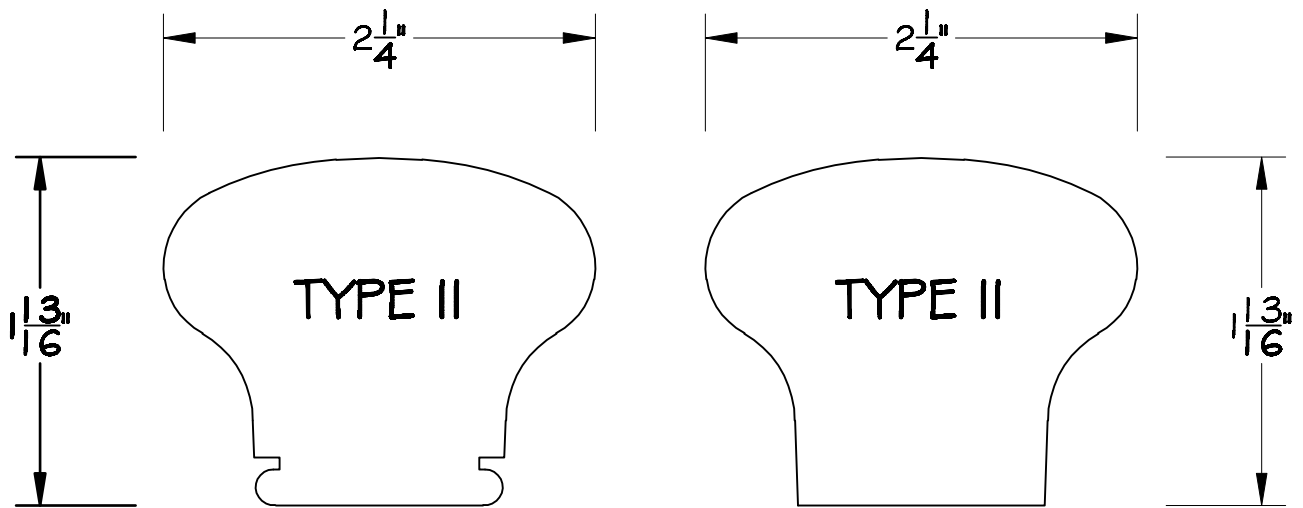
Width: 2 1/4"

Width Adjustable:

24E Dorset Mill Road
Exeter, R.I. 02822
Phone: (401) 294-2235
Fax: (401) 295-1086
www.hdistair.com

Notes:

THIS HANDRAIL PROFILE MEETS TYPE II REQUIREMENTS. CODE REFERENCE R311.7.8.3 GRIP-SIZE, 2012 IRC.



X HD BL 12 RAIL PROFILE
FULL SCALE



Profile: HD BL 13

Height: 2 9/32"

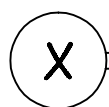
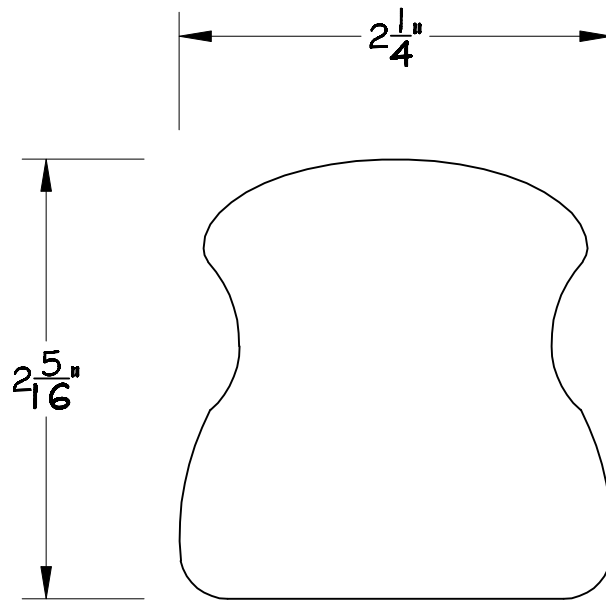
Width: 2 1/4"

Width Adjustable:

24E Dorset Mill Road
Exeter, R.I. 02822
Phone: (401) 294-2235
Fax: (401) 295-1086
www.hdistair.com

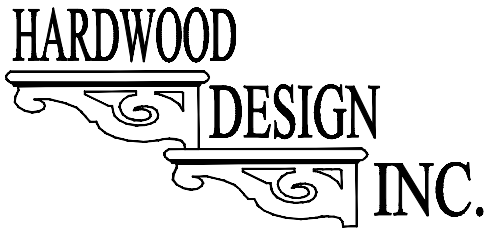
Notes:

THIS HANDRAIL PROFILE DOES NOT MEET TYPE II REQUIREMENTS BUT IT MAY BE DETERMINED BY THE BUILDING INSPECTOR THAT IT PROVIDES EQUIVALENT GRASPABILITY . CODE REFERENCE R311.7.8.3 GRIP-SIZE, 2012 IRC.



HD BL 13 RAIL PROFILE

FULL SCALE



Profile: HD BL 14

Height: 2 1/4"

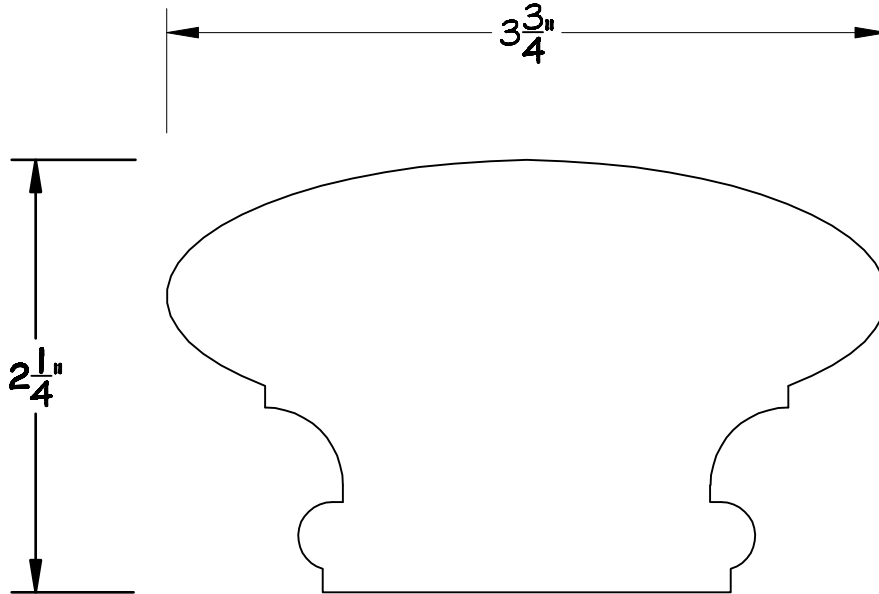
Width: 3 3/4"

Width Adjustable: NO

24E Dorset Mill Road
Exeter, R.I. 02822
Phone: (401) 294-2235
Fax: (401) 295-1086
www.hdistair.com

Notes:

THIS HANDRAIL PROFILE DOES NOT MEET TYPE II REQUIREMENTS BUT IT MAY BE DETERMINED BY THE BUILDING INSPECTOR THAT IT PROVIDES EQUIVALENT GRASPABILITY . CODE REFERENCE R311.7.8.3 GRIP-SIZE, 2012 IRC.



X HD BL 14 RAIL PROFILE
FULL SCALE



Profile: HD BL 15

Height: 1 1/2"

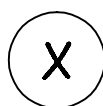
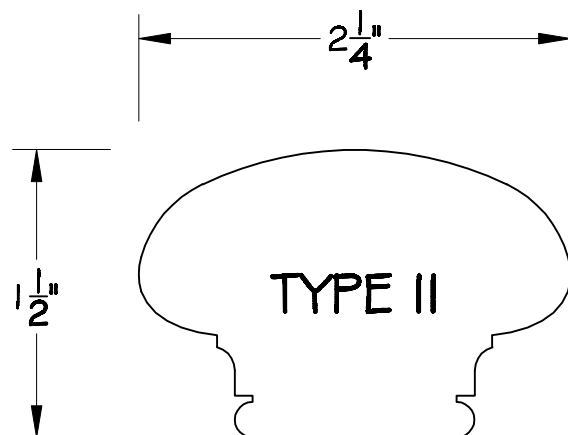
Width: 2 1/4"

Width Adjustable: NO

24E Dorset Mill Road
Exeter, R.I. 02822
Phone: (401) 294-2235
Fax: (401) 295-1086
www.hdistair.com

Notes:

THIS HANDRAIL PROFILE MEETS TYPE II
REQUIREMENTS. CODE REFERENCE
R311.7.8.3 GRIP-SIZE, 2012 IRC.



HD BL 15 RAIL PROFILE

FULL SCALE



Profile: HD BL 16

Height: 1 11/16"

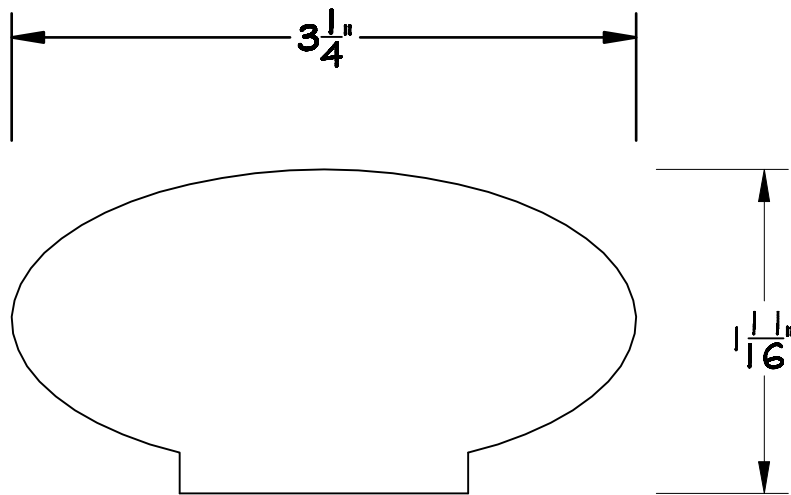
Width: 3 1/4"

Width Adjustable: NO

24E Dorset Mill Road
Exeter, R.I. 02822
Phone: (401) 294-2235
Fax: (401) 295-1086
www.hdistair.com

Notes:

THIS HANDRAIL PROFILE DOES NOT MEET TYPE II REQUIREMENTS BUT IT MAY BE DETERMINED BY THE BUILDING INSPECTOR THAT IT PROVIDES EQUIVALENT GRASPABILITY . CODE REFERENCE R311.7.8.3 GRIP-SIZE, 2012 IRC.



(X) HD BL 16 RAIL PROFILE
FULL SCALE



Profile: HD BL 17

Height: 2 1/16"

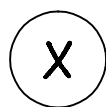
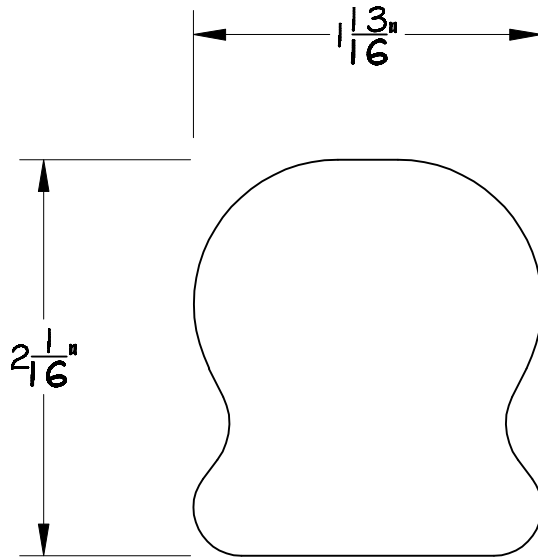
Width: 1 13/16"

Width Adjustable: YES

24E Dorset Mill Road
Exeter, R.I. 02822
Phone: (401) 294-2235
Fax: (401) 295-1086
www.hdistair.com

Notes:

THIS HANDRAIL PROFILE DOES NOT MEET TYPE II REQUIREMENTS BUT IT MAY BE DETERMINED BY THE BUILDING INSPECTOR THAT IT PROVIDES EQUIVALENT GRASPABILITY . CODE REFERENCE R311.7.8.3 GRIP-SIZE, 2012 IRC.



HD BL 17 RAIL PROFILE

FULL SCALE



Profile: HD BL 18

Height: 1 3/4"

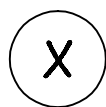
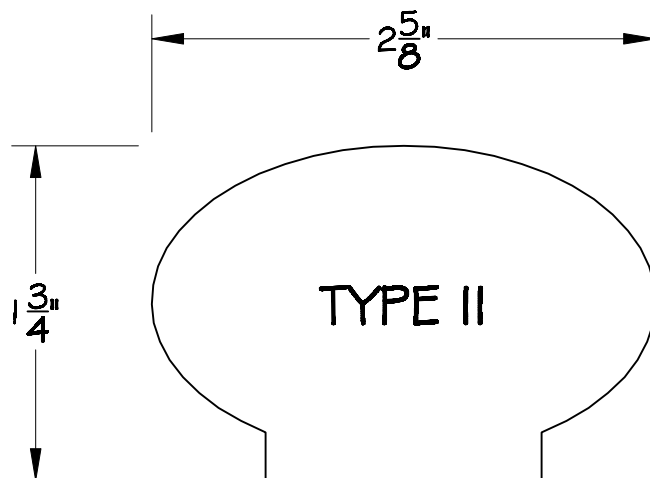
Width: 2 5/8"

Width Adjustable: NO

24E Dorset Mill Road
Exeter, R.I. 02822
Phone: (401) 294-2235
Fax: (401) 295-1086
www.hdistair.com

Notes:

THIS HANDRAIL PROFILE MEETS TYPE II
REQUIREMENTS. CODE REFERENCE
R311.7.8.3 GRIP-SIZE, 2012 IRC.



HD BL 18 RAIL PROFILE

FULL SCALE



Profile: HD BL 19

Height: 3"

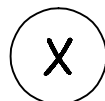
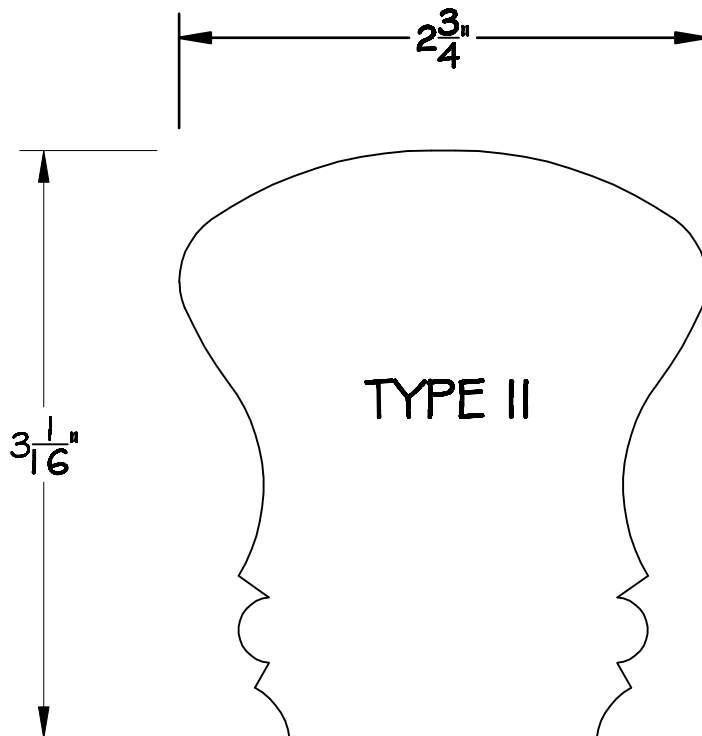
Width: 2 3/4"

Width Adjustable: YES

24E Dorset Mill Road
Exeter, R.I. 02822
Phone: (401) 294-2235
Fax: (401) 295-1086
www.hdistair.com

Notes:

THIS HANDRAIL PROFILE MEETS TYPE II
REQUIREMENTS. CODE REFERENCE
R311.7.8.3 GRIP-SIZE, 2012 IRC.



HD BL 19 RAIL PROFILE

FULL SCALE



Profile: HD BL 20

Height: 2 1/2"

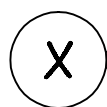
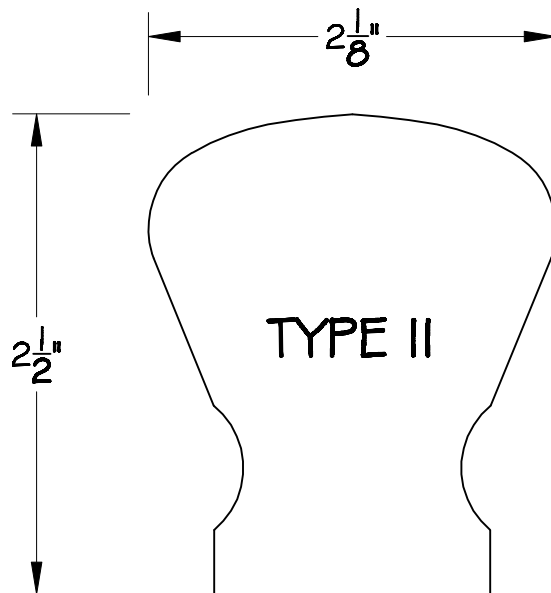
Width: 2 1/8"

Width Adjustable: YES

24E Dorset Mill Road
Exeter, R.I. 02822
Phone: (401) 294-2235
Fax: (401) 295-1086
www.hdistair.com

Notes:

THIS HANDRAIL PROFILE MEETS TYPE II
REQUIREMENTS. CODE REFERENCE
R311.7.8.3 GRIP-SIZE, 2012 IRC.



HD BL 20 RAIL PROFILE

FULL SCALE



Profile: HD BL 21

Height: 2 1/4"

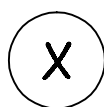
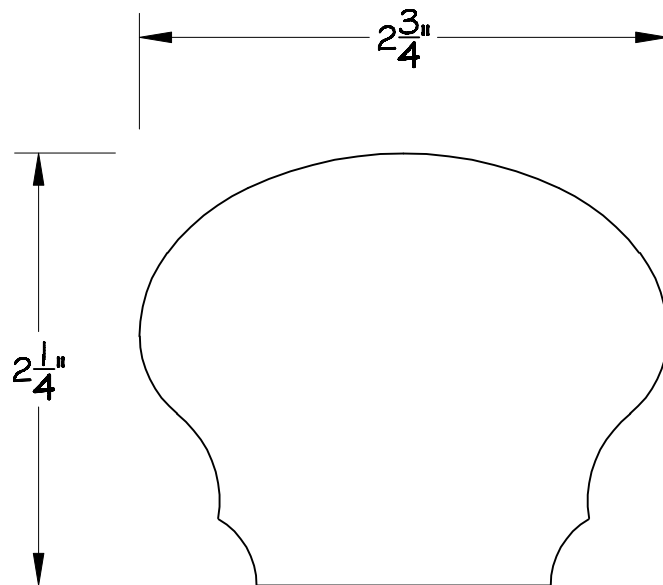
Width: 2 3/4"

Width Adjustable: NO

24E Dorset Mill Road
Exeter, R.I. 02822
Phone: (401) 294-2235
Fax: (401) 295-1086
www.hdistair.com

Notes:

THIS HANDRAIL PROFILE DOES NOT MEET TYPE II REQUIREMENTS BUT IT MAY BE DETERMINED BY THE BUILDING INSPECTOR THAT IT PROVIDES EQUIVALENT GRASPABILITY . CODE REFERENCE R311.7.8.3 GRIP-SIZE, 2012 IRC.



HD BL 21 RAIL PROFILE

FULL SCALE



Profile: HD BL 22

Height: 2 3/8"

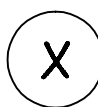
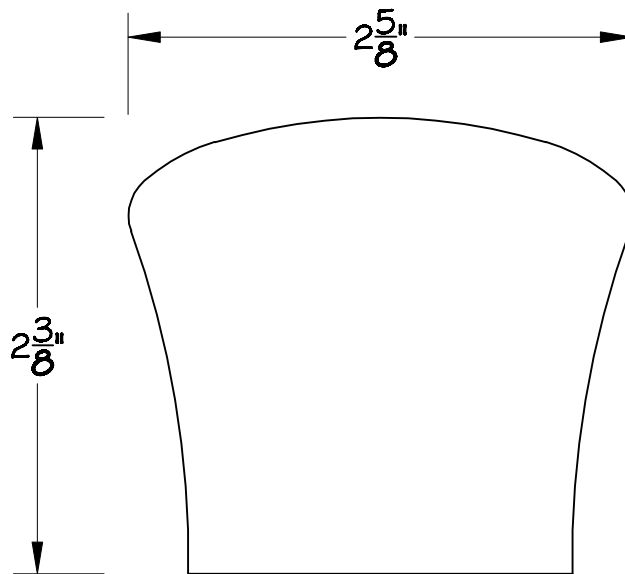
Width: 2 5/8"

Width Adjustable: NO

24E Dorset Mill Road
Exeter, R.I. 02822
Phone: (401) 294-2235
Fax: (401) 295-1086
www.hdistair.com

Notes:

THIS HANDRAIL PROFILE DOES NOT MEET TYPE II REQUIREMENTS BUT IT MAY BE DETERMINED BY THE BUILDING INSPECTOR THAT IT PROVIDES EQUIVALENT GRASPABILITY . CODE REFERENCE R311.7.8.3 GRIP-SIZE, 2012 IRC.



HD BL 22 RAIL PROFILE

FULL SCALE



Profile: HD BL 23

Height: 2 1/4"

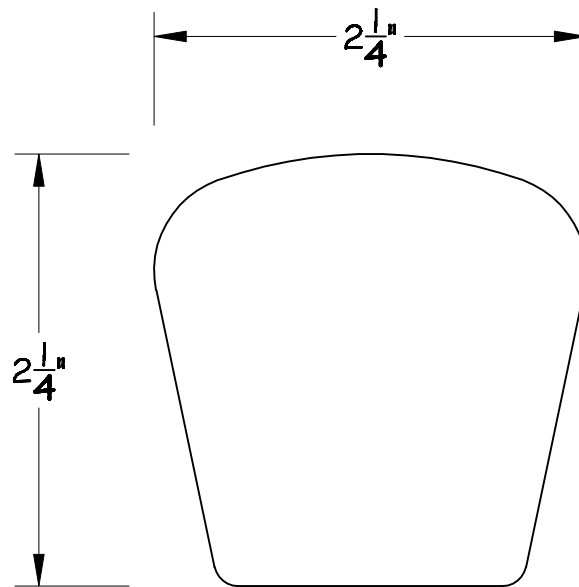
Width: 2 1/4"

Width Adjustable: WITH FLAT

24E Dorset Mill Road
Exeter, R.I. 02822
Phone: (401) 294-2235
Fax: (401) 295-1086
www.hdistair.com

Notes:

THIS HANDRAIL PROFILE DOES NOT MEET TYPE II REQUIREMENTS BUT IT MAY BE DETERMINED BY THE BUILDING INSPECTOR THAT IT PROVIDES EQUIVALENT GRASPABILITY . CODE REFERENCE R311.7.8.3 GRIP-SIZE, 2012 IRC.



X HD BL 23 RAIL PROFILE
FULL SCALE



Profile: HD BL 24

Height: 2 3/8"

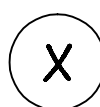
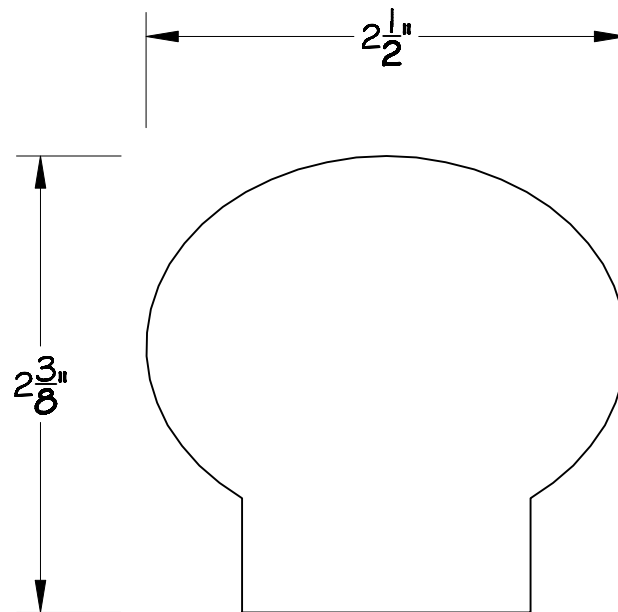
Width: 2 1/2"

Width Adjustable:

24E Dorset Mill Road
Exeter, R.I. 02822
Phone: (401) 294-2235
Fax: (401) 295-1086
www.hdistair.com

Notes:

THIS HANDRAIL PROFILE DOES NOT MEET TYPE II REQUIREMENTS BUT IT MAY BE DETERMINED BY THE BUILDING INSPECTOR THAT IT PROVIDES EQUIVALENT GRASPABILITY . CODE REFERENCE R311.7.8.3 GRIP-SIZE, 2012 IRC.



HD BL 24 RAIL PROFILE

FULL SCALE



Profile: HD BL 25

Height: 2 1/4"

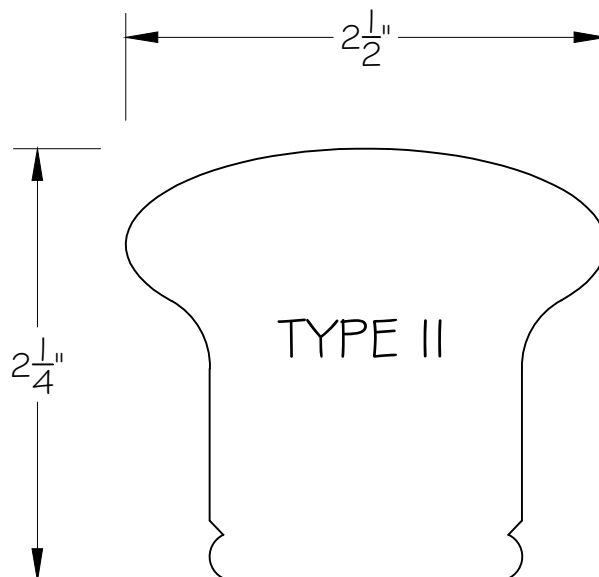
Width: 2 1/2"

Width Adjustable: NO

24E Dorset Mill Road
Exeter, R.I. 02822
Phone: (401) 294-2235
Fax: (401) 295-1086
www.hdistair.com

Notes:

THIS HANDRAIL PROFILE MEETS TYPE II REQUIREMENTS. CODE REFERENCE R311.7.8.3 GRIP-SIZE, 2012 IRC.



(X) HD BL 25 RAIL PROFILE
FULL SCALE



Profile: HD BL 26

Height: 1 11/16"

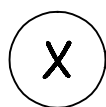
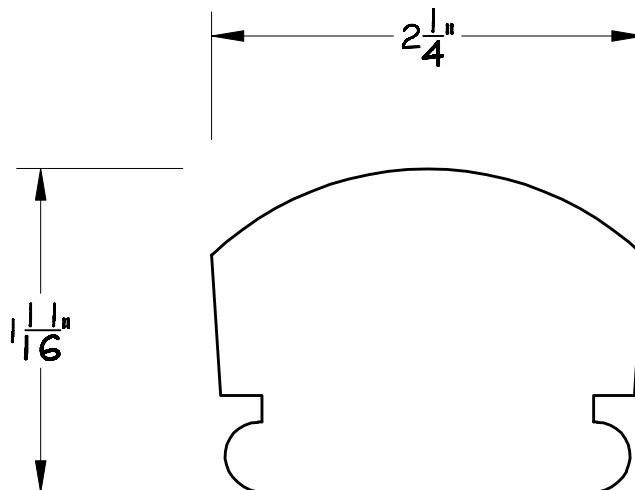
Width: 2 1/4"

Width Adjustable: Yes

24E Dorset Mill Road
Exeter, R.I. 02822
Phone: (401) 294-2235
Fax: (401) 295-1086
www.hdistair.com

Notes:

THIS HANDRAIL PROFILE DOES NOT MEET TYPE II REQUIREMENTS BUT IT MAY BE DETERMINED BY THE BUILDING INSPECTOR THAT IT PROVIDES EQUIVALENT GRASPABILITY . CODE REFERENCE R311.7.8.3 GRIP-SIZE, 2012 IRC.



HD BL 26 RAIL PROFILE

FULL SCALE



Profile: HD BL 27

Height: 2 9/16"

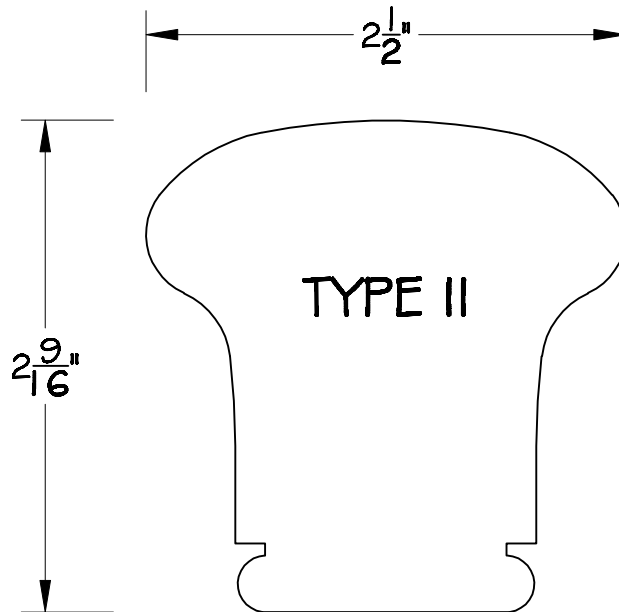
Width: 2 1/2"

Width Adjustable: Yes

24E Dorset Mill Road
Exeter, R.I. 02822
Phone: (401) 294-2235
Fax: (401) 295-1086
www.hdistair.com

Notes:

THIS HANDRAIL PROFILE MEETS TYPE II
REQUIREMENTS. CODE REFERENCE
R311.7.8.3 GRIP-SIZE, 2012 IRC.



X HD BL 27 RAIL PROFILE
FULL SCALE



Profile: HD BL 28

Height: 2 7/16"

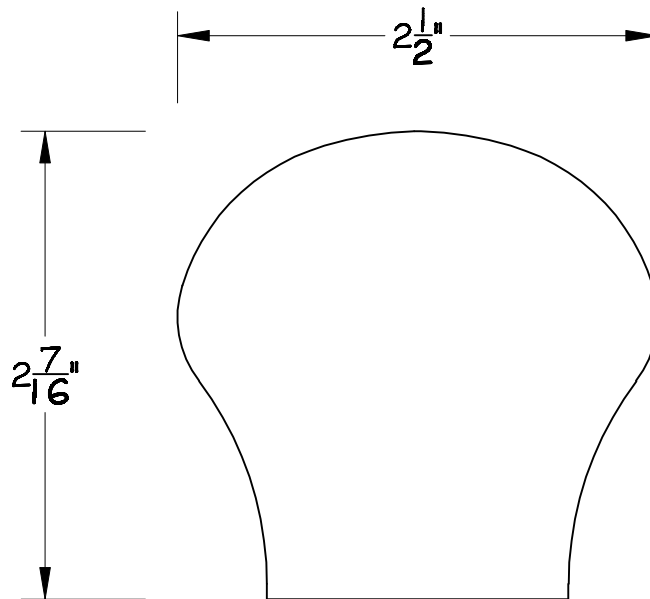
Width: 2 1/2"

Width Adjustable: NO

24E Dorset Mill Road
Exeter, R.I. 02822
Phone: (401) 294-2235
Fax: (401) 295-1086
www.hdistair.com

Notes:

THIS HANDRAIL PROFILE DOES NOT MEET TYPE II REQUIREMENTS BUT IT MAY BE DETERMINED BY THE BUILDING INSPECTOR THAT IT PROVIDES EQUIVALENT GRASPABILITY . CODE REFERENCE R311.7.8.3 GRIP-SIZE, 2012 IRC.



X HD BL 28 RAIL PROFILE
FULL SCALE



Profile: HD BL 29

Height: 2 37/64"

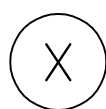
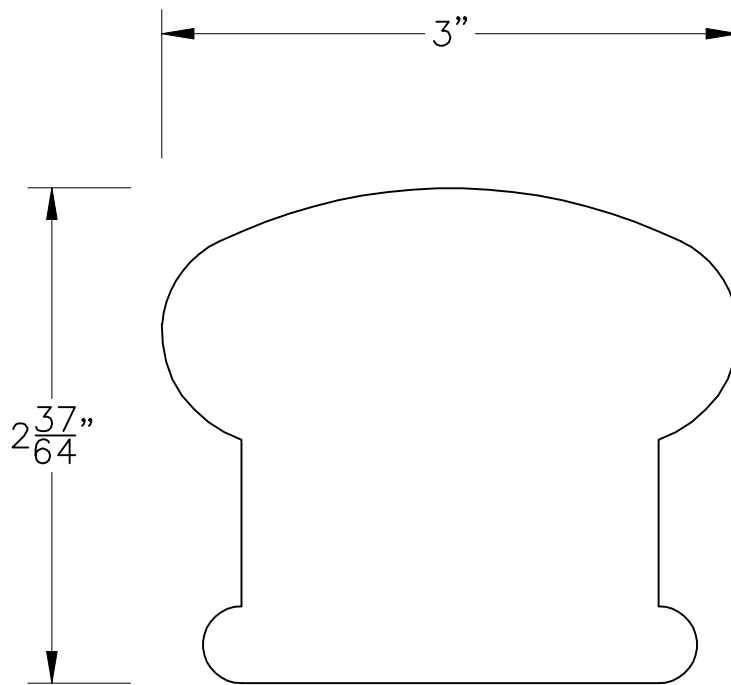
Width: 3"

Width Adjustable: YES

24E Dorset Mill Road
Exeter, R.I. 02822
Phone: (401) 294-2235
Fax: (401) 295-1086
www.hdistair.com

Notes:

THIS HANDRAIL PROFILE DOES NOT MEET TYPE II REQUIREMENTS BUT IT MAY BE DETERMINED BY THE BUILDING INSPECTOR THAT IT PROVIDES EQUIVALENT GRASPABILITY . CODE REFERENCE R311.7.8.3 GRIP-SIZE, 2012 IRC.



HD BL 29 RAIL PROFILE

FULL SCALE



Profile: HD BL 30

Height: 2 1/8"

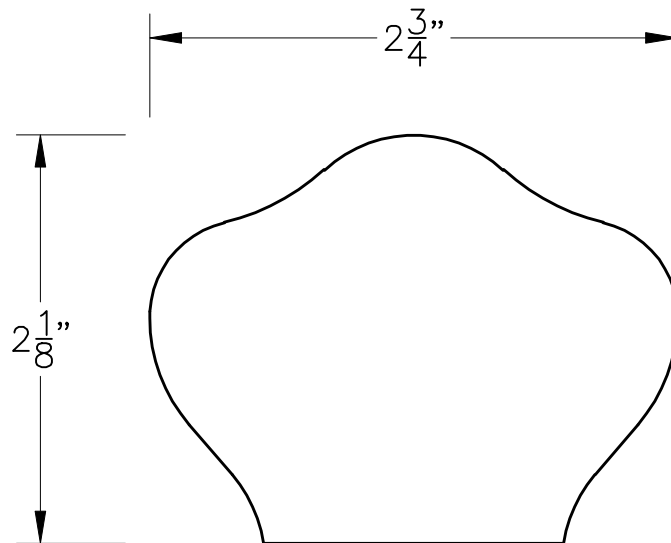
Width: 2 3/4"

Width Adjustable: YES

24E Dorset Mill Road
Exeter, R.I. 02822
Phone: (401) 294-2235
Fax: (401) 295-1086
www.hdistair.com

Notes:

THIS HANDRAIL PROFILE DOES NOT MEET TYPE II REQUIREMENTS BUT IT MAY BE DETERMINED BY THE BUILDING INSPECTOR THAT IT PROVIDES EQUIVALENT GRASPABILITY . CODE REFERENCE R311.7.8.3 GRIP-SIZE, 2012 IRC.



(X) HD BL 30 RAIL PROFILE
FULL SCALE



Profile: HD BL 31

Height: 2 11/16"

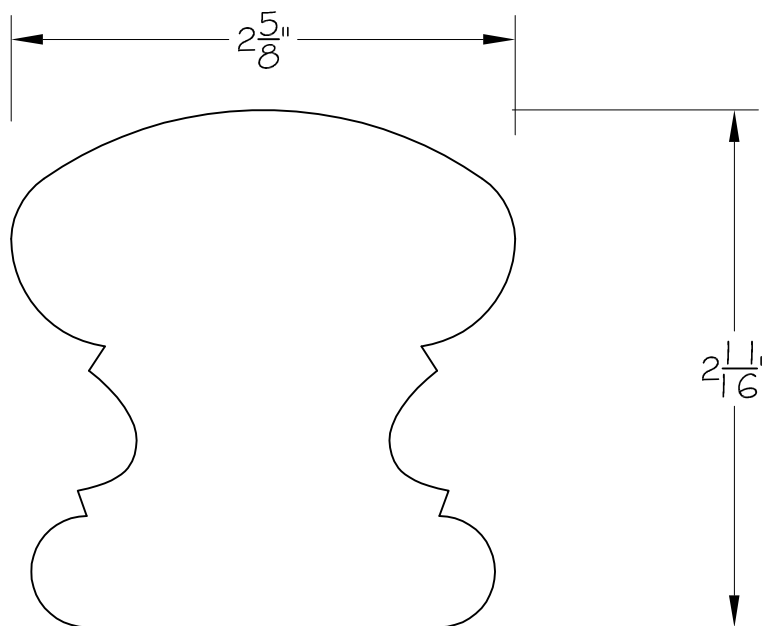
Width: 2 5/8"

Width Adjustable: no

24E Dorset Mill Road
Exeter, R.I. 02822
Phone: (401) 294-2235
Fax: (401) 295-1086
www.hdistair.com

Notes:

THIS HANDRAIL PROFILE MEETS TYPE II REQUIREMENTS. CODE REFERENCE R311.7.8.3 GRIP-SIZE, 2012 IRC.



(X) HD BL 31 RAIL PROFILE
FULL SCALE



Profile: HD BL 32

Height: 1 3/4"

Width: 2 1/2"

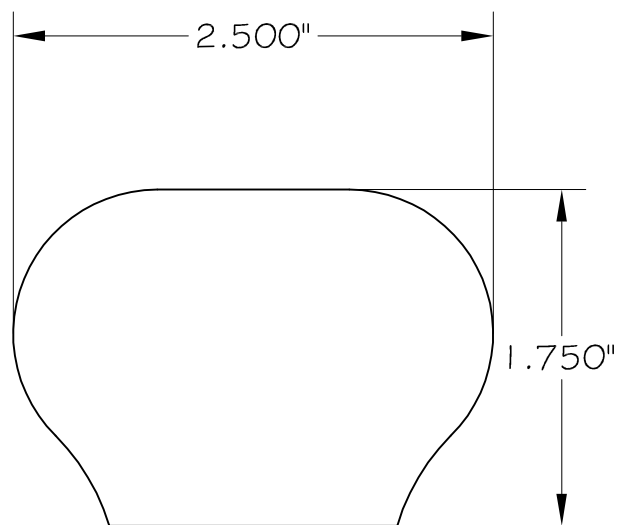
Width Adjustable: Yes

24E Dorset Mill Road
Exeter, R.I. 02822
Phone: (401) 294-2235
Fax: (401) 295-1086
www.hdistair.com

Notes:

THIS HANDRAIL PROFILE MEETS TYPE II REQUIREMENTS. CODE REFERENCE R311.7.8.3 GRIP-SIZE, 2012 IRC.

FULL RAIL SECTION



(X) HD BL 32 RAIL PROFILE
FULL SCALE



Profile: HD BL 33

Height: 2 1/8"

Width: 3"

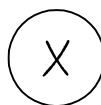
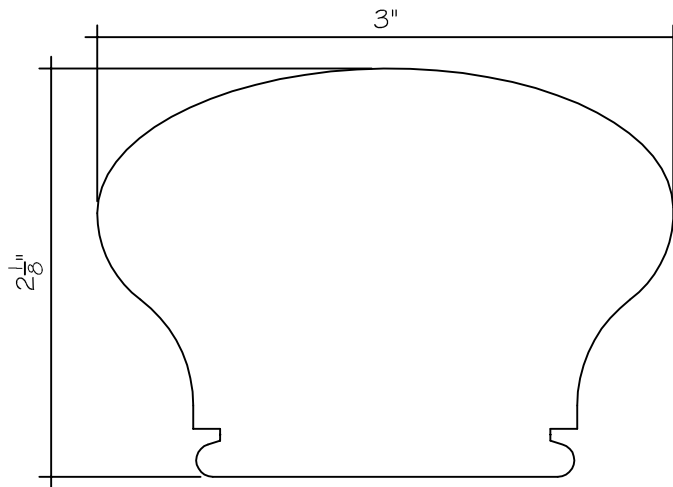
Width Adjustable:

24E Dorset Mill Road
Exeter, R.I. 02822
Phone: (401) 294-2235
Fax: (401) 295-1086
www.hdistair.com

Notes:

THIS HANDRAIL PROFILE DOES NOT MEET TYPE II REQUIREMENTS BUT IT MAY BE DETERMINED BY THE BUILDING INSPECTOR THAT IT PROVIDES EQUIVALENT GRASPABILITY . CODE REFERENCE R311.7.8.3 GRIP-SIZE, 2012 IRC.

FULL RAIL SECTION



HD BL 33 RAIL PROFILE

FULL SCALE



Profile: HD BL 34

Height: 2"

Width: 2 3/4"

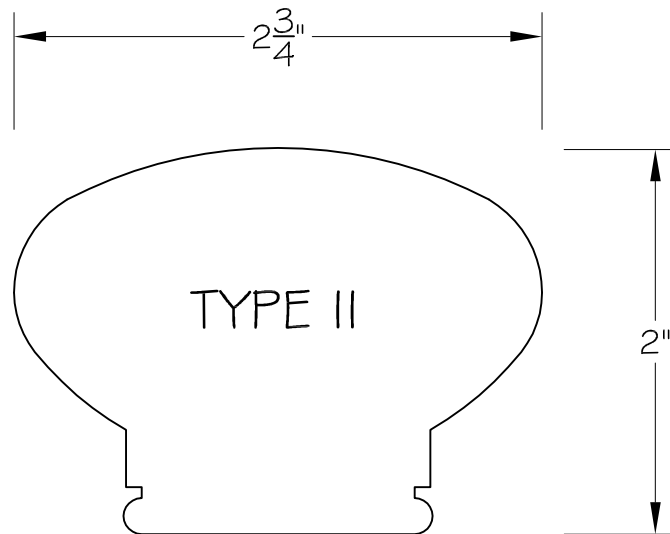
Width Adjustable:

24E Dorset Mill Road
Exeter, R.I. 02822
Phone: (401) 294-2235
Fax: (401) 295-1086
www.hdistair.com

Notes:

THIS HANDRAIL PROFILE MEETS TYPE II REQUIREMENTS. CODE REFERENCE R311.7.8.3 GRIP-SIZE, 2012 IRC.

FULL RAIL SECTION



BL 34 HANDRAIL

FULL SCALE